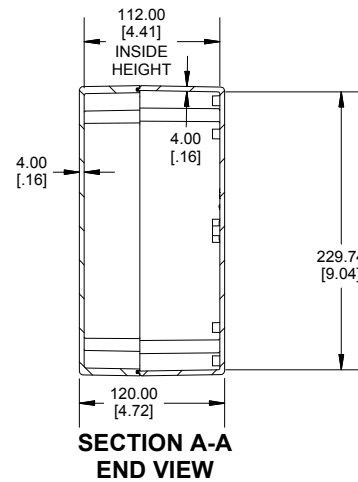
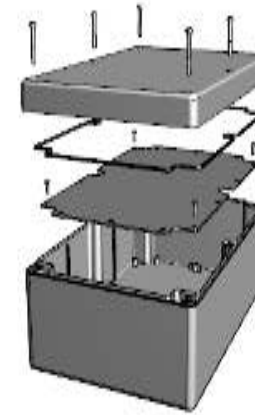


TOP VIEW



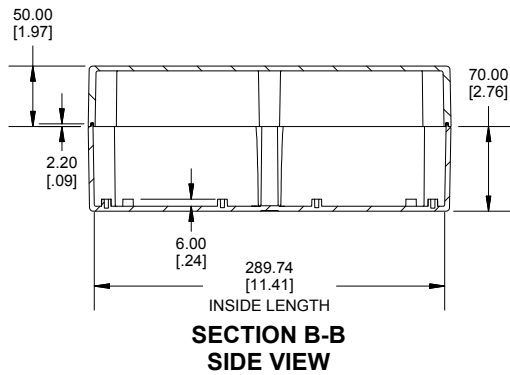
SECTION A-A
END VIEW



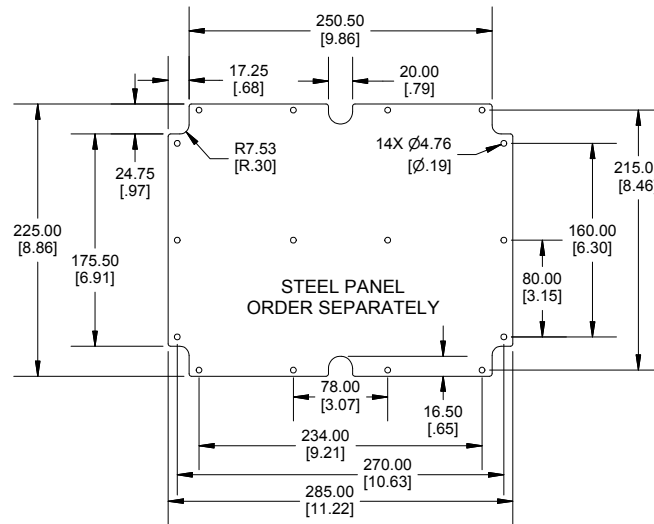
POLYCARBONATE
VERSION ONLY



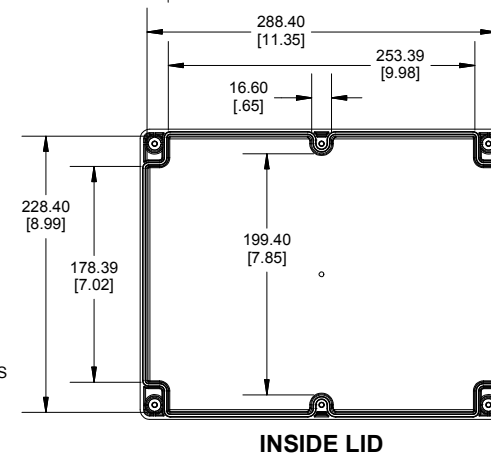
Enclosures can be Factory Modified (Milling, Drilling, Printing etc.)
Contact Factory mjm@hammondmfg.com for quotes
Solid models of this enclosure available in STEP or IGES.
(Part number and text placement/orientation on our products are subject to change, we do not recommend using them as a locating reference for modification purposes)



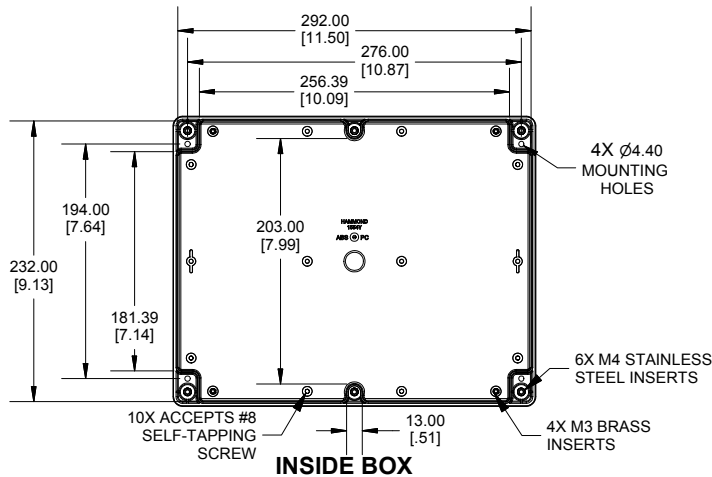
SECTION B-B
SIDE VIEW



STEEL PANEL
ORDER SEPARATELY



INSIDE LID



INSIDE BOX

NOTE	
Purchased assembly includes box, lid, 6 cover screws, and preformed silicone gasket.	
General Purpose ABS version is not UL approved. (Matl UL94 - HB)	
Polycarbonate version is UL 508A approved. (Matl UL94 - 5VA @ 3mm)	
Recommended Cover screw torque -- 8-9 lbf-in (90-100 cN-m)	

1554YA	
1554YA Regular Enclosure	
General Purpose ABS RAL-7035	1554YAGY
Polycarbonate RAL-7035	1554YA2GY
1554YA Clear / Smoke Lid Enclosure	
Polycarbonate Box / Clear Polycarbonate Lid	1554YA2GYCL
Polycarbonate Box / Smoke Polycarbonate Lid	1554YA2GYSL
ACCESSORIES	
Steel Inner Panels	1554YPL
Steel Panel / P.C. Board Screw [M3-0.5 x 8mm Plated] (Pkg 100)	1591MM100
Steel Panel / P.C. Board Self Tapping Screw [#8 X 5/16" (6.4mm)]	SC554-100
Stainless Steel Cover Screws [M4-0.7 X 25mm] (Pkg 50)	SC583-50
Silicone Pre-formed Gasket Black (Pkg 2)	1554YGASKET

**HAMMOND
MANUFACTURING**

1554YA

www.hammondmfg.com

Dimensions:
mm
[inches]