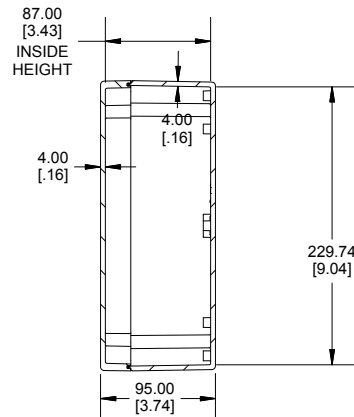
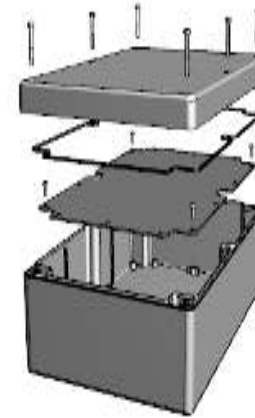


TOP VIEW

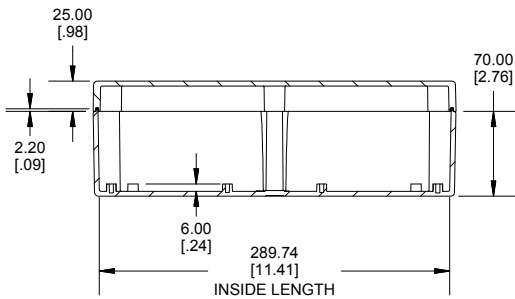


SECTION A-A
END VIEW

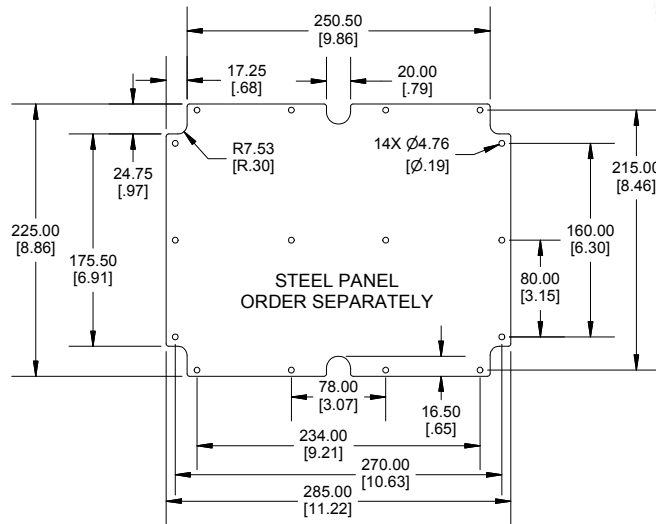


POLYCARBONATE
VERSION ONLY
 US LISTED
 FILE #E65324
 TYPE 4,4X,6,6P

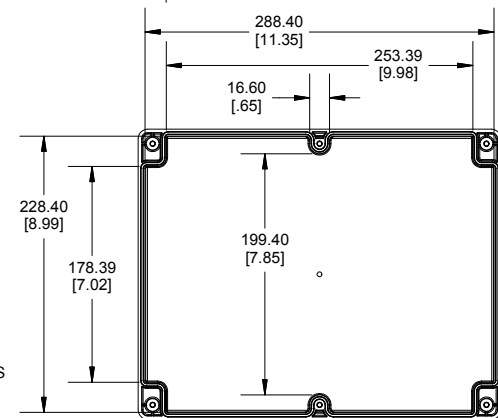
Enclosures can be Factory Modified (Milling, Drilling, Printing etc.)
 Contact Factory mjm@hammondmfg.com for quotes
 Solid models of this enclosure available in STEP or IGES.
 (Part number and text placement/orientation on our products are subject to change,
 we do not recommend using them as a locating reference for modification purposes)



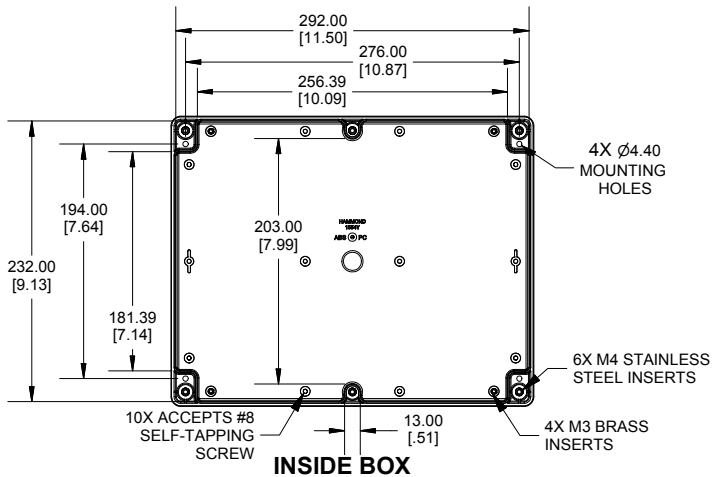
SECTION B-B
SIDE VIEW



STEEL PANEL
ORDER SEPARATELY



INSIDE LID



INSIDE BOX

NOTE

Purchased assembly includes box, lid, 6 cover screws, and preformed silicone gasket.
 General Purpose ABS version is not UL approved. (Matl UL94 - HB)
 Polycarbonate version is UL 508A approved. (Matl UL94 - 5VA @ 3mm)

Recommended Cover screw torque -- 43-57 ozf-in (30-40 cN-m)

1554Y	
1554Y Regular Enclosure	
General Purpose ABS RAL-7035	1554YGY
Polycarbonate RAL-7035	1554Y2GY
1554Y Clear / Smoke Lid Enclosure	
Polycarbonate Box / Clear Polycarbonate Lid	1554Y2GYCL
Polycarbonate Box / Smoke Polycarbonate Lid	1554Y2GYSL
ACCESSORIES	
Steel Inner Panels	1554YPL
Steel Panel / P.C. Board Screw [M3-0.5 x 8mm Plated] (Pkg 100)	1591MM100
Steel Panel / P.C. Board Self Tapping Screw [#8 X 5/16" (6.4mm)]	SC554-100
Stainless Steel Cover Screws [M4-0.7 X 25mm] (Pkg 50)	SC583-50
Silicone Pre-formed Gasket Black (Pkg 2)	1554YGASKET



1554Y
www.hammondmfg.com

Dimensions:
 mm
 [inches]