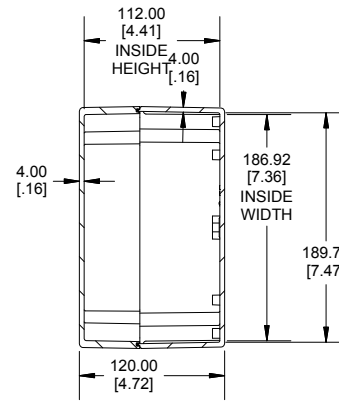
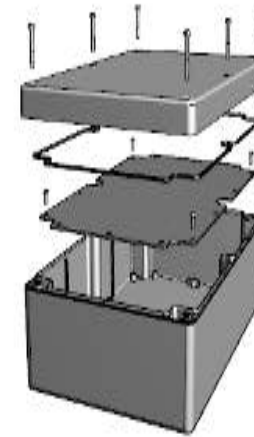


TOP VIEW

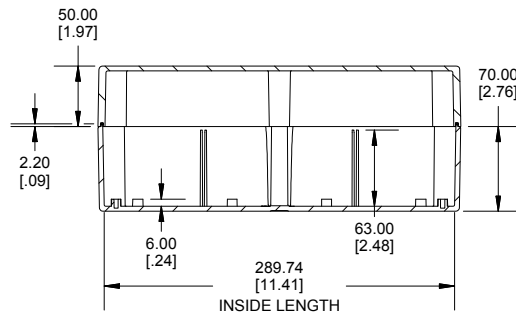


SECTION A-A  
END VIEW

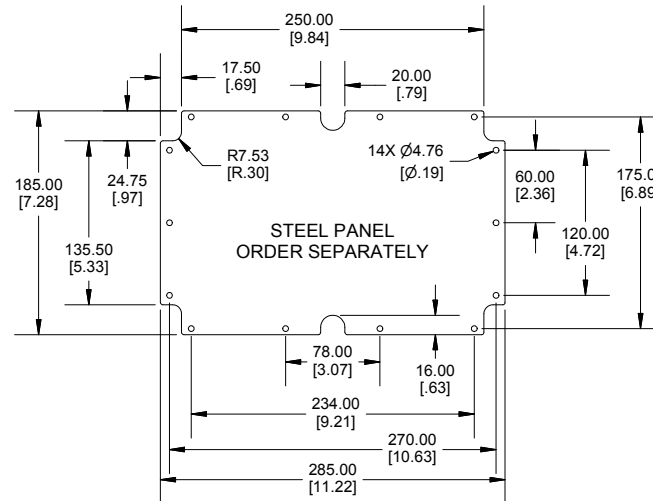


POLYCARBONATE  
VERSION ONLY

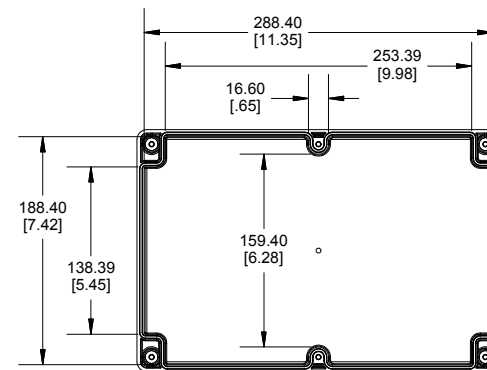
UL US LISTED  
FILE #E65324  
TYPE 4,4X,6,6P



SECTION B-B  
SIDE VIEW



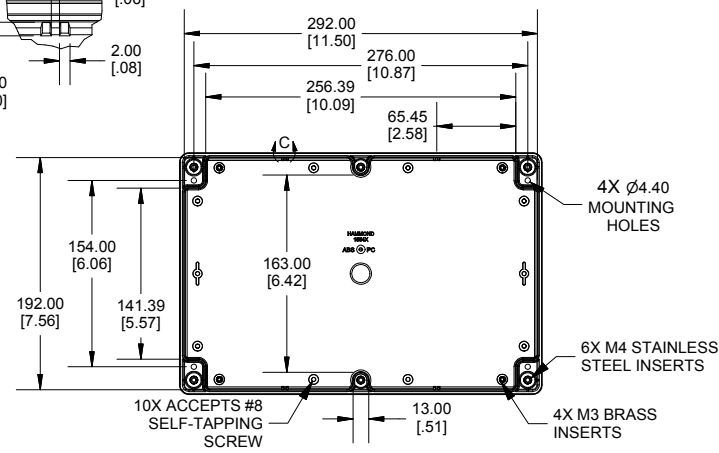
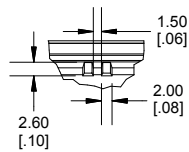
STEEL PANEL  
ORDER SEPARATELY



INSIDE LID

Dimensions:  
mm  
[inches]

DETAIL C



INSIDE BOX

Enclosures can be Factory Modified ( Milling, Drilling, Printing etc.)  
Contact Factory [mjm@hammondmfg.com](mailto:mjm@hammondmfg.com) for quotes  
Solid models of this enclosure available in STEP or IGES.  
(Part number and text placement/orientation on our products are subject to change, we do not recommend using them as a locating reference for modification purposes)

**NOTE**

Purchased assembly includes box, lid, 6 cover screws, and preformed silicone gasket.  
General Purpose ABS version is not UL approved. (Matl UL94 - HB)  
Polycarbonate version is UL 508A approved. (Matl UL94 - 5VA @ 3mm)

**Recommended Cover screw torque -- 8-9 lbf-in (90-100 cN-m)**

1554XA	
1554XA Regular Enclosure	
General Purpose ABS RAL-7035	1554XAGY
Polycarbonate RAL-7035	1554XA2GY
1554XA Clear / Smoke Lid Enclosure	
Polycarbonate Box / Clear Polycarbonate Lid	1554XA2GYCL
Polycarbonate Box / Smoke Polycarbonate Lid	1554XA2GYSL
ACCESSORIES	
Steel Inner Panels	1554XPL
Steel Panel / P.C. Board Screw [M3-0.5 x 8mm Plated] (Pkg 100)	1591MM100
Steel Panel / P.C. Board Self Tapping Screw [#8 X 5/16" (6.4mm)]	SC554-100
Stainless Steel Cover Screws [M4-0.7 X 25mm] (Pkg 50)	SC583-50
Silicone Pre-formed Gasket Black (Pkg 2)	1554XGASKET

**HAMMOND  
MANUFACTURING**

**1554XA**

[www.hammondmfg.com](http://www.hammondmfg.com)