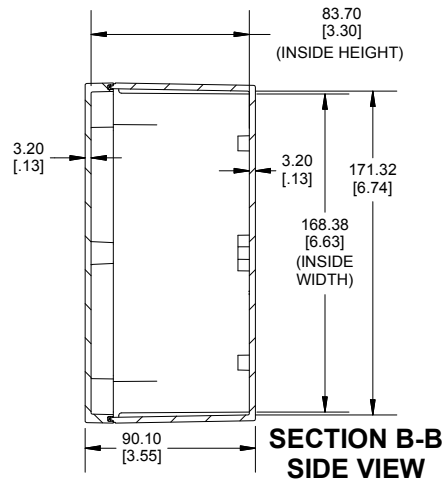
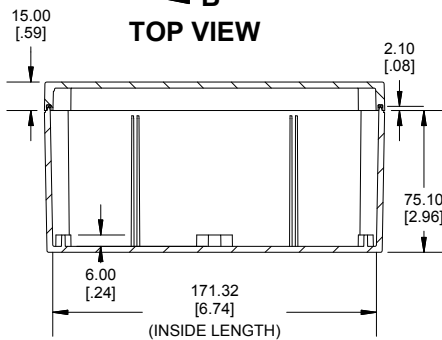


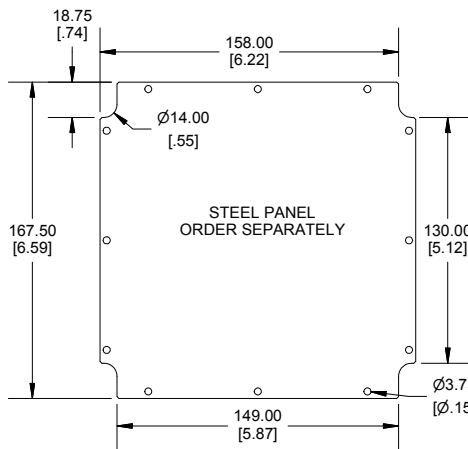
**TOP VIEW**



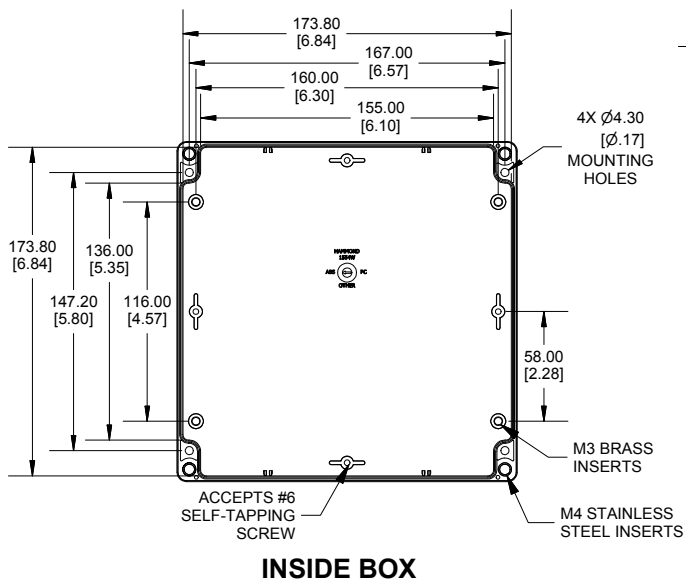
**SECTION B-B SIDE VIEW**



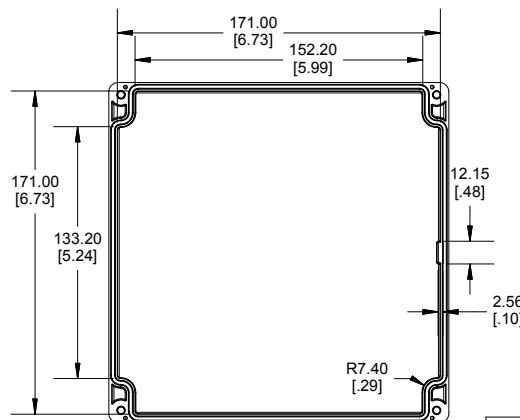
**SECTION A-A SIDE VIEW**



**STEEL PANEL ORDER SEPARATELY**



**INSIDE BOX**



**INSIDE LID**

**Dimensions:**  
mm  
[inches]

POLYCARBONATE VERSION ONLY  
 **UL LISTED**  
 FILE #E65324  
 TYPE 4,4X,6,6P

Enclosures can be Factory Modified ( Milling, Drilling, Printing etc.)  
 Contact Factory [mjm@hammondmfg.com](mailto:mjm@hammondmfg.com) for quotes  
 Solid models of this enclosure available in STEP or IGES.  
 (Part number and text placement/orientation on our products are subject to change, we do not recommend using them as a locating reference for modification purposes)

**NOTE**  
 Purchased assembly includes box, lid, 4 cover screws, and preformed silicone gasket.  
 General Purpose ABS version is not UL approved. (Matl UL94 - HB)  
 Polycarbonate version is UL 508A approved. (Matl UL94 - 5VA @ 3mm)  
**Recommended Cover screw torque -- 43-57 ozf-in (30-40 cN-m)**

<b>1554WA</b>	
<b>1554WA Regular Enclosure</b>	
General Purpose ABS RAL-7035	1554WAGY
Polycarbonate RAL-7035	1554WA2GY
<b>1554WA Clear / Smoke Lid Enclosure</b>	
Polycarbonate Box / Clear Polycarbonate Lid	1554WA2GYCL
Polycarbonate Box / Smoke Polycarbonate Lid	1554WA2GYSL
<b>ACCESSORIES</b>	
Steel Inner Panels	1554WPL
Steel Panel / P.C. Board Screw [M3-0.5 x 8mm Plated] (Pkg 100)	1591MM100
Steel Panel / P.C. Board Self Tapping Screw [#6 X 1/4" (6.4mm) Plated] (Pkg 100)	1598ATS100
Stainless Steel Cover Screws [M4-0.7 X 20mm] (Pkg 50)	SC576-50
Silicone Pre-formed Gasket Black (Pkg 2)	1554WGASKET



**HAMMOND MANUFACTURING®**  
**1554WA**  
[www.hammondmfg.com](http://www.hammondmfg.com)