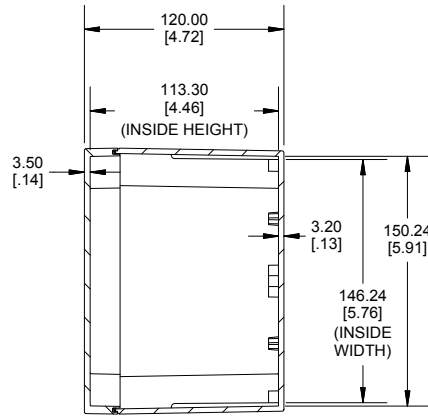
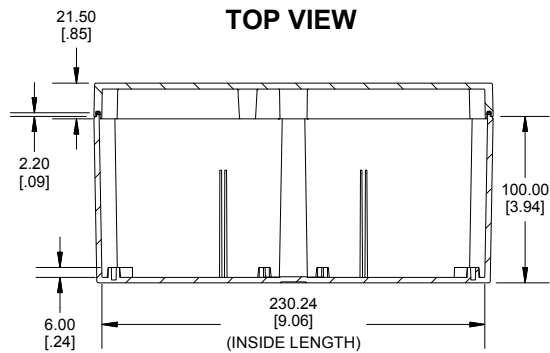


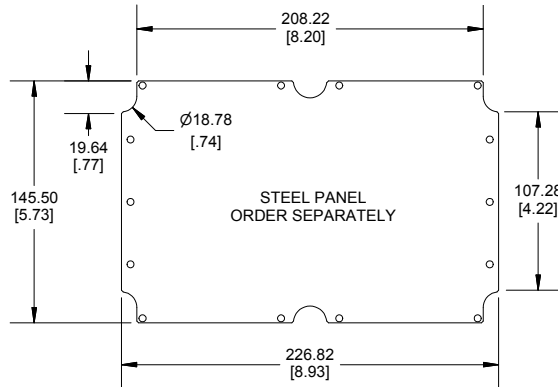
**TOP VIEW**



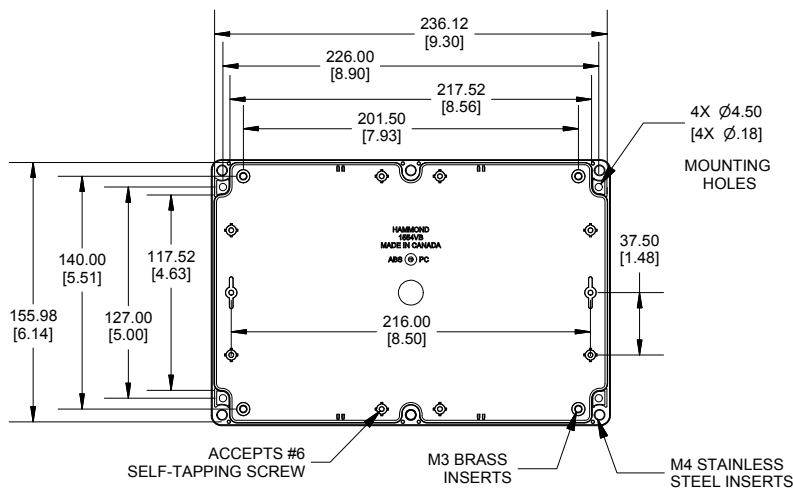
**SECTION B-B  
END VIEW**



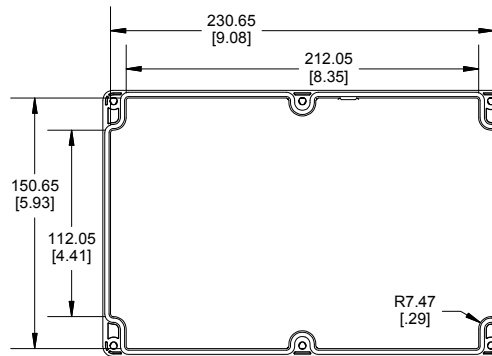
**SECTION A-A  
SIDE VIEW**



**STEEL PANEL  
ORDER SEPARATELY**



**INSIDE BOX**



**INSIDE LID**

**Dimensions:**  
mm  
[inches]

POLYCARBONATE  
VERSION ONLY



Enclosures can be Factory Modified ( Milling, Drilling, Printing etc.)  
Contact Factory [mjm@hammondmfg.com](mailto:mjm@hammondmfg.com) for quotes  
Solid models of this enclosure available in STEP or IGES.  
(Part number and text placement/orientation on our products are subject to change,  
we do not recommend using them as a locating reference for modification purposes)

**NOTE**

Purchased assembly includes box, lid, 6 cover screws, and preformed silicone gasket.  
General Purpose ABS version is not UL approved. (Matl UL94 - HB)  
Polycarbonate version is UL 508A approved. (Matl UL94 - 5VA @ 3mm)  
**Recommended Cover screw torque -- 71-85 ozf-in (50-60 cN-m)**

<b>1554VB</b>	
<b>1554VB Regular Enclosure</b>	
General Purpose ABS RAL-7035	1554VBGY
Polycarbonate RAL-7035	1554VB2GY
<b>1554VB Clear / Smoke Lid Enclosure</b>	
Polycarbonate Box / Clear Polycarbonate Lid	1554VB2GYCL
Polycarbonate Box / Smoke Polycarbonate Lid	1554VB2GYSL
<b>ACCESSORIES</b>	
Steel Inner Panels	1554VAPL
Steel Panel / P.C. Board Screw [M3-0.5 x 8mm Plated] (Pkg 100)	1591MM100
Steel Panel / P.C. Board Self Tapping Screw [#6 X 1/4" (6.4mm) Plated] (Pkg 100)	1598ATS100
Stainless Steel Cover Screws [M4-0.7 X 25mm] (Pkg 50)	SC583-50
Silicone Pre-formed Gasket Black (Pkg 2)	1554VAGASKET

**HAMMOND  
MANUFACTURING®**

**1554VB**

[www.hammondmfg.com](http://www.hammondmfg.com)