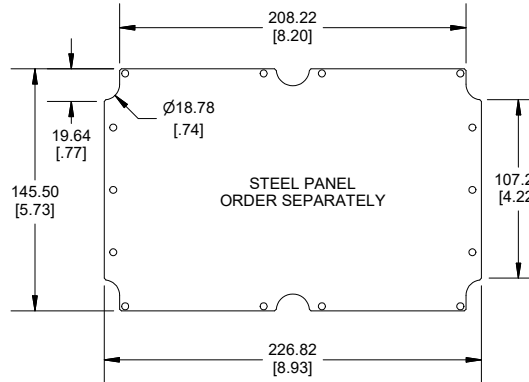
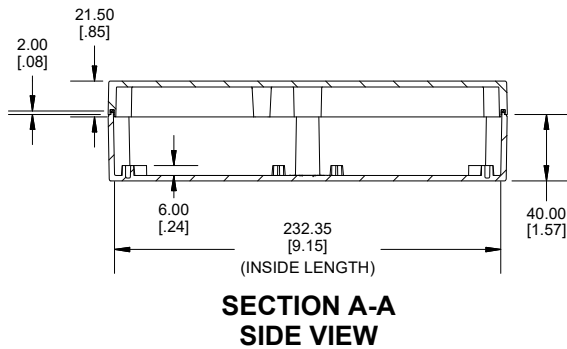


POLYCARBONATE VERSION ONLY

UL US LISTED
FILE #E65324
TYPE 4.4X.6.6P

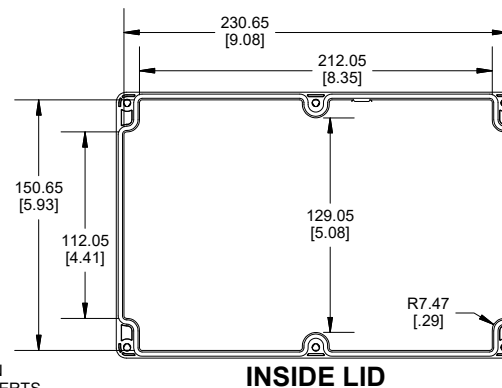
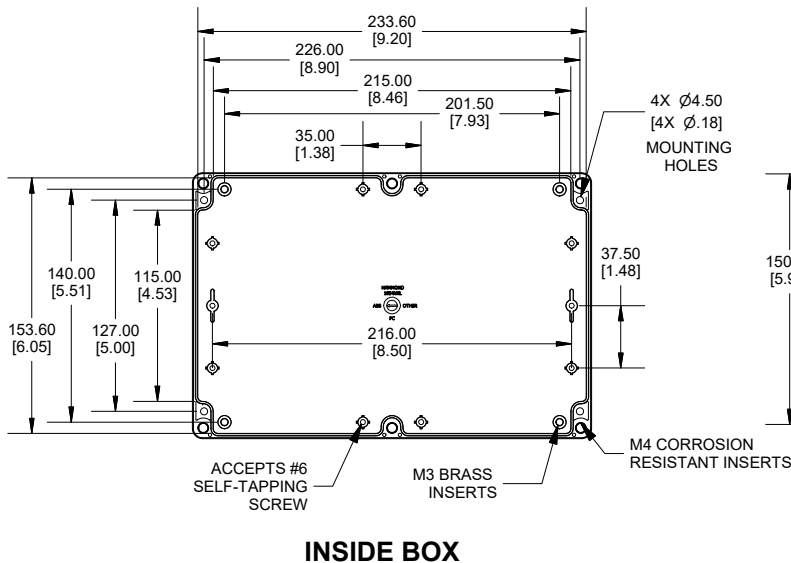


Enclosures can be Factory Modified (Milling, Drilling, Printing etc.)
Contact Factory (modshop@hammfg.com) for quotes
Solid models of this enclosure available in .stp or .x_t
(Part number and text placement/orientation on our products are subject to change, we do not recommend using them as a locating reference for modification purposes)

NOTE

Purchased assembly includes box, lid, 6 cover screws, and preformed silicone gasket.
General Purpose ABS version is not UL approved. (Matl UL94 - HB)
Polycarbonate version is UL 508A approved. (Matl UL94 - 5VA @ 3mm)

Recommended Cover screw torque -- 71-85 ozf-in (50-60 cN-m)



1554VAL	
1554VAL Regular Enclosure	
General Purpose ABS RAL-7035	1554VALGY
Polycarbonate RAL-7035	1554VAL2GY
1554VAL Clear / Smoke Lid Enclosure	
Polycarbonate Box / Clear Polycarbonate Lid	1554VAL2GYCL
Polycarbonate Box / Smoke Polycarbonate Lid	1554VAL2GYSL
ACCESSORIES	
Steel Inner Panels	1554VAPL
Steel Panel / P.C. Board Screw [M3-0.5 x 8mm Plated] (Pkg 100)	1591MM100
Steel Panel / P.C. Board Self Tapping Screw [#6 X 1/4" (6.4mm) Plated] (Pkg 100)	1598ATS100
Stainless Steel Cover Screws [M4-0.7 X 25mm] (Pkg 50)	SC583-50
Silicone Pre-formed Gasket Black (Pkg 2)	1554VAGASKET

HAMMOND MANUFACTURING.

1554VAL

www.hammondmfg.com

Dimensions:
mm
[inches]