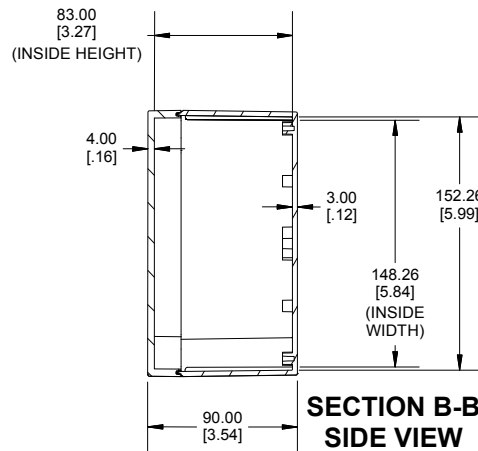
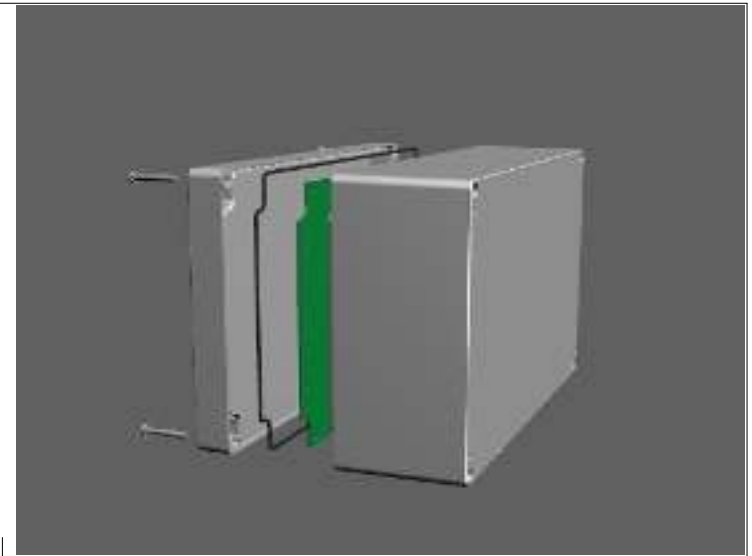


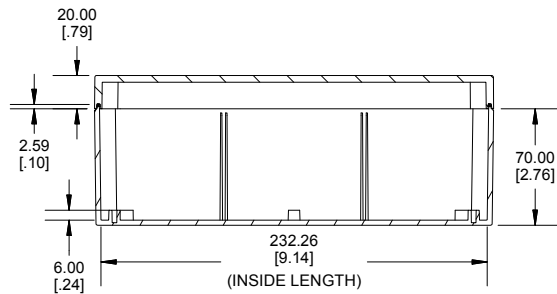
**TOP VIEW**



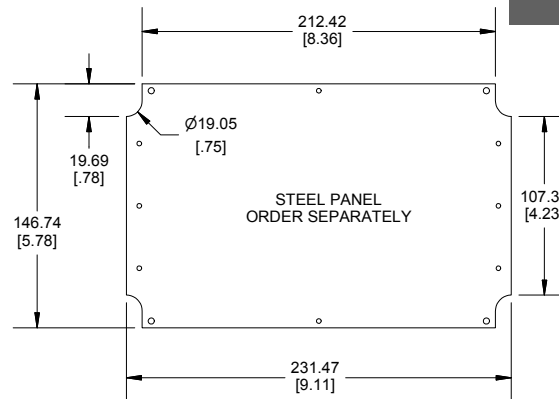
**SECTION B-B  
SIDE VIEW**



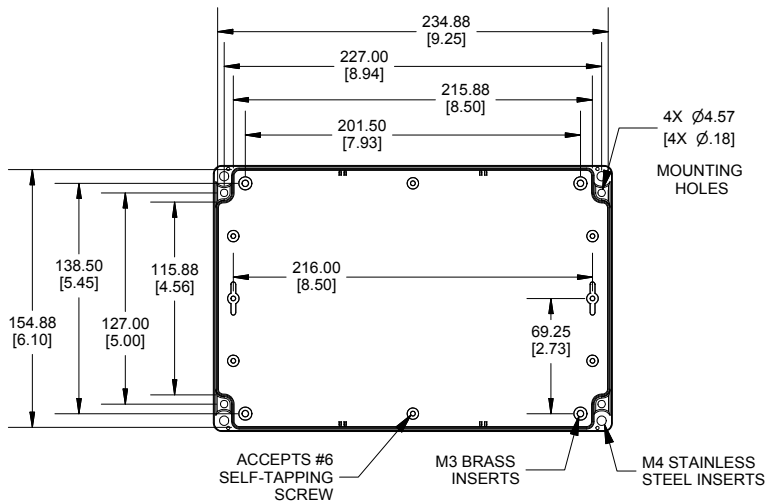
POLYCARBONATE  
VERSION ONLY  
 **US LISTED**  
 FILE #E65324  
 TYPE 4, 4X



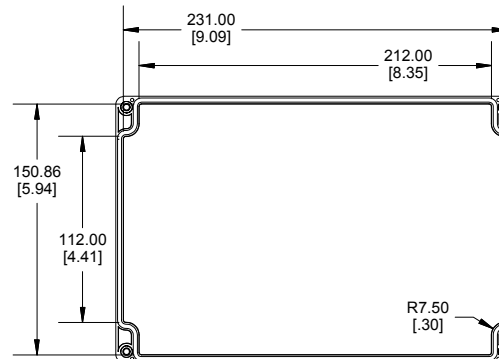
**SECTION A-A  
SIDE VIEW**



STEEL PANEL  
ORDER SEPARATELY



**INSIDE BOX**



**INSIDE LID**

Enclosures can be Factory Modified ( Milling, Drilling, Printing etc.)  
 Contact Factory [mjm@hammondmfg.com](mailto:mjm@hammondmfg.com) for quotes  
 Solid models of this enclosure available in STEP or IGES.  
 (Part number and text placement/orientation on our products are subject to change,  
 we do not recommend using them as a locating reference for modification purposes)

**NOTE**  
 Purchased assembly includes box, lid, 4 cover screws, and preformed silicone gasket.  
 General Purpose ABS version is not UL approved. (Matl UL94 - HB)  
 Polycarbonate version is UL 508A approved. (Matl UL94 - 5VA @ 3mm)  
**Recommended Cover screw torque -- 71-85 ozf-in (50-60 cN-m)**

1554V	
1554V Regular Enclosure	
General Purpose ABS RAL-7035	1554VGY
Polycarbonate RAL-7035	1554V2GY
1554V Clear / Smoke Lid Enclosure	
Polycarbonate Box / Clear Polycarbonate Lid	1554V2GYCL
Polycarbonate Box / Smoke Polycarbonate Lid	1554V2GYSL
ACCESSORIES	
Steel Inner Panels	1554VPL
Steel Panel / P.C. Board Screw [M3-0.5 x 8mm Plated] (Pkg 100)	1591MM100
Steel Panel / P.C. Board Self Tapping Screw [#6 X 1/4" (6.4mm) Plated] (Pkg 100)	1598ATS100
Stainless Steel Cover Screws [M4-0.7 X 25mm] (Pkg 50)	SC583-50
Silicone Pre-formed Gasket Black (Pkg 2)	1554VGASKET

Dimensions:  
mm  
[inches]



**HAMMOND  
MANUFACTURING®**  
**1554V**  
[www.hammondmfg.com](http://www.hammondmfg.com)