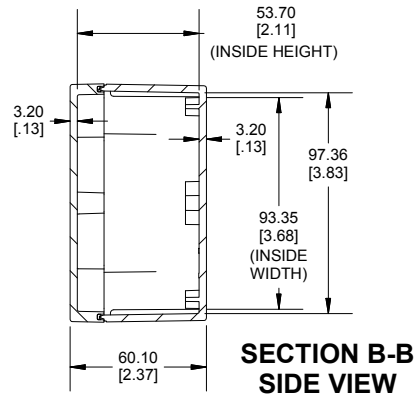
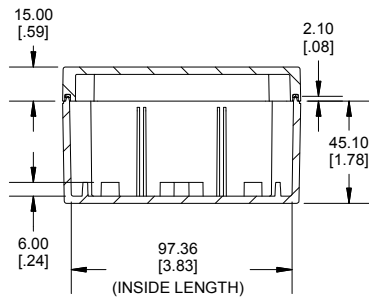
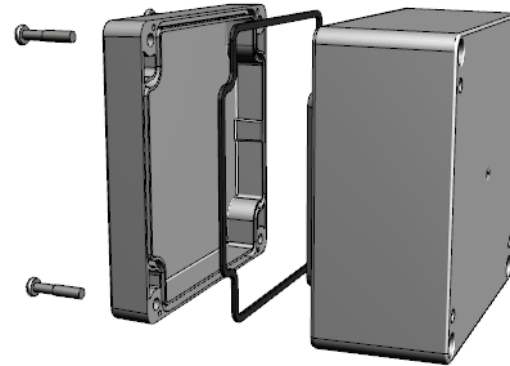


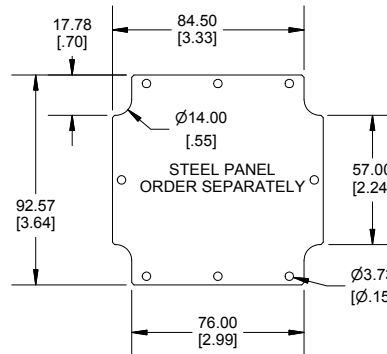
TOP VIEW



**SECTION B-B
SIDE VIEW**



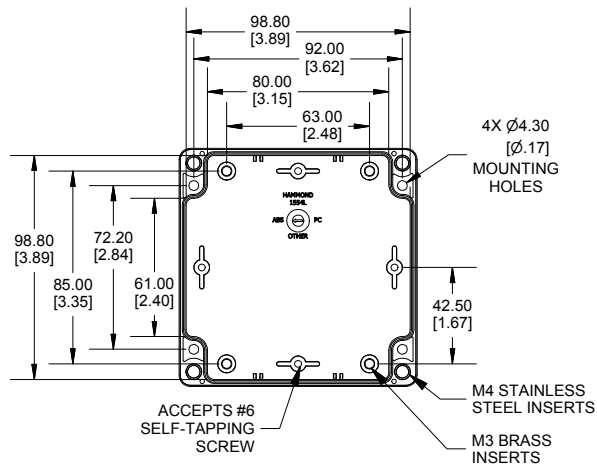
**SECTION A-A
SIDE VIEW**



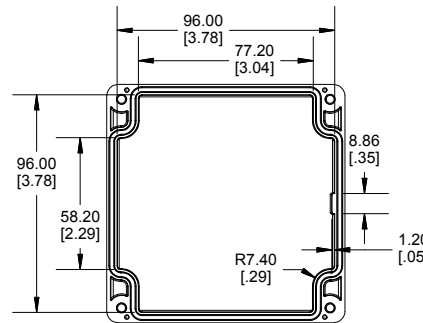
POLYCARBONATE
VERSION ONLY
UL LISTED
FILE #E65324
TYPE 4,4X,6,6P

Enclosures can be Factory Modified (Milling, Drilling, Printing etc.)
Contact Factory mjm@hammondmfg.com for quotes
Solid models of this enclosure available in STEP or IGES.
(Part number and text placement/orientation on our products are subject to change, we do not recommend using them as a locating reference for modification purposes)

NOTE
Purchased assembly includes box, lid, 4 cover screws, and preformed silicone gasket.
General Purpose ABS version is not UL approved. (Matl UL94 - HB)
Polycarbonate version is UL 508A approved. (Matl UL94 - 5VA @ 3mm)
Recommended Cover screw torque -- 43-57 ozf-in (30-40 cN-m)



INSIDE BOX



INSIDE LID

Dimensions:
mm
[inches]

| 1554L | |
|--|-------------|
| 1554L Regular Enclosure | |
| General Purpose ABS RAL-7035 | 1554LGY |
| Polycarbonate RAL-7035 | 1554L2GY |
| 1554L Clear / Smoke Lid Enclosure | |
| Polycarbonate Box / Clear Polycarbonate Lid | 1554L2GYCL |
| Polycarbonate Box / Smoke Polycarbonate Lid | 1554L2GYSL |
| ACCESSORIES | |
| Steel Inner Panels | 1554LPL |
| Steel Panel / P.C. Board Screw [M3-0.5 x 8mm Plated] (Pkg 100) | 1591MM100 |
| Steel Panel / P.C. Board Self Tapping Screw [#6 X 1/4" (6.4mm) Plated] (Pkg 100) | 1598ATS100 |
| Stainless Steel Cover Screws [M4-0.7 X 20mm] (Pkg 50) | SC576-50 |
| Silicone Pre-formed Gasket Black (Pkg 2) | 1554LGASKET |

**HAMMOND
MANUFACTURING®**
1554L
www.hammondmfg.com