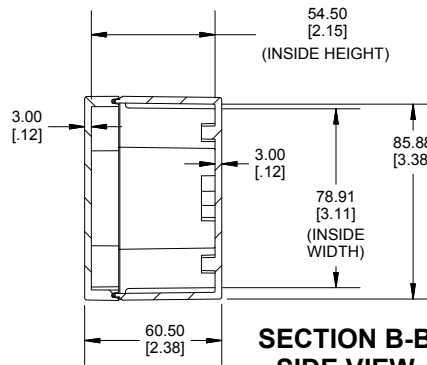


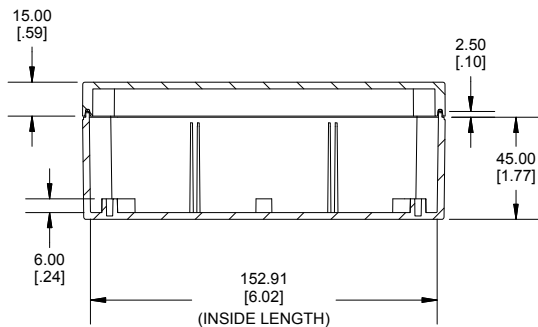
**TOP VIEW**



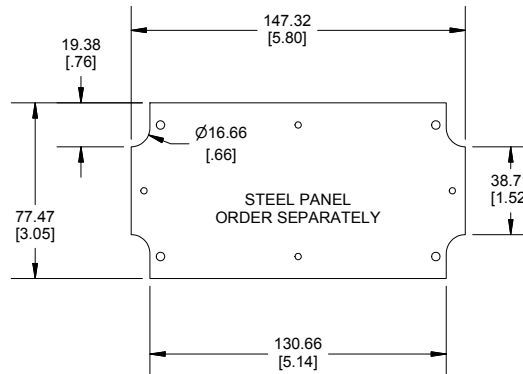
**SECTION B-B  
SIDE VIEW**



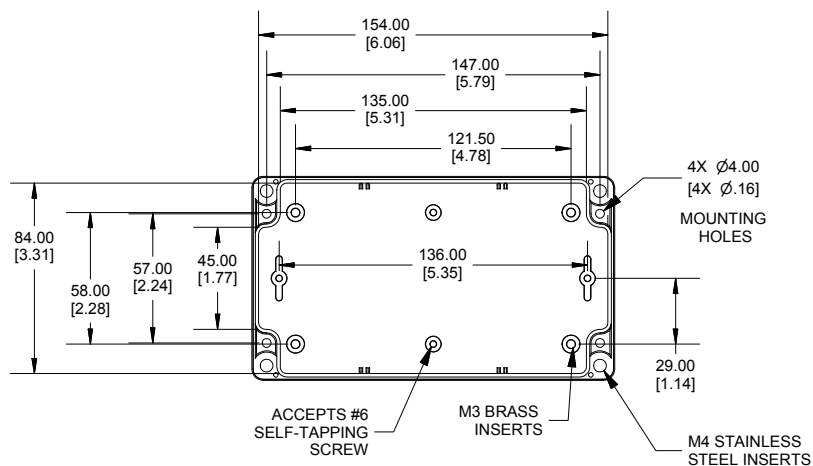
POLYCARBONATE  
VERSION ONLY  
 **US LISTED**  
 FILE #E65324  
 TYPE 4,4X,6,6P



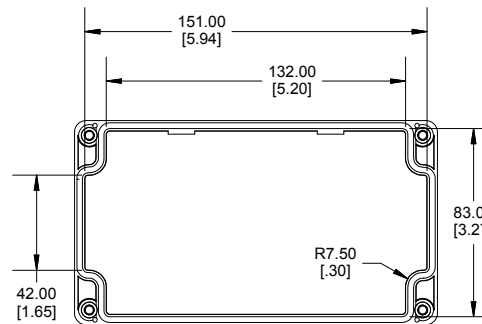
**SECTION A-A  
SIDE VIEW**



**STEEL PANEL  
ORDER SEPARATELY**



**INSIDE BOX**



**INSIDE LID**

Enclosures can be Factory Modified ( Milling, Drilling, Printing etc.)  
 Contact Factory [mjm@hammondmfg.com](mailto:mjm@hammondmfg.com) for quotes  
 Solid models of this enclosure available in STEP or IGES.  
 (Part number and text placement/orientation on our products are subject to change,  
 we do not recommend using them as a locating reference for modification purposes)

**NOTE**

Purchased assembly includes box, lid, 4 cover screws, and preformed silicone gasket.  
 General Purpose ABS version is not UL approved. (Matl UL94 - HB)  
 Polycarbonate version is UL 508A approved. (Matl UL94 - 5VA @ 3mm)

**Recommended Cover screw torque -- 43-57 ozf-in (30-40 cN-m)**

| <b>1554J</b>  |             |
|---|-------------|
| <b>1554J Regular Enclosure</b>  |             |
| General Purpose ABS RAL-7035  | 1554JGY     |
| Polycarbonate RAL-7035  | 1554J2GY    |
| <b>1554J Clear / Smoke Lid Enclosure</b>  |             |
| Polycarbonate Box / Clear Polycarbonate Lid   | 1554J2GYCL  |
| Polycarbonate Box / Smoke Polycarbonate Lid   | 1554J2GYSL  |
| <b>ACCESSORIES</b>  |             |
| Steel Inner Panels  | 1554JPL     |
| Steel Panel / P.C. Board Screw<br>[M3-0.5 x 8mm Plated] (Pkg 100)                   | 1591MM100   |
| Steel Panel / P.C. Board Self Tapping Screw<br>[#6 X 1/4" (6.4mm) Plated] (Pkg 100) | 1598ATS100  |
| Stainless Steel Cover Screws<br>[M4-0.7 X 20mm] (Pkg 50)                            | SC576-50    |
| Silicone Pre-formed Gasket Black (Pkg 2)  | 1554JGASKET |

**Dimensions:**  
 mm  
 [inches]

 **HAMMOND  
MANUFACTURING®**  
**1554J**  
[www.hammondmfg.com](http://www.hammondmfg.com)