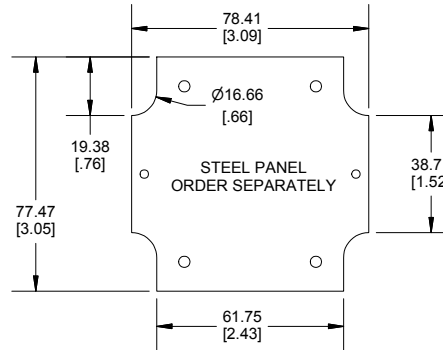
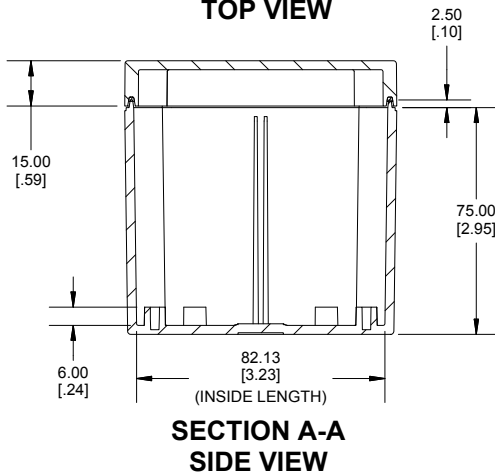


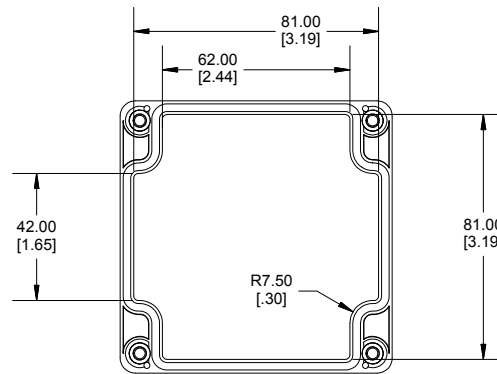
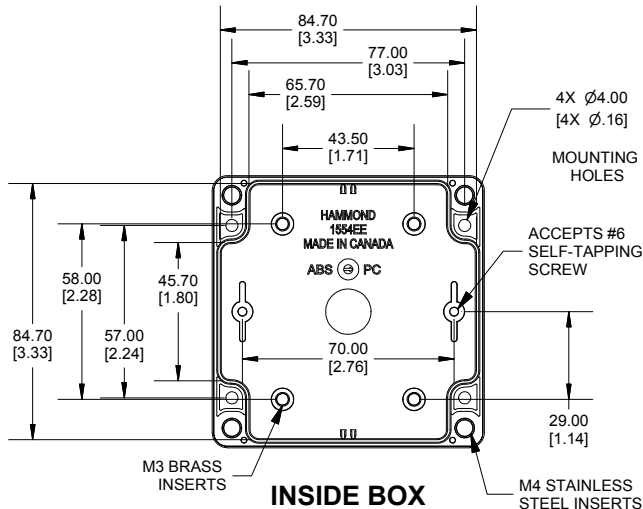
POLYCARBONATE  
VERSION ONLY

**UL** US LISTED  
FILE #E65324  
TYPE 4,4X,6,6P



Enclosures can be Factory Modified ( Milling, Drilling, Printing etc.)  
Contact Factory [mjm@hammondmfg.com](mailto:mjm@hammondmfg.com) for quotes  
Solid models of this enclosure available in STEP or IGES.  
(Part number and text placement/orientation on our products are subject to change,  
we do not recommend using them as a locating reference for modification purposes)

**NOTE**  
Purchased assembly includes box, lid, 4 cover screws, and preformed silicone gasket.  
General Purpose ABS version is not UL approved. (Matl UL94 - HB)  
Polycarbonate version is UL 508A approved. (Matl UL94 - 5VA @ 3mm)  
**Recommended Cover screw torque -- 43-57 ozf-in (30-40 cN-m)**



Dimensions:  
mm  
[inches]

| 1554EE   |             |
|--|-------------|
| 1554EE Regular Enclosure   |             |
| General Purpose ABS RAL-7035   | 1554EEGY    |
| Polycarbonate RAL-7035   | 1554EE2GY   |
| 1554EE Clear / Smoke Lid Enclosure   |             |
| Polycarbonate Box / Clear Polycarbonate Lid                                      | 1554EE2GYCL |
| Polycarbonate Box / Smoke Polycarbonate Lid                                      | 1554EE2GYSL |
| ACCESSORIES  |             |
| Steel Inner Panels   | 1554EPL     |
| Steel Panel / P.C. Board Screw [M3-0.5 x 8mm Plated] (Pkg 100)                   | 1591MM100   |
| Steel Panel / P.C. Board Self Tapping Screw [#6 X 1/4" (6.4mm) Plated] (Pkg 100) | 1598ATS100  |
| Stainless Steel Cover Screws [M4-0.7 X 20mm] (Pkg 50)                            | SC576-50    |
| Silicone Pre-formed Gasket Black (Pkg 2)   | 1554EGASKET |

**HAMMOND MANUFACTURING**

**1554EE**

[www.hammondmfg.com](http://www.hammondmfg.com)