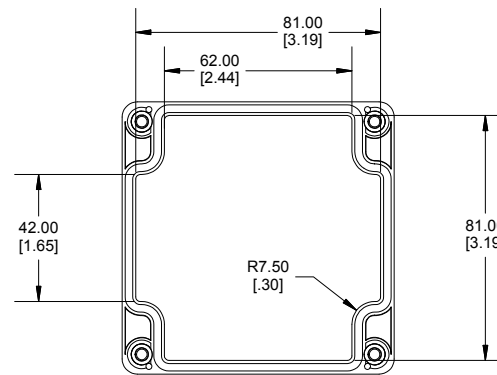
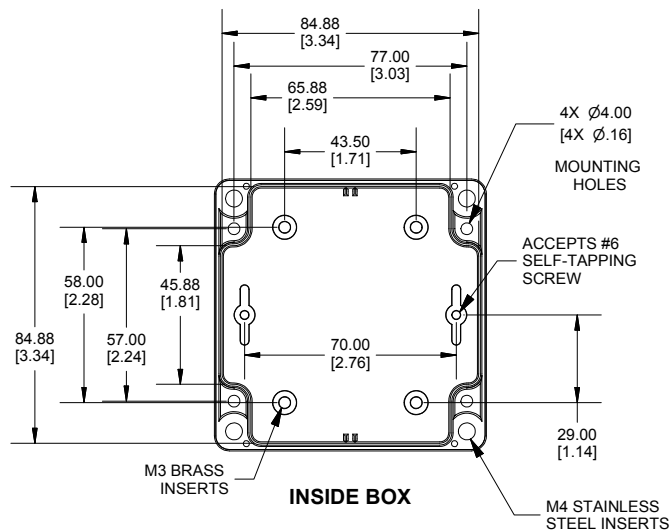


Enclosures can be Factory Modified ( Milling, Drilling, Printing etc.)  
 Contact Factory [mjm@hammondmg.com](mailto:mjm@hammondmg.com) for quotes  
 Solid models of this enclosure available in STEP or IGES.  
 (Part number and text placement/orientation on our products are subject to change,  
 we do not recommend using them as a locating reference for modification purposes)

**NOTE**  
 Purchased assembly includes box, lid, 4 cover screws, and preformed silicone gasket.  
 General Purpose ABS version is not UL approved. (Matl UL94 - HB)  
 Polycarbonate version is UL 508A approved. (Matl UL94 - 5VA @ 3mm)  
**Recommended Cover screw torque -- 43-57 ozf-in (30-40 cN-m)**



**Dimensions:**  
 mm  
 [inches]

1554E	
<b>1554E Regular Enclosure</b>	
General Purpose ABS RAL-7035	1554EGY
Polycarbonate RAL-7035	1554E2GY
<b>1554E Clear / Smoke Lid Enclosure</b>	
Polycarbonate Box / Clear Polycarbonate Lid	1554E2GYCL
Polycarbonate Box / Smoke Polycarbonate Lid	1554E2GYSL
<b>ACCESSORIES</b>	
Steel Inner Panels	1554EPL
Steel Panel / P.C. Board Screw [M3-0.5 x 8mm Plated] (Pkg 100)	1591MM100
Steel Panel / P.C. Board Self Tapping Screw [#6 X 1/4" (6.4mm) Plated] (Pkg 100)	1598ATS100
Stainless Steel Cover Screws [M4-0.7 X 20mm] (Pkg 50)	SC576-50
Silicone Pre-formed Gasket Black (Pkg 2)	1554EGASKET

