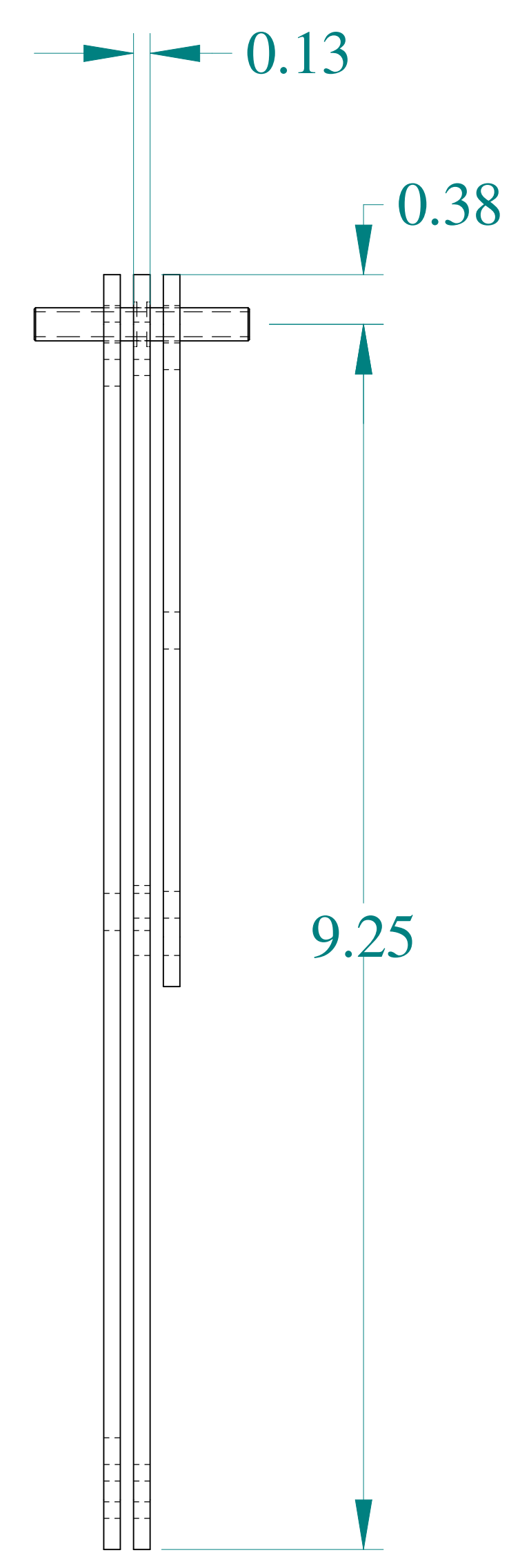
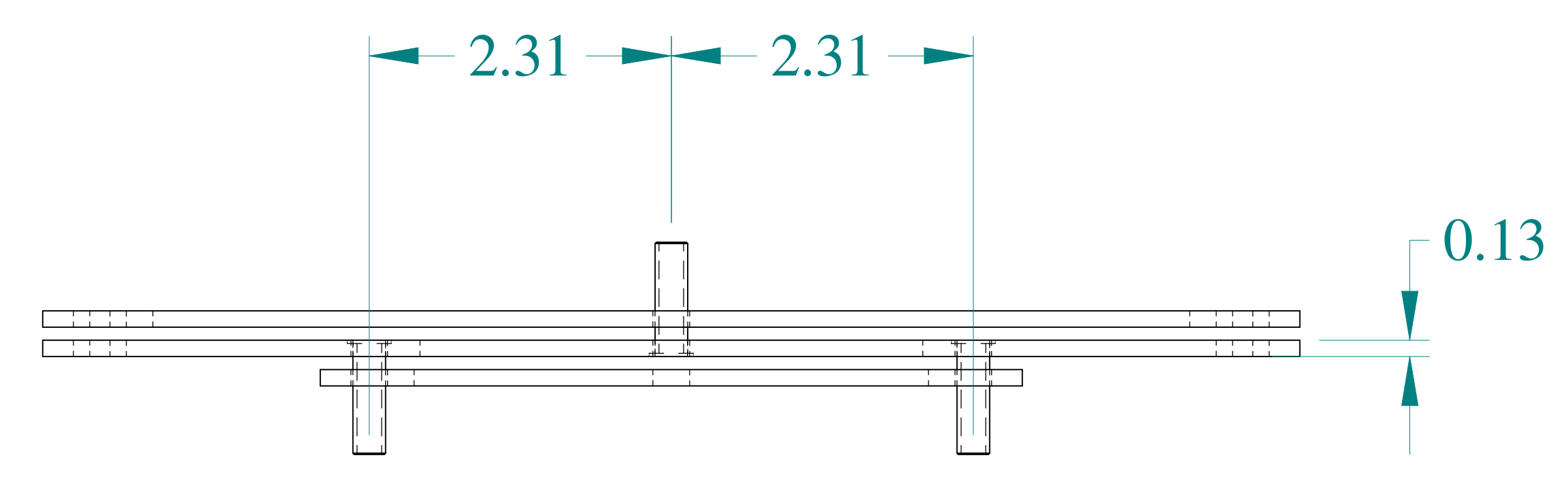


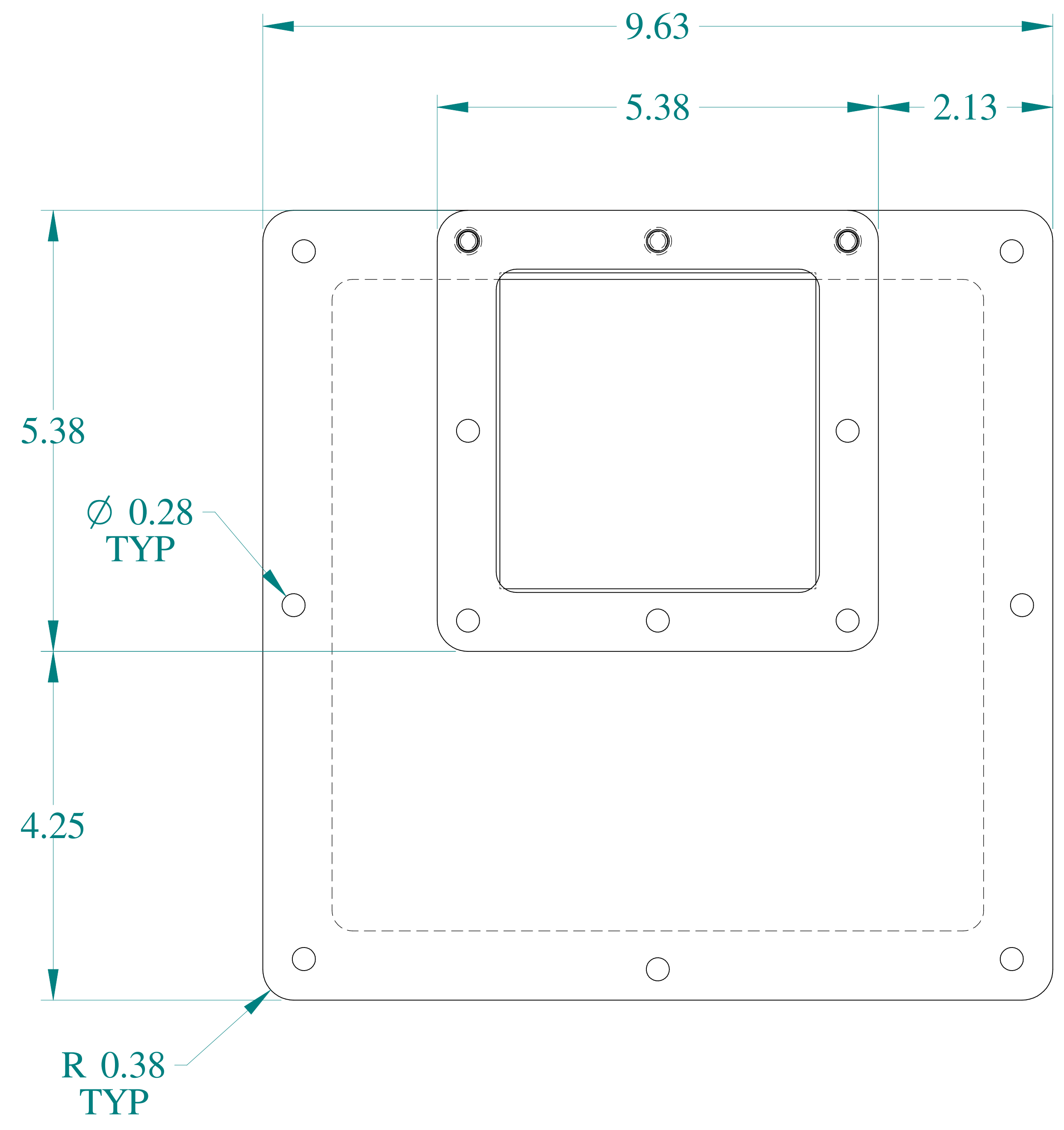
BACK VIEW



SIDE VIEW

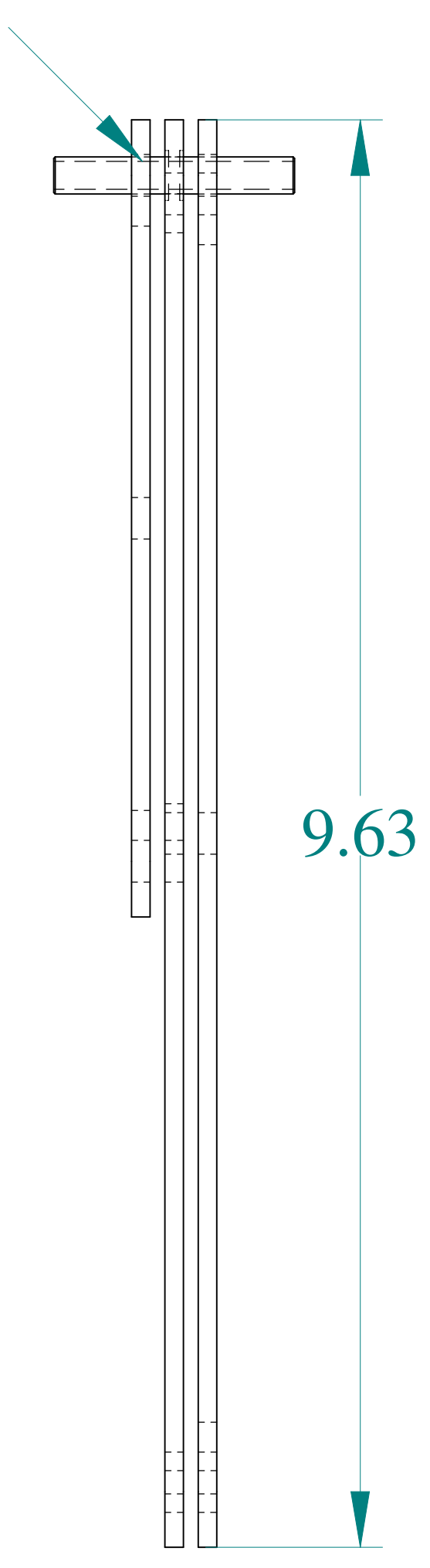


TOP VIEW

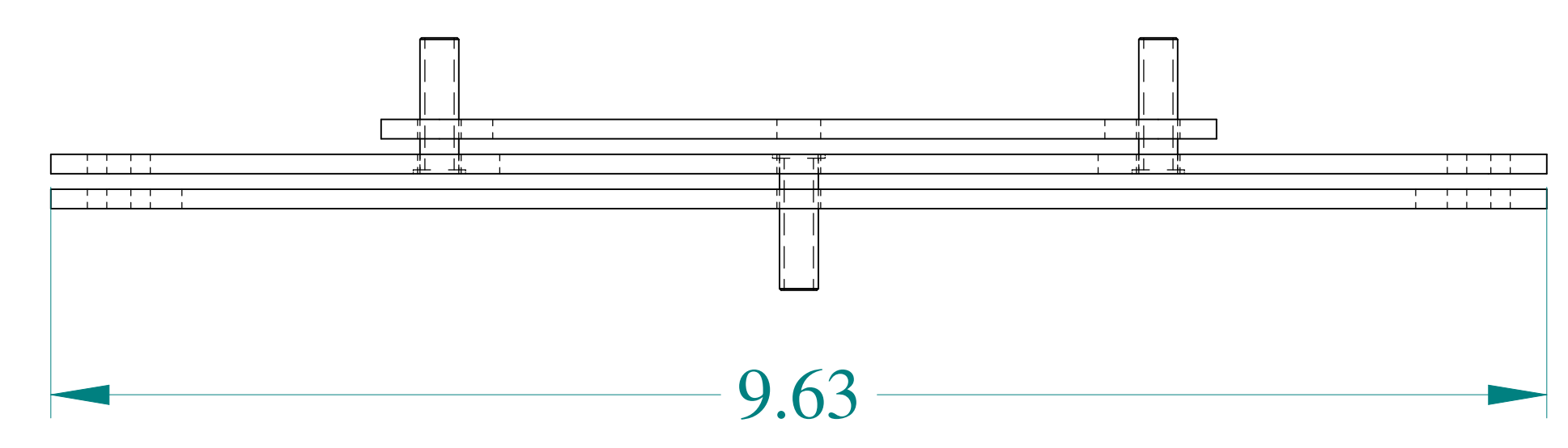


FRONT VIEW

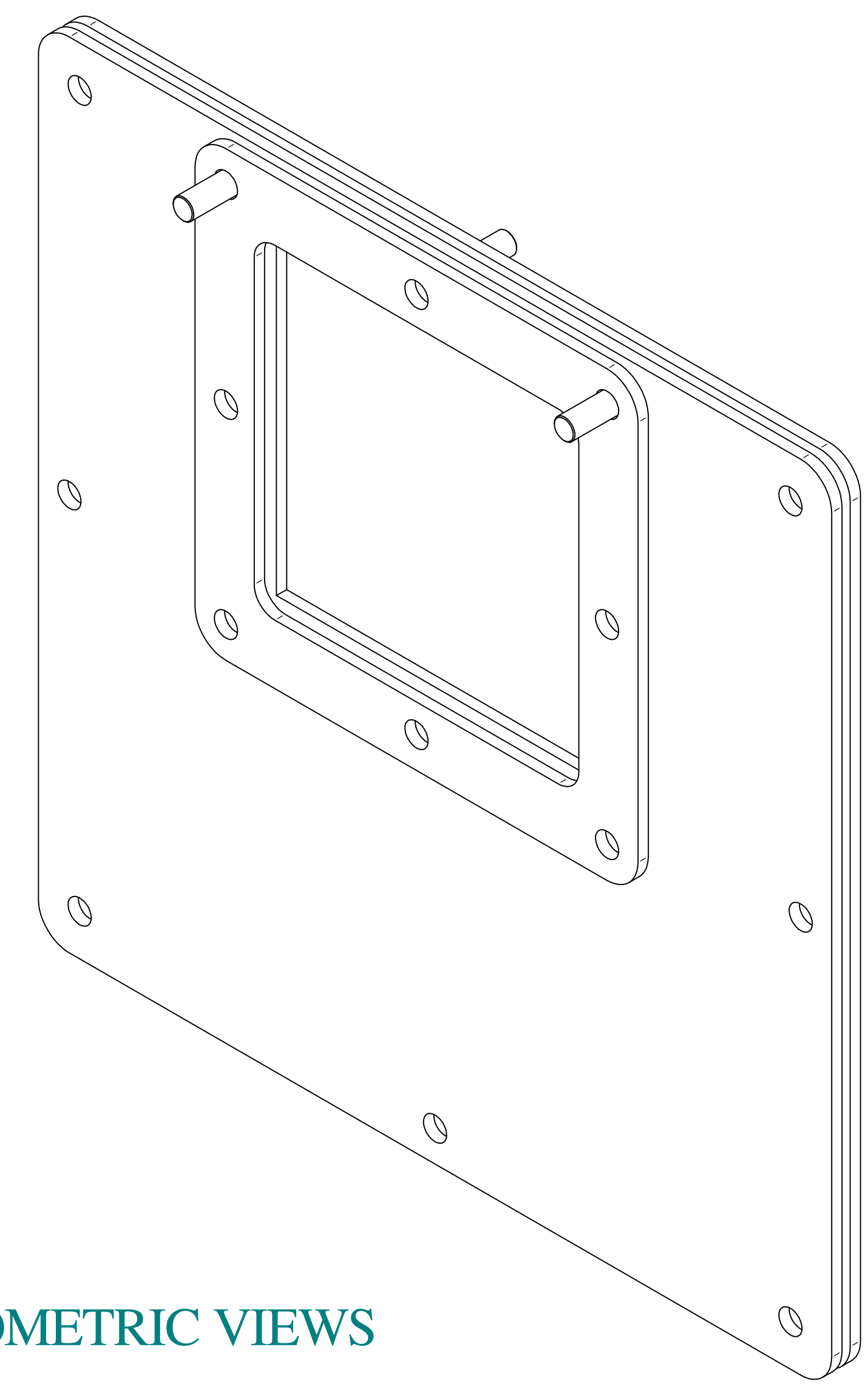
PEM - FH-0420-12, ZI
INSTALLED TYP



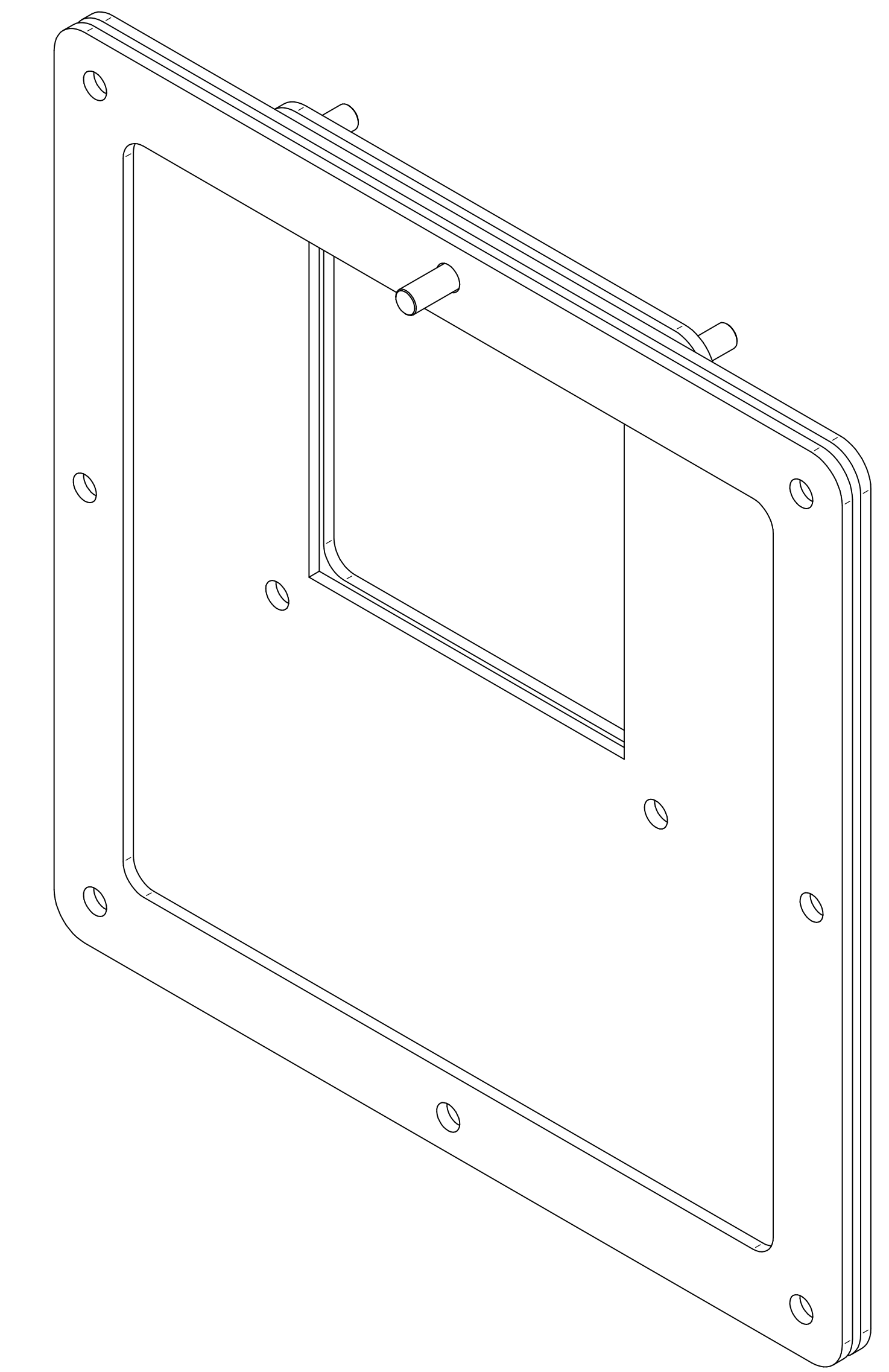
SIDE VIEW



BOTTOM VIEW



ISOMETRIC VIEWS



**HAMMOND
MANUFACTURING**
www.hammondmfg.com

Data subject to change without notice.

Part # : 1487ERECSS Date : Mar. 23, 2019

Link: www.hamdfg.com/1487ERECSS