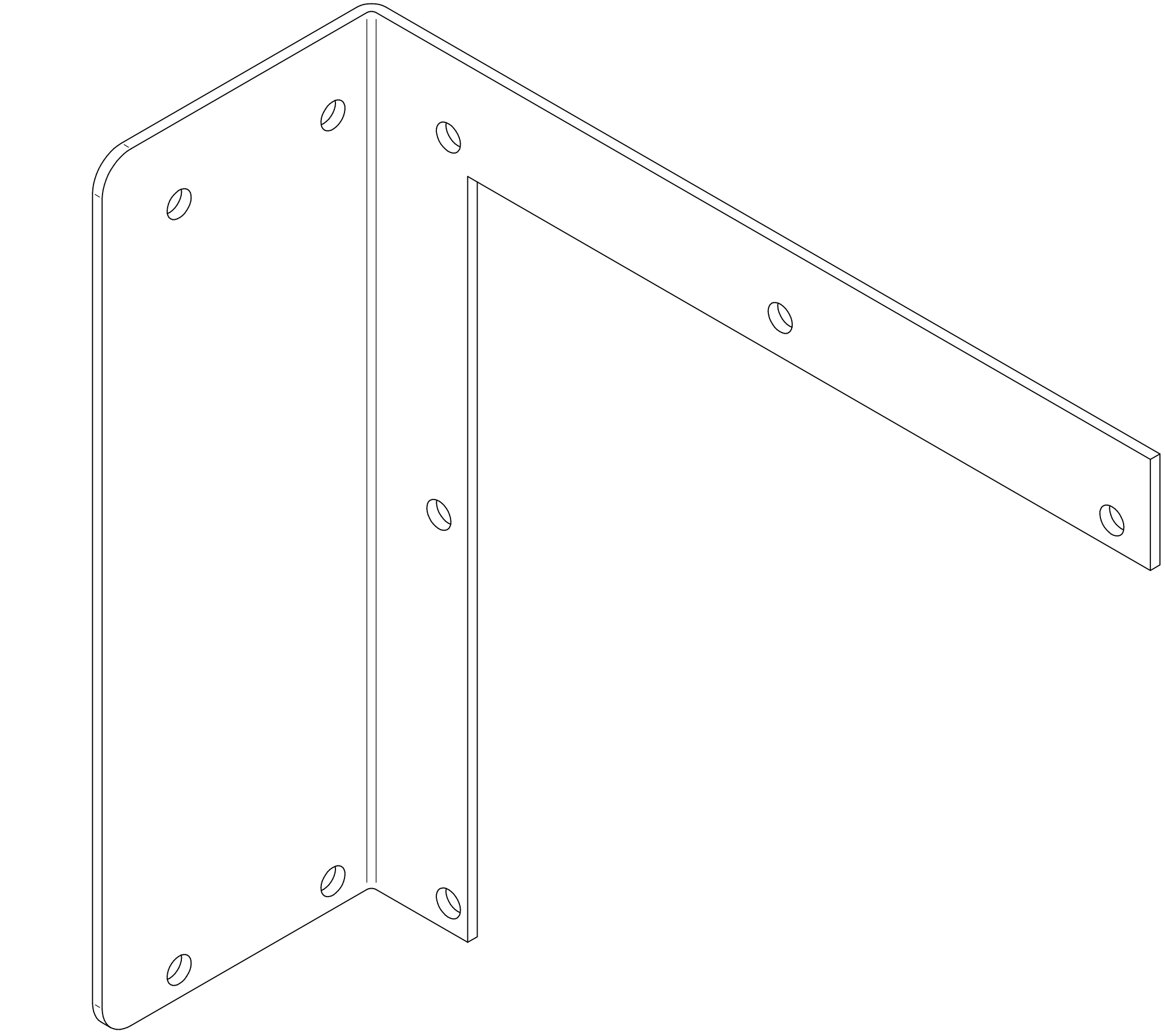
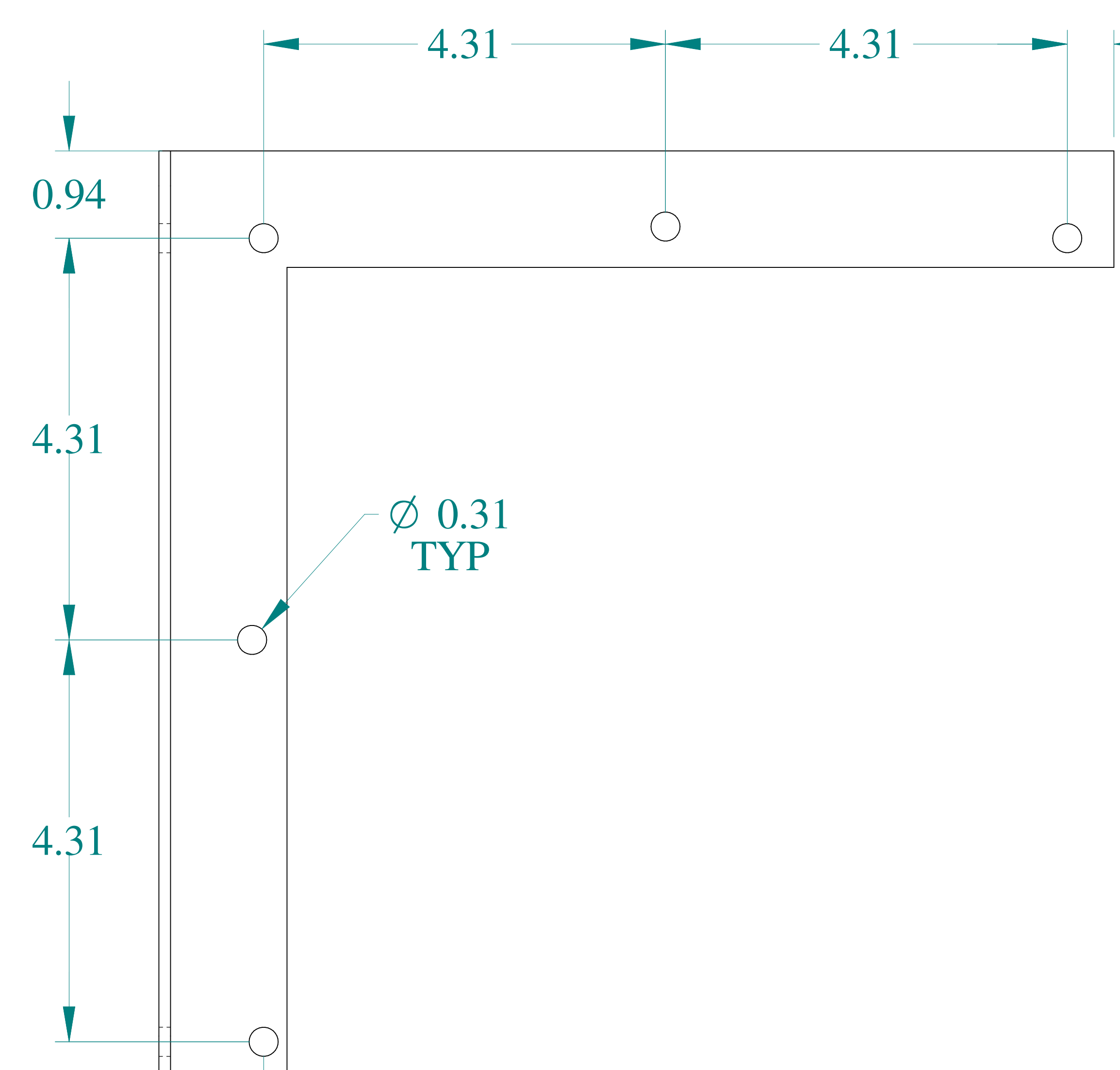


TOP VIEW



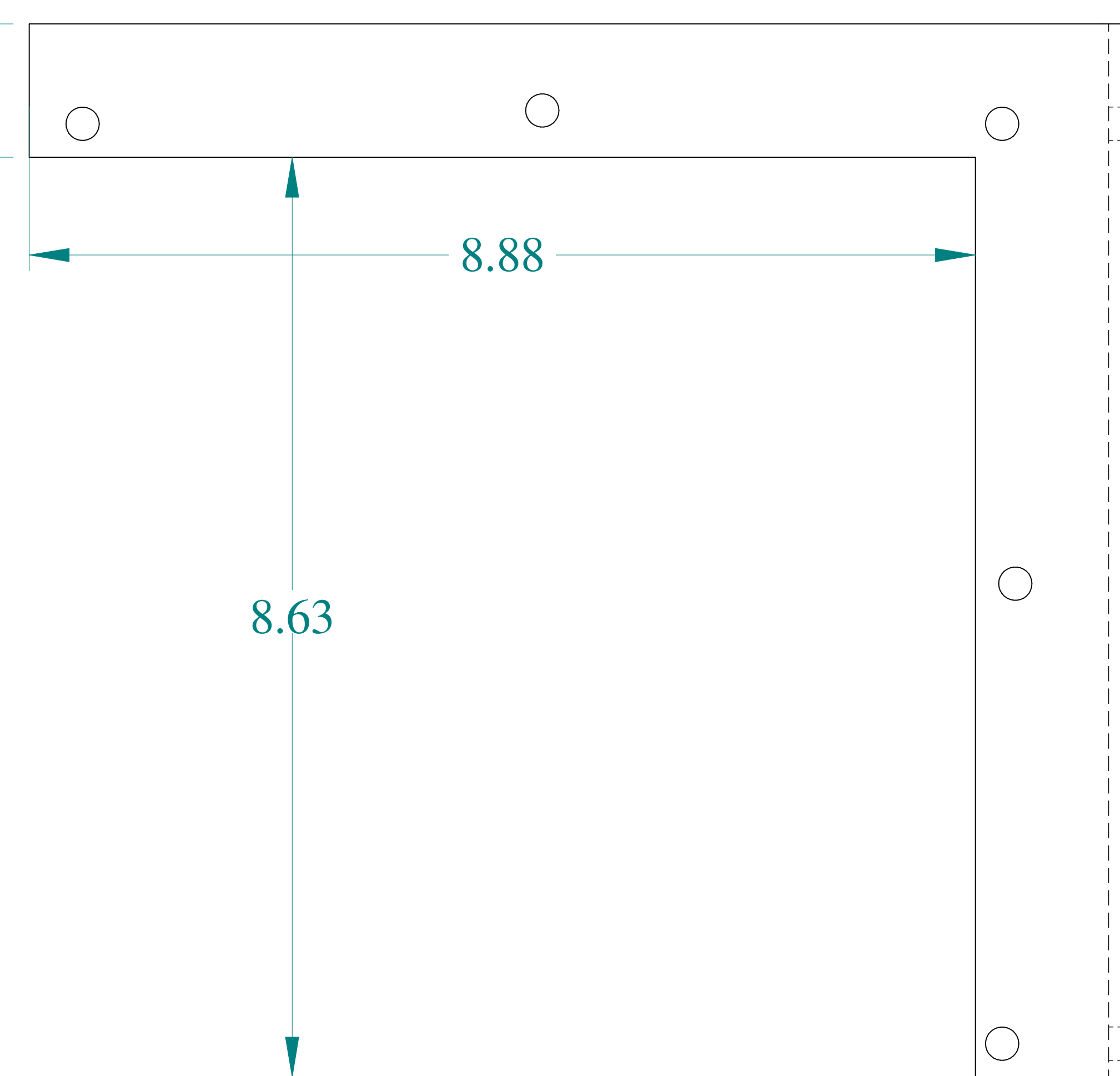
ISOMETRIC VIEWS



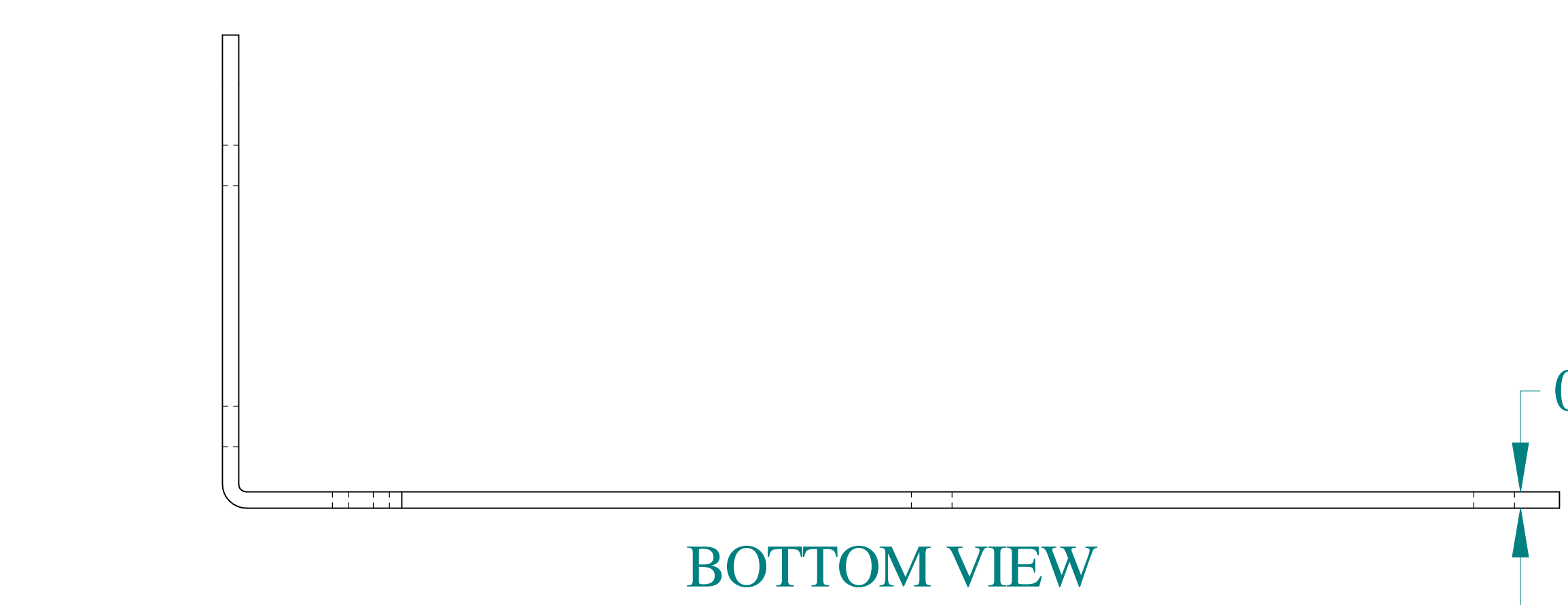
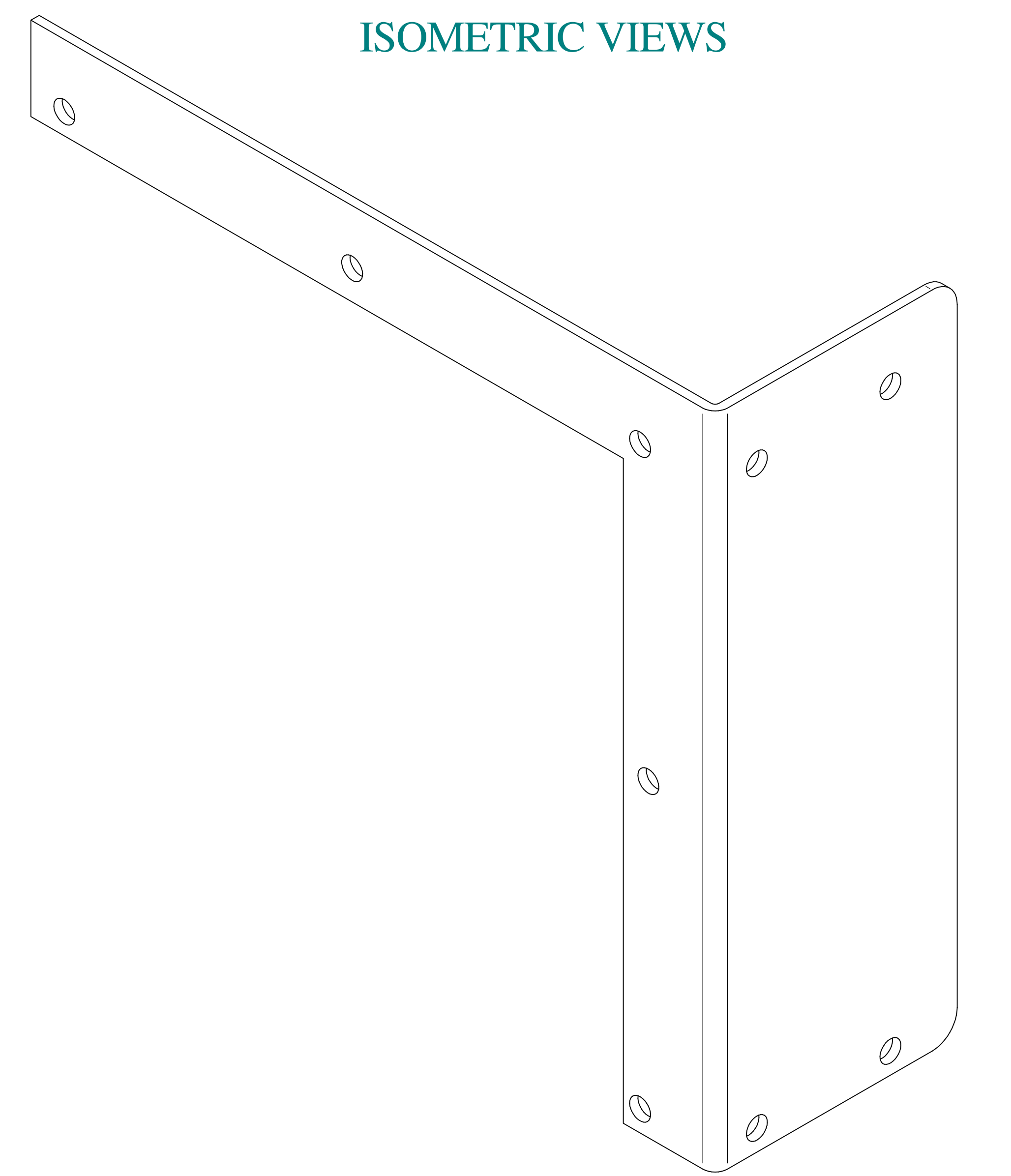
FRONT VIEW



SIDE VIEW



BACK VIEW



BOTTOM VIEW

**HAMMOND
MANUFACTURING®**

W www.hammondmfg.com

Data subject to change without notice.

Part #: 1487EL2SS Date: Mar. 22, 2019

[Link:www.hammg.com/1487EL2SS](http://www.hammg.com/1487EL2SS)