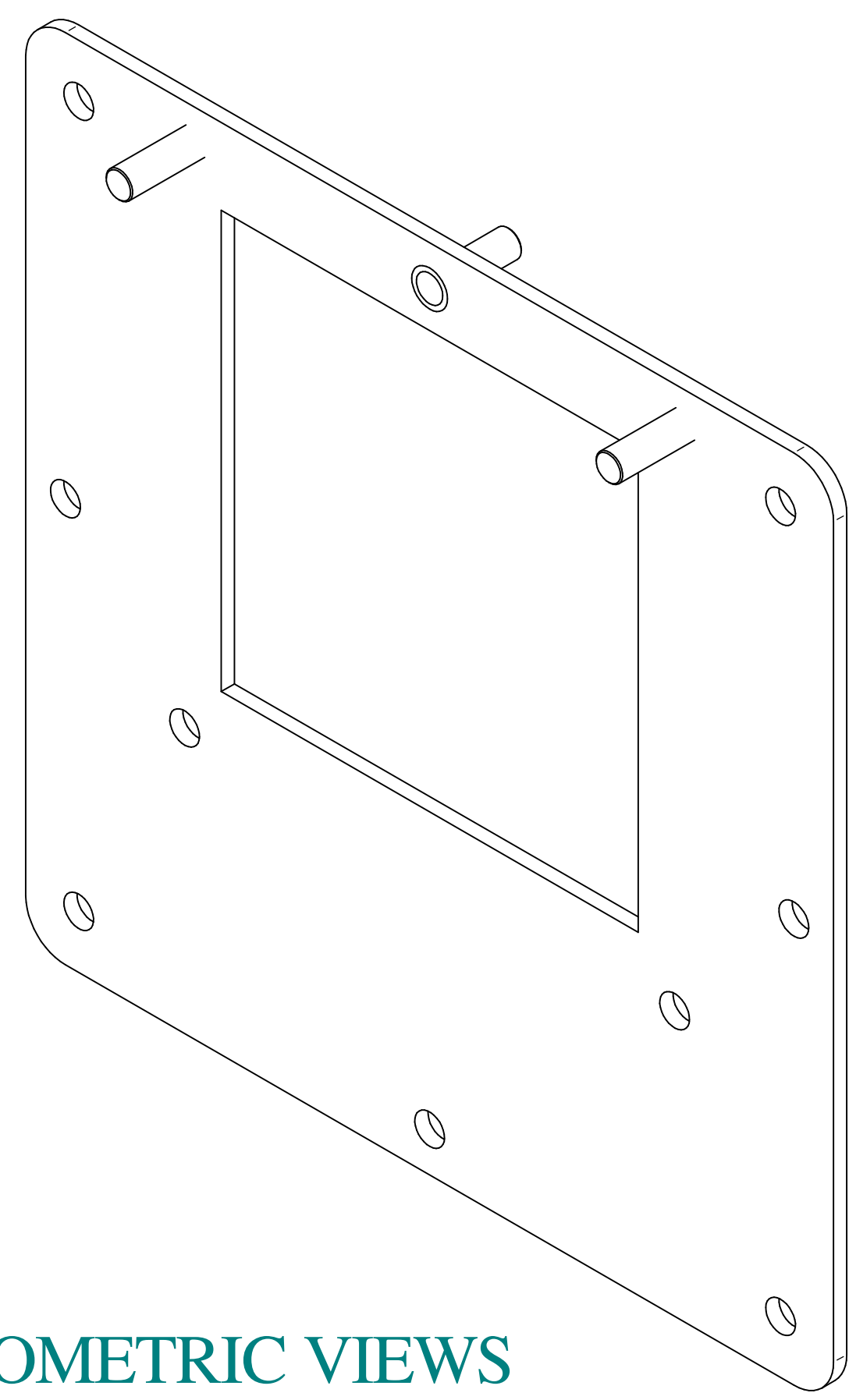
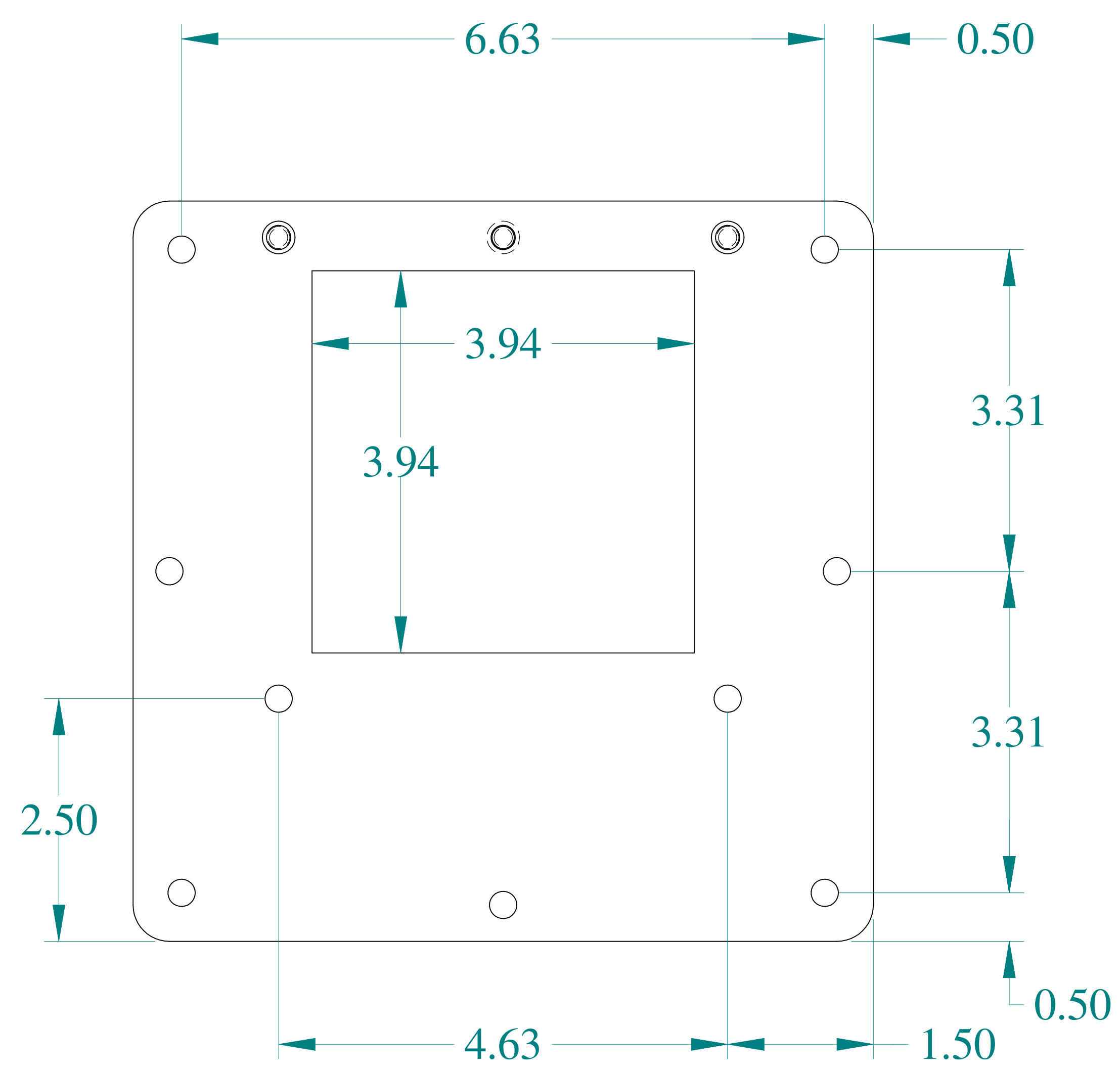


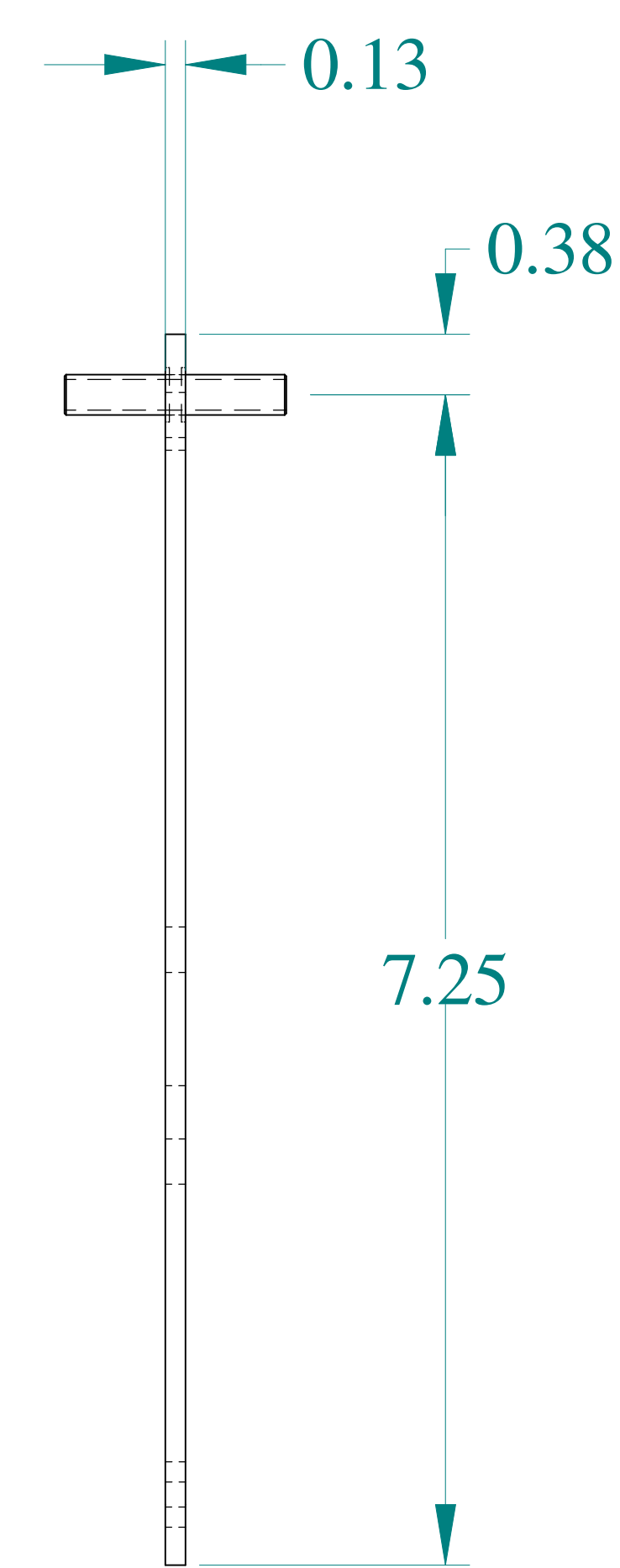
TOP VIEW



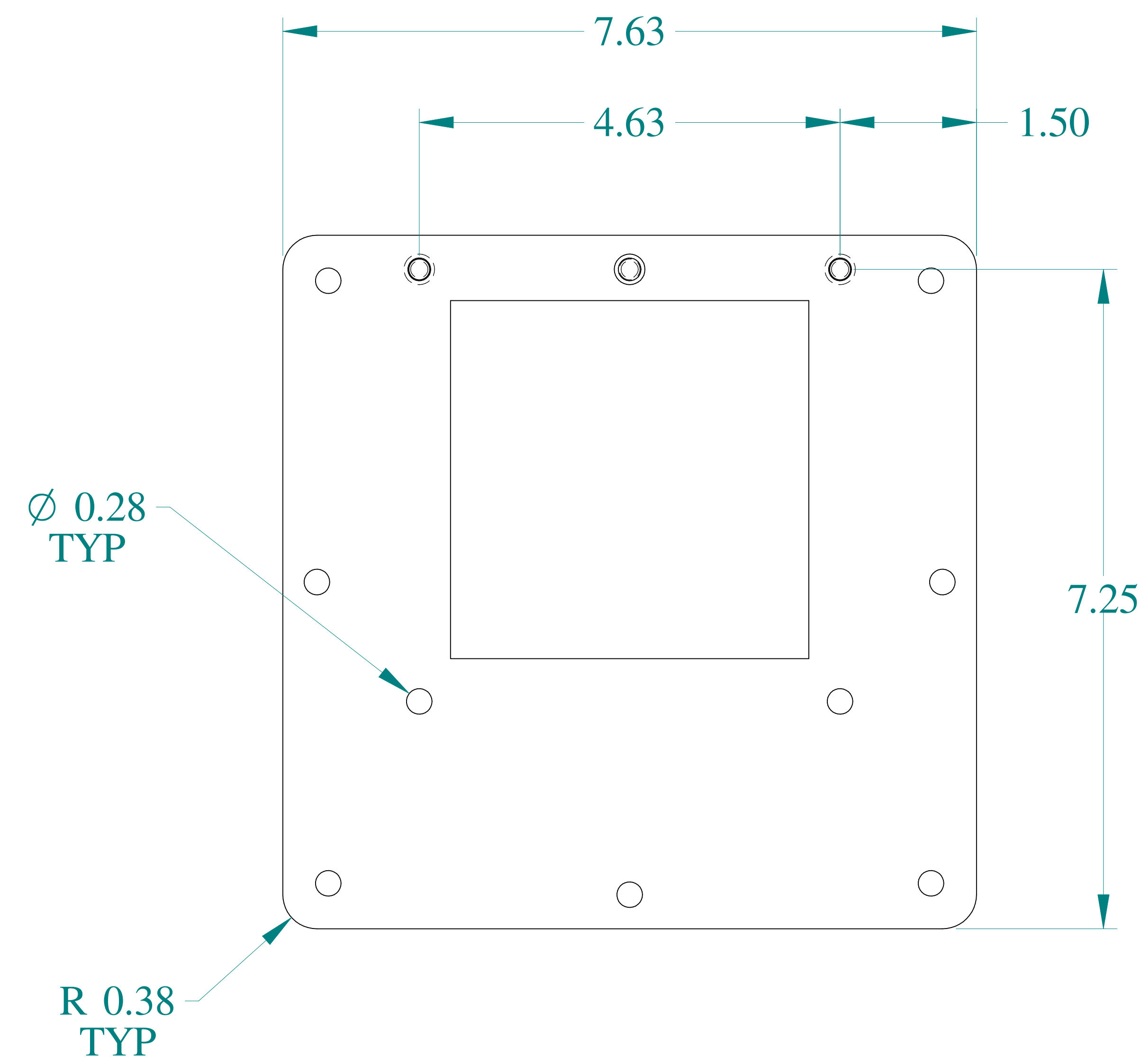
ISOMETRIC VIEWS



BACK VIEW

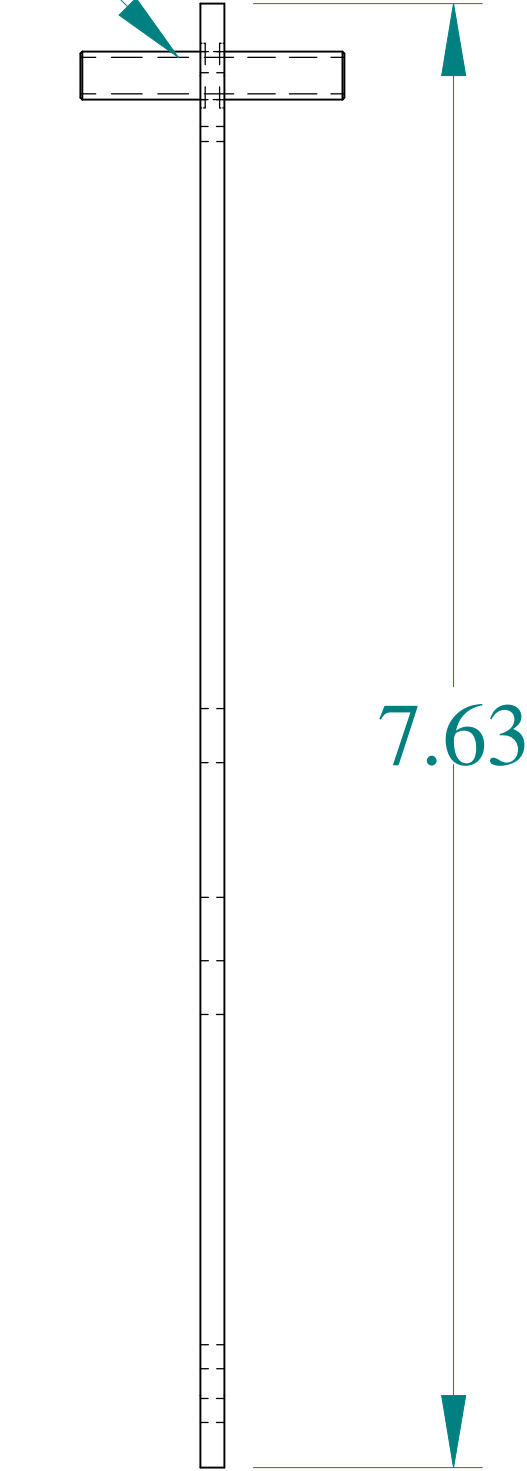


SIDE VIEW

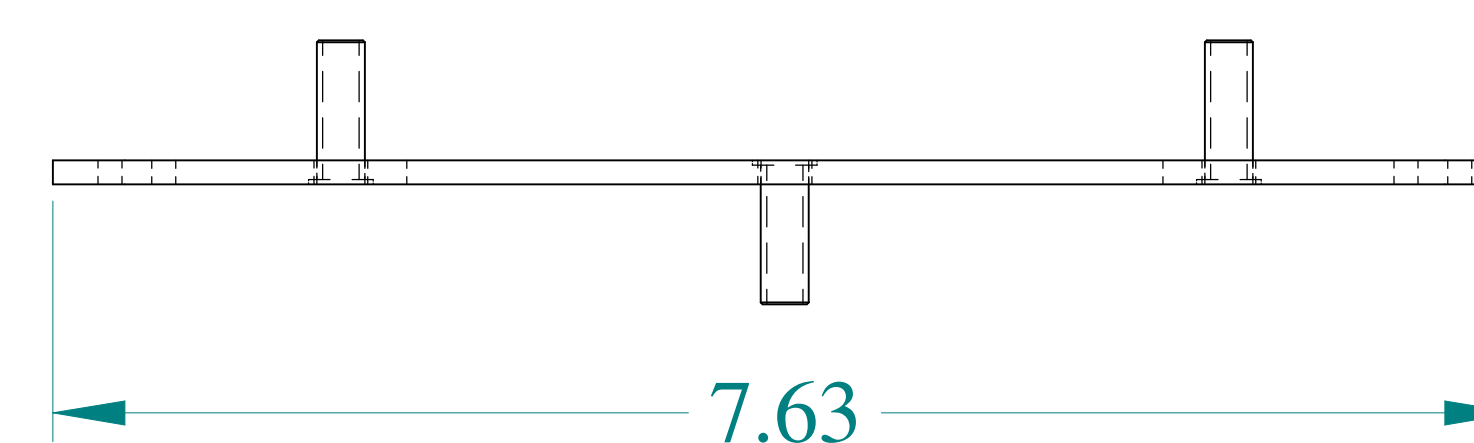
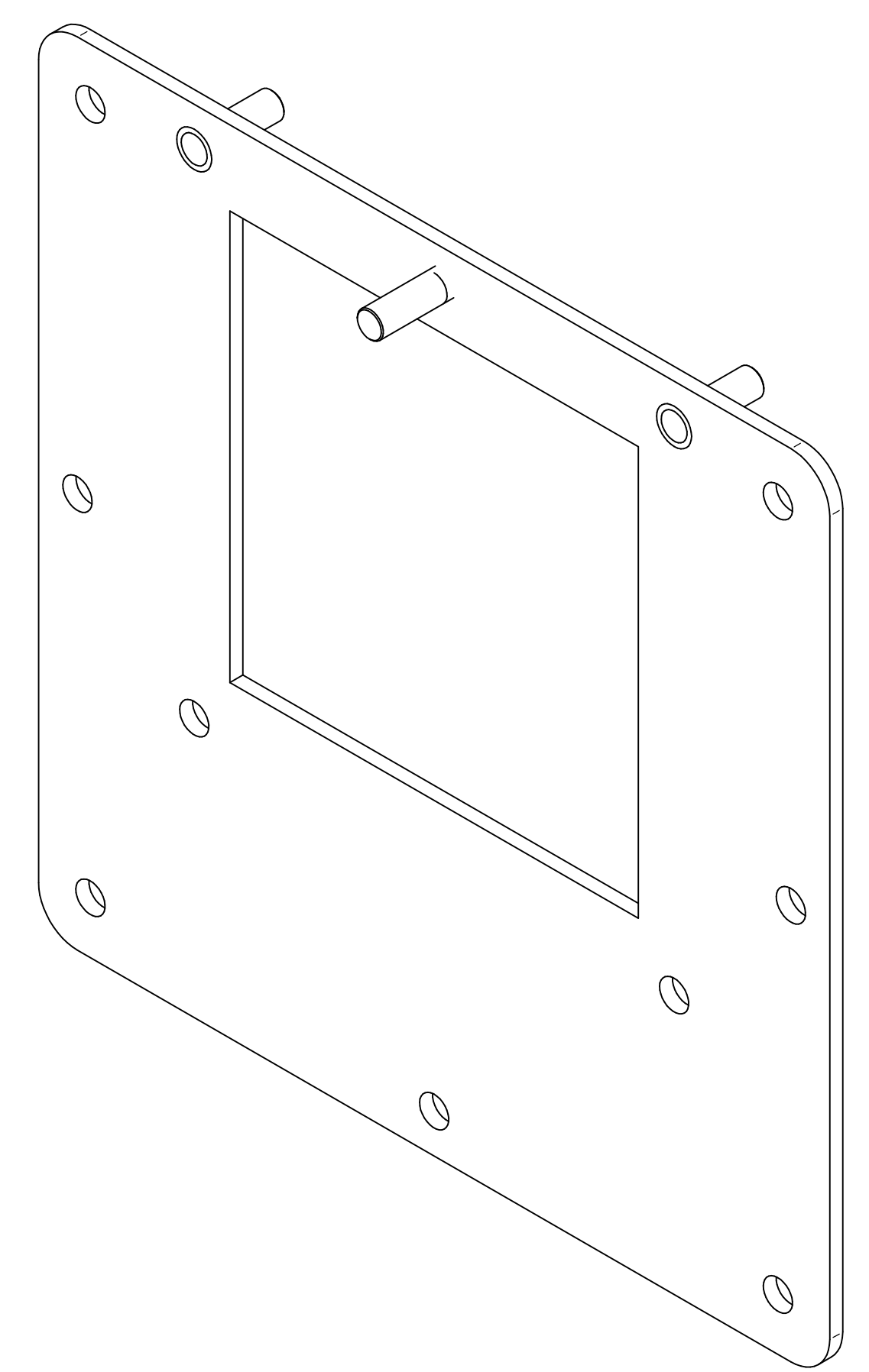


FRONT VIEW

PEM - FH-0420-12, ZI
 INSTALLED TYP



SIDE VIEW



BOTTOM VIEW



Data subject to change without notice.

Part # : 1487DRE

Date : Mar. 23, 2019

Link: www.hamdmfg.com/1487DRE