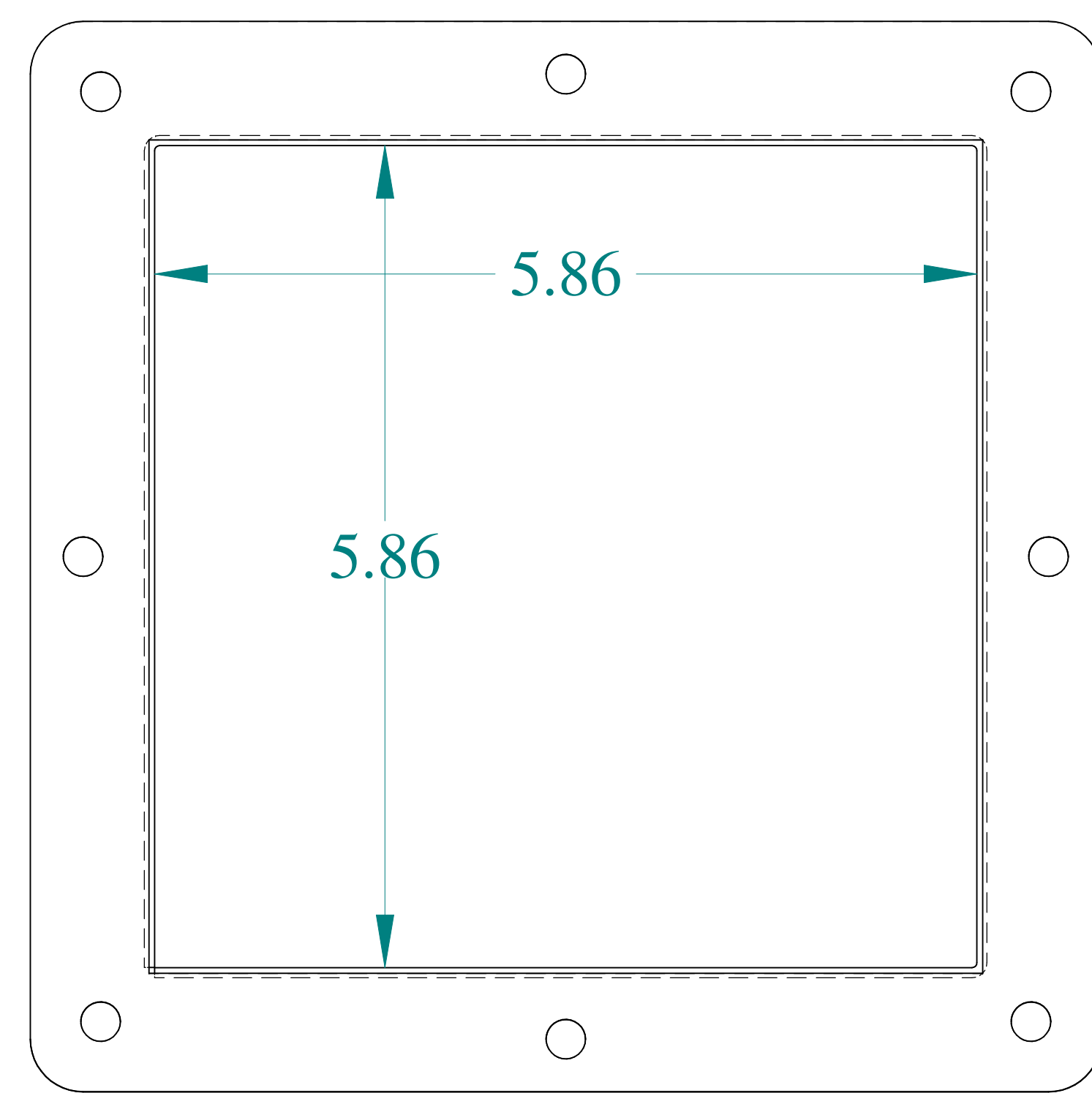
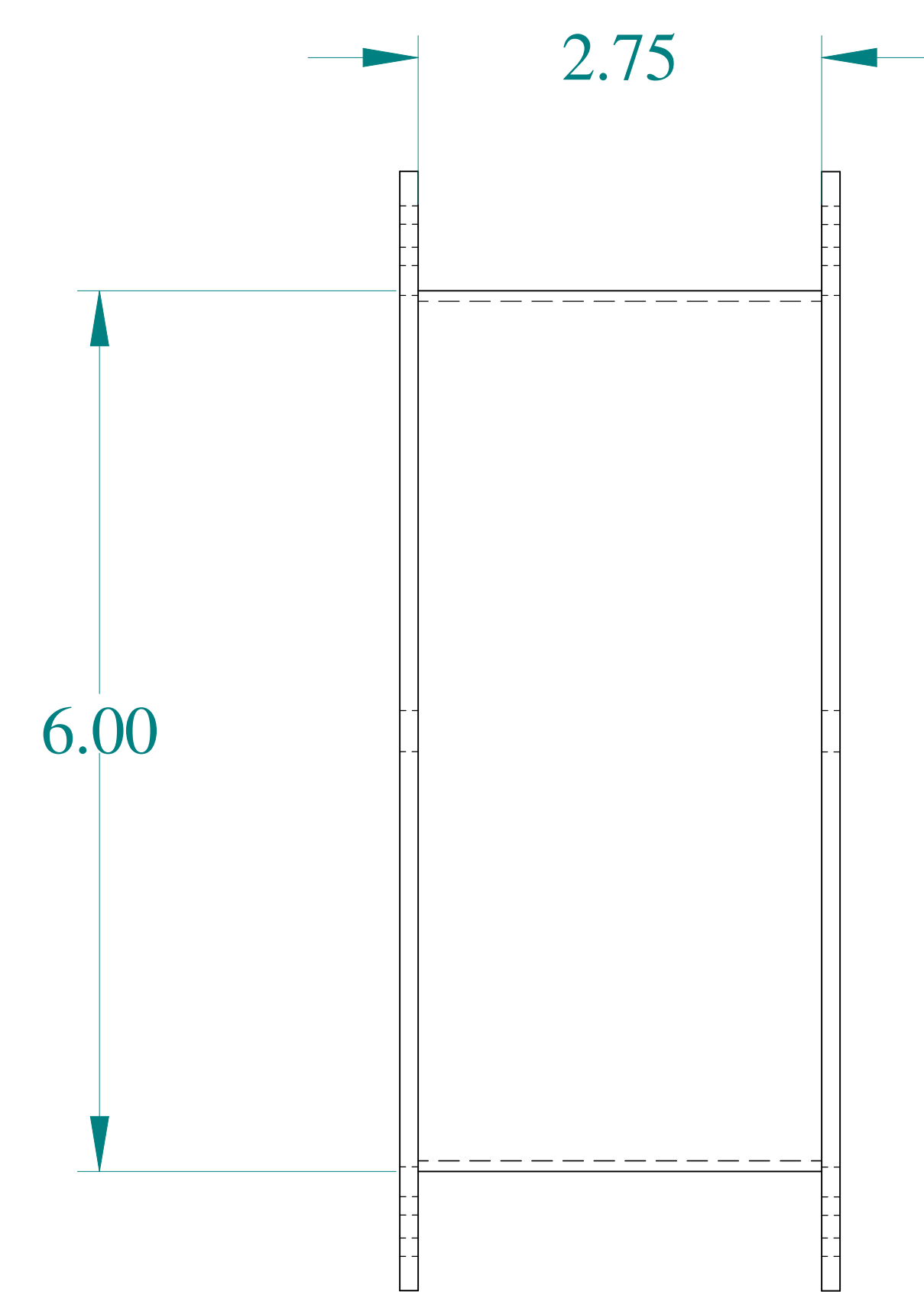


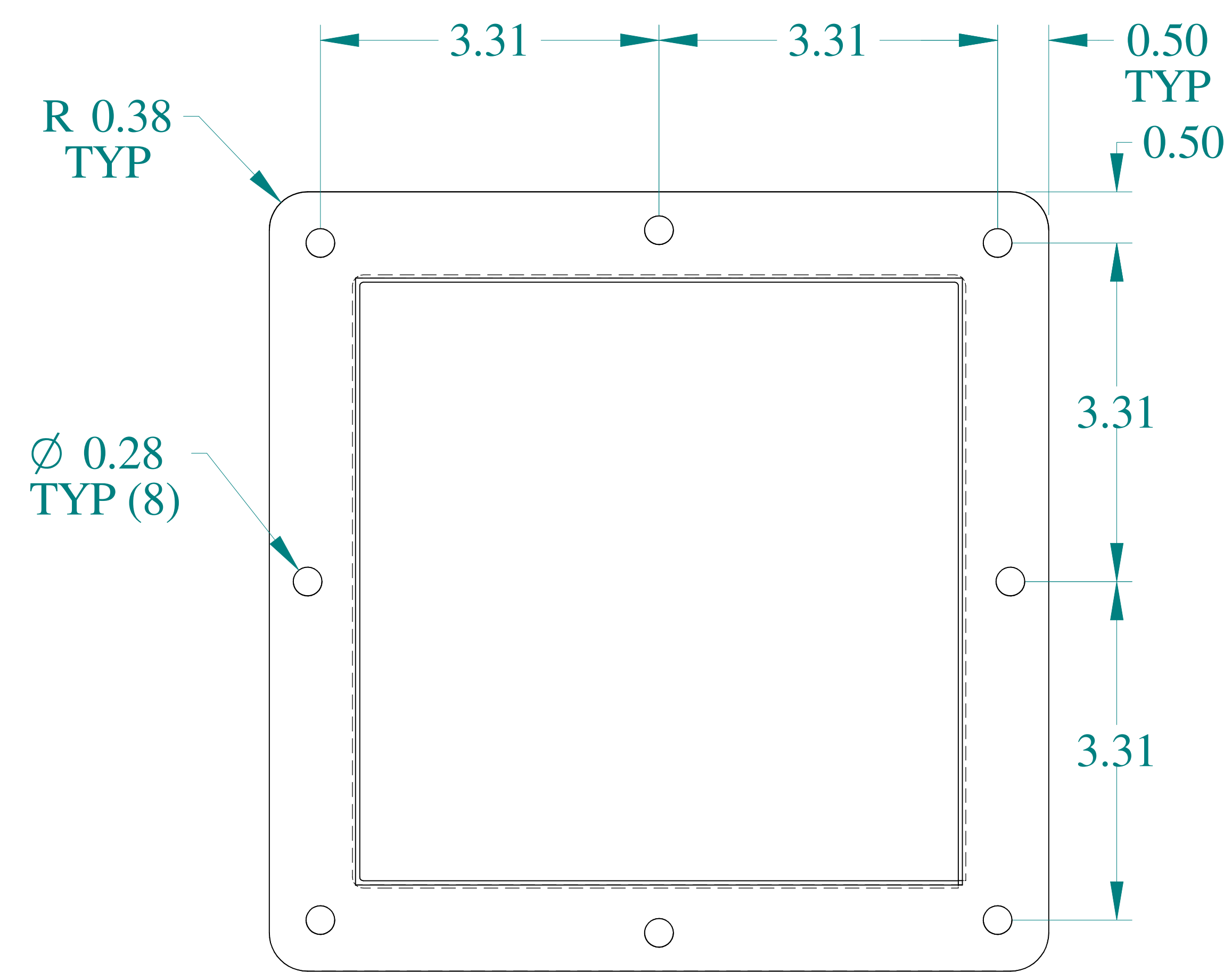
TOP VIEW



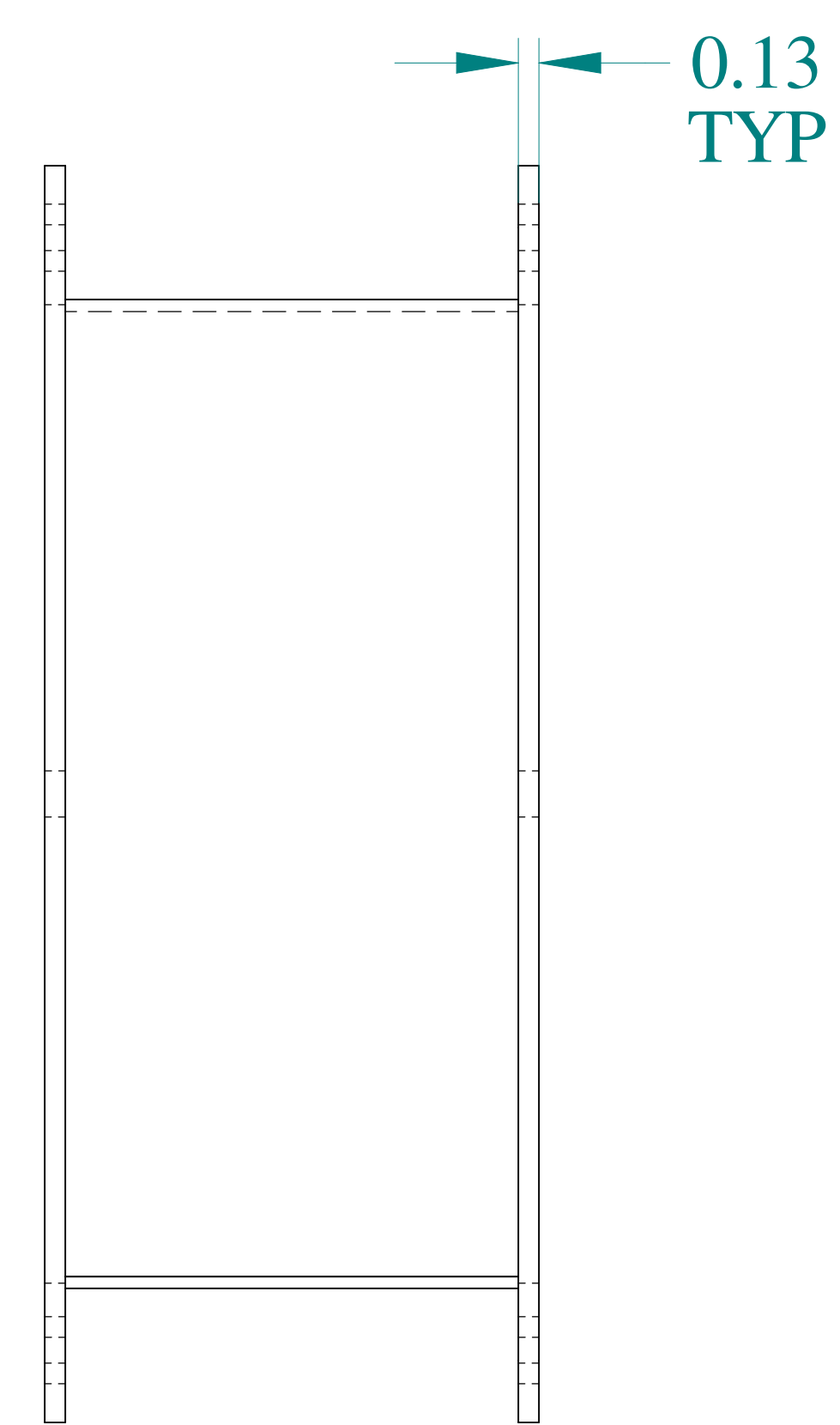
SIDE VIEW



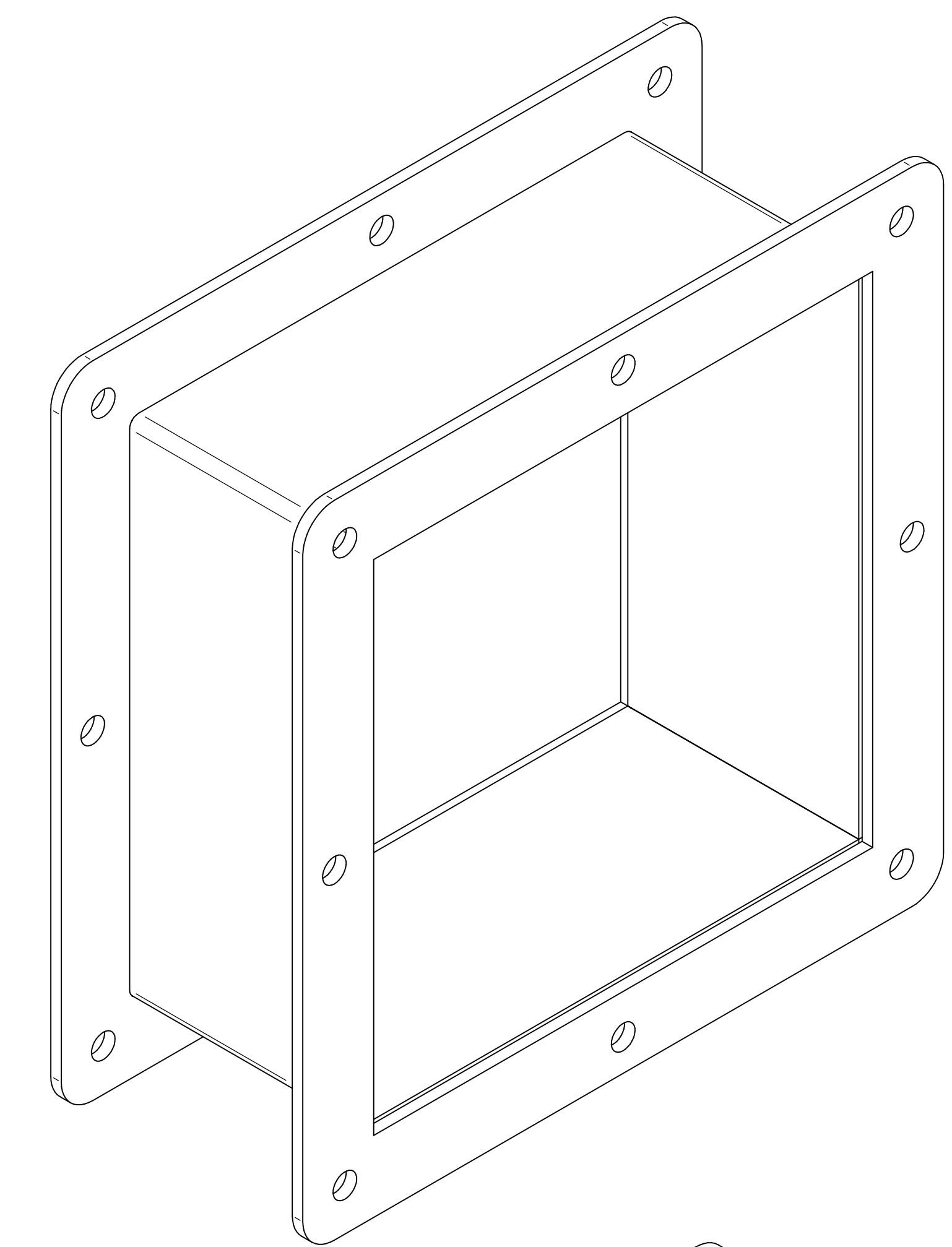
FRONT VIEW



SIDE VIEW



BOTTOM VIEW



ISOMETRIC VIEWS

