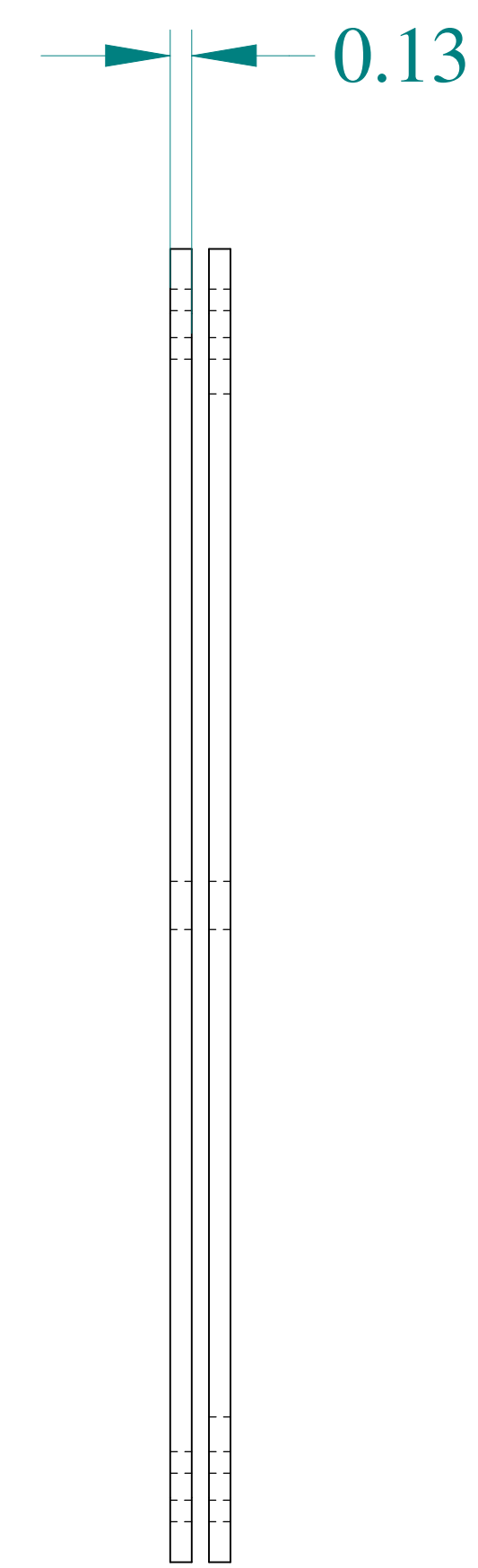
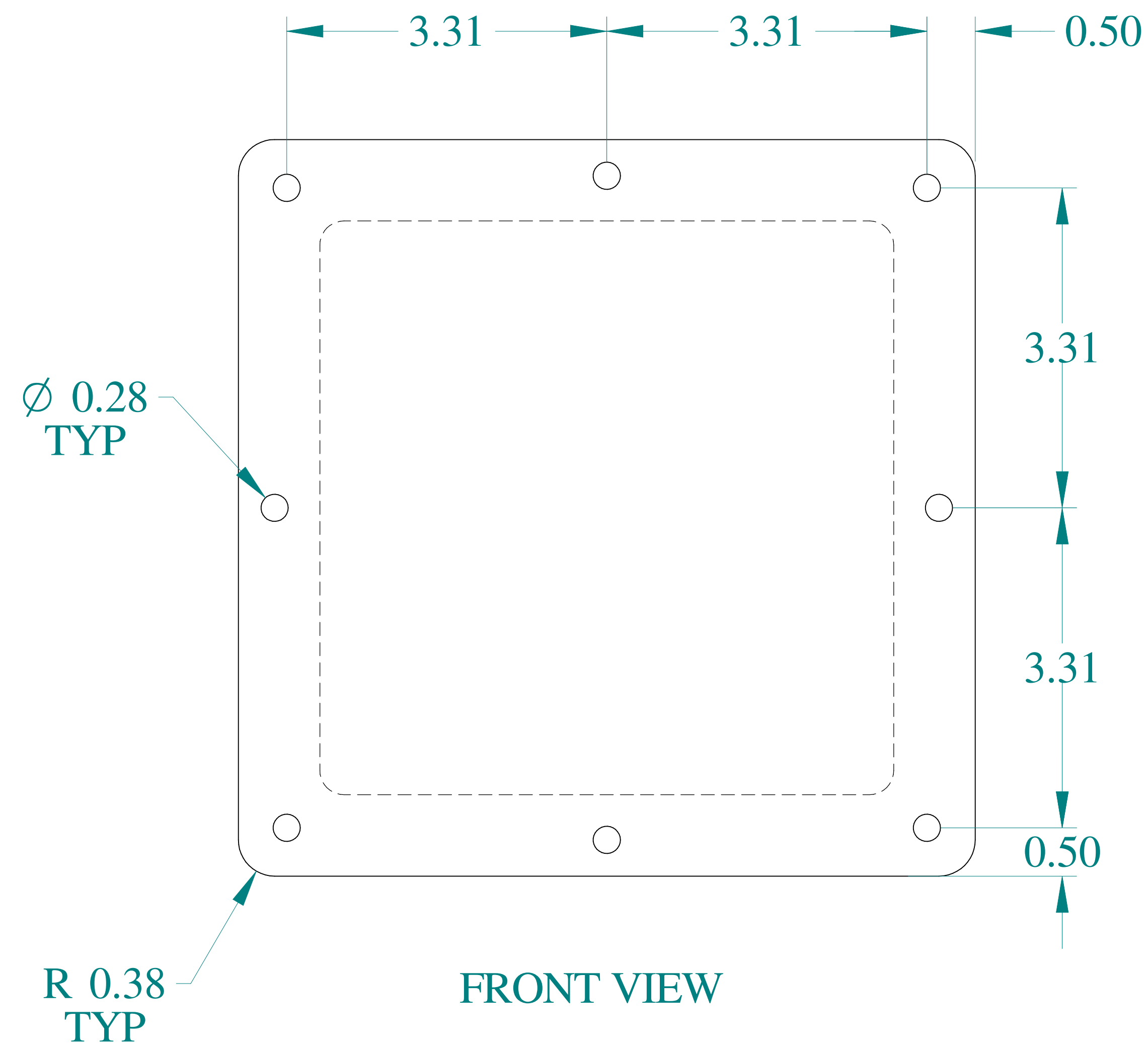


SIDE VIEW



SIDE VIEW

ISOMETRIC VIEWS

