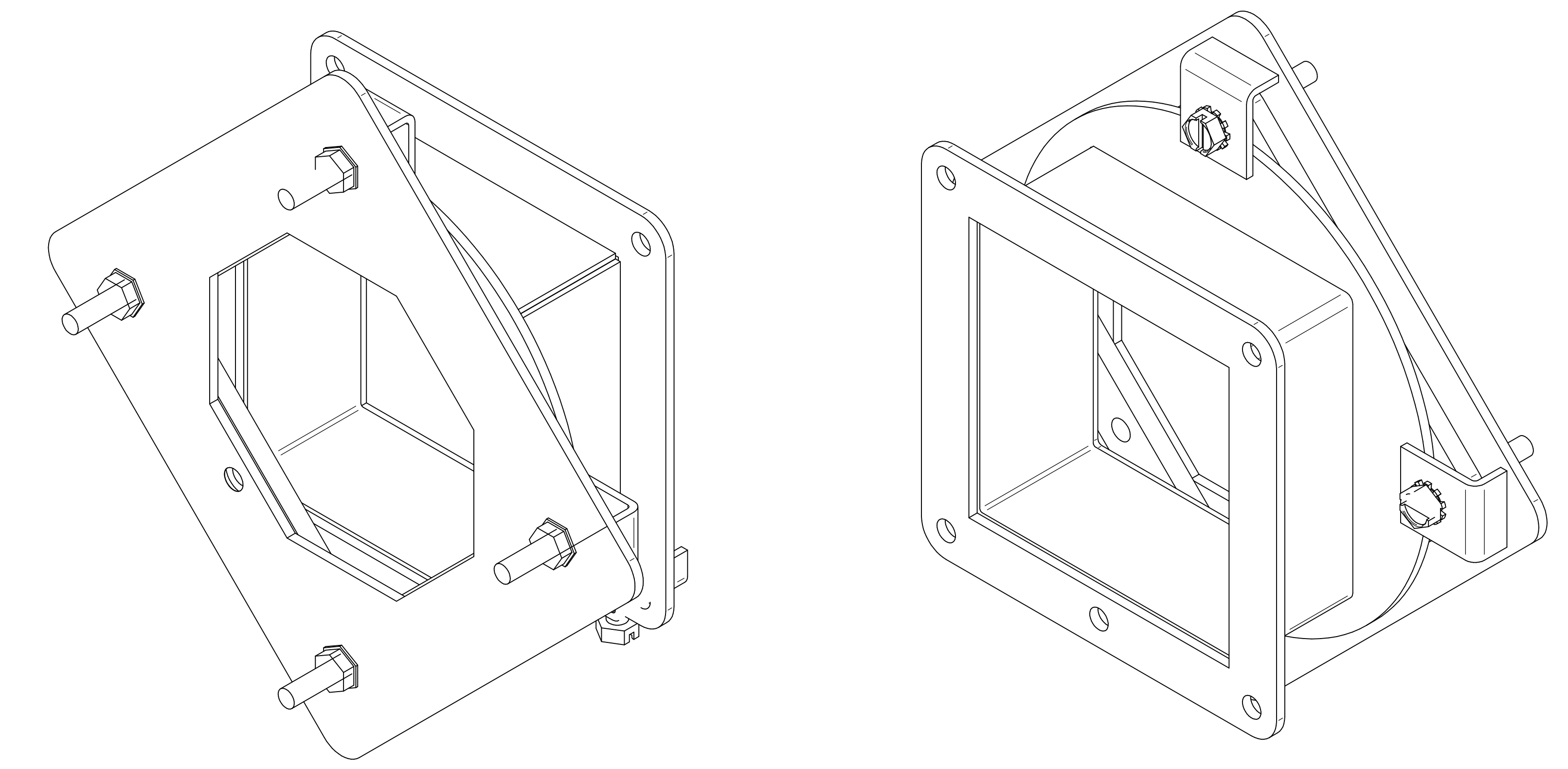
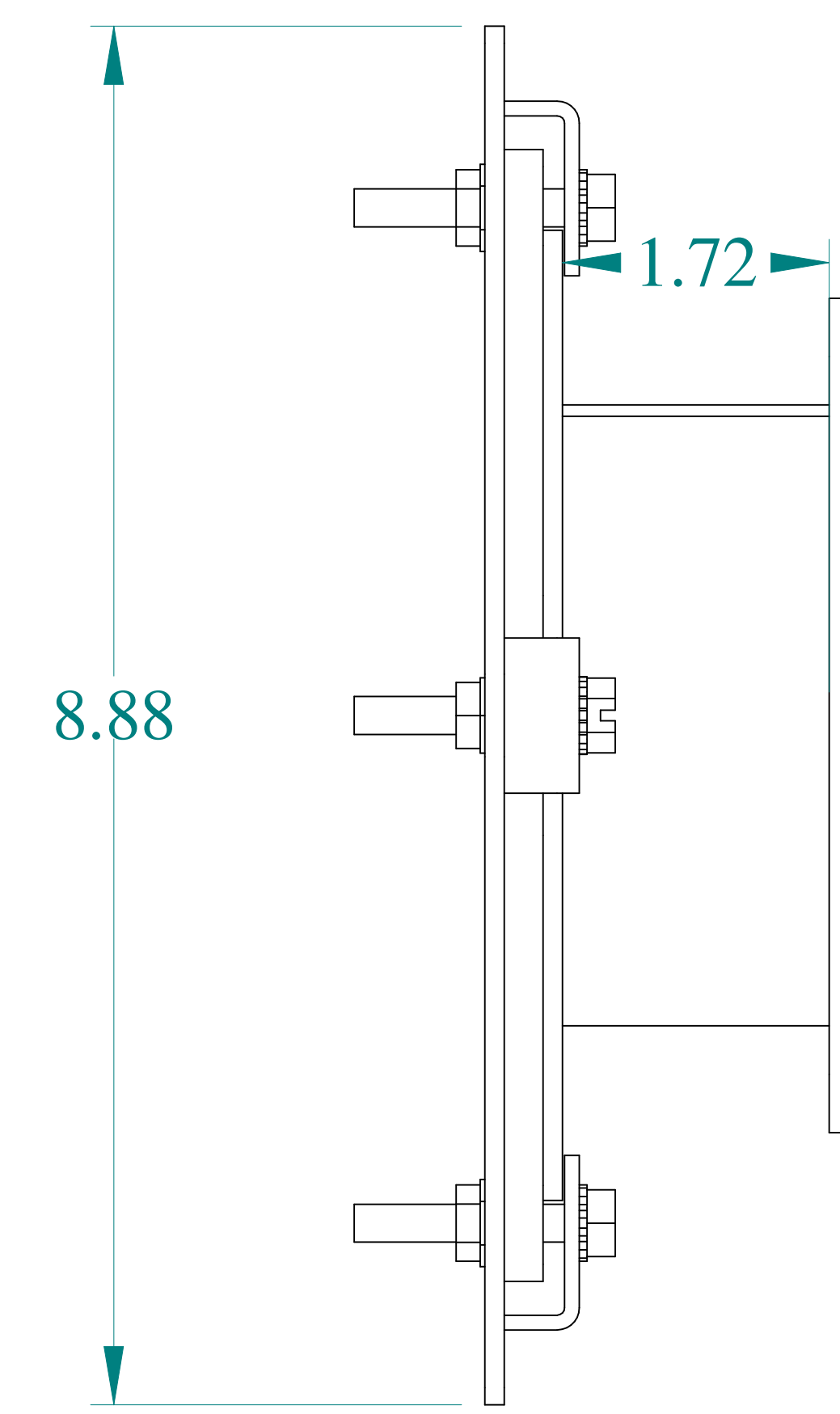


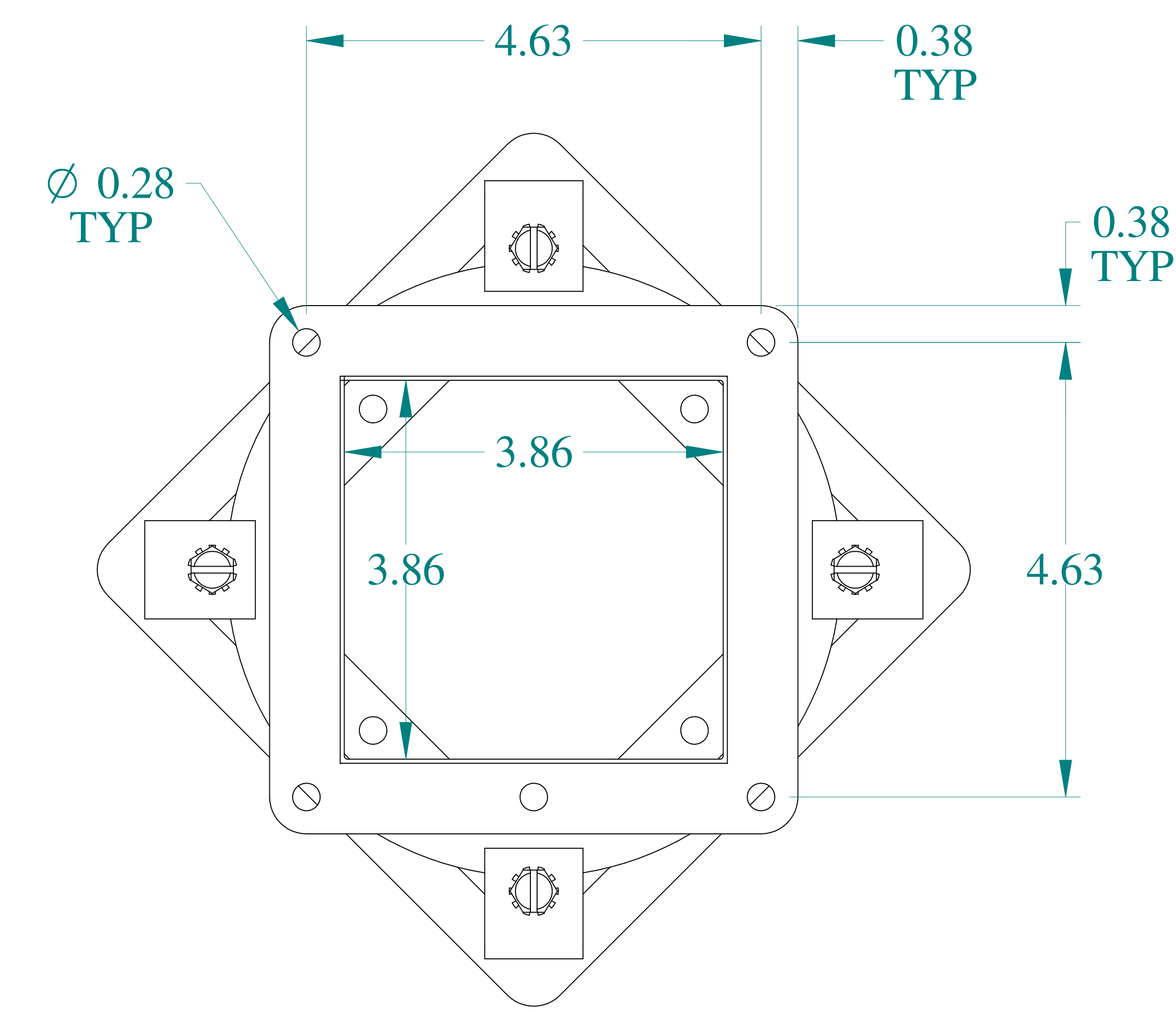
TOP VIEW



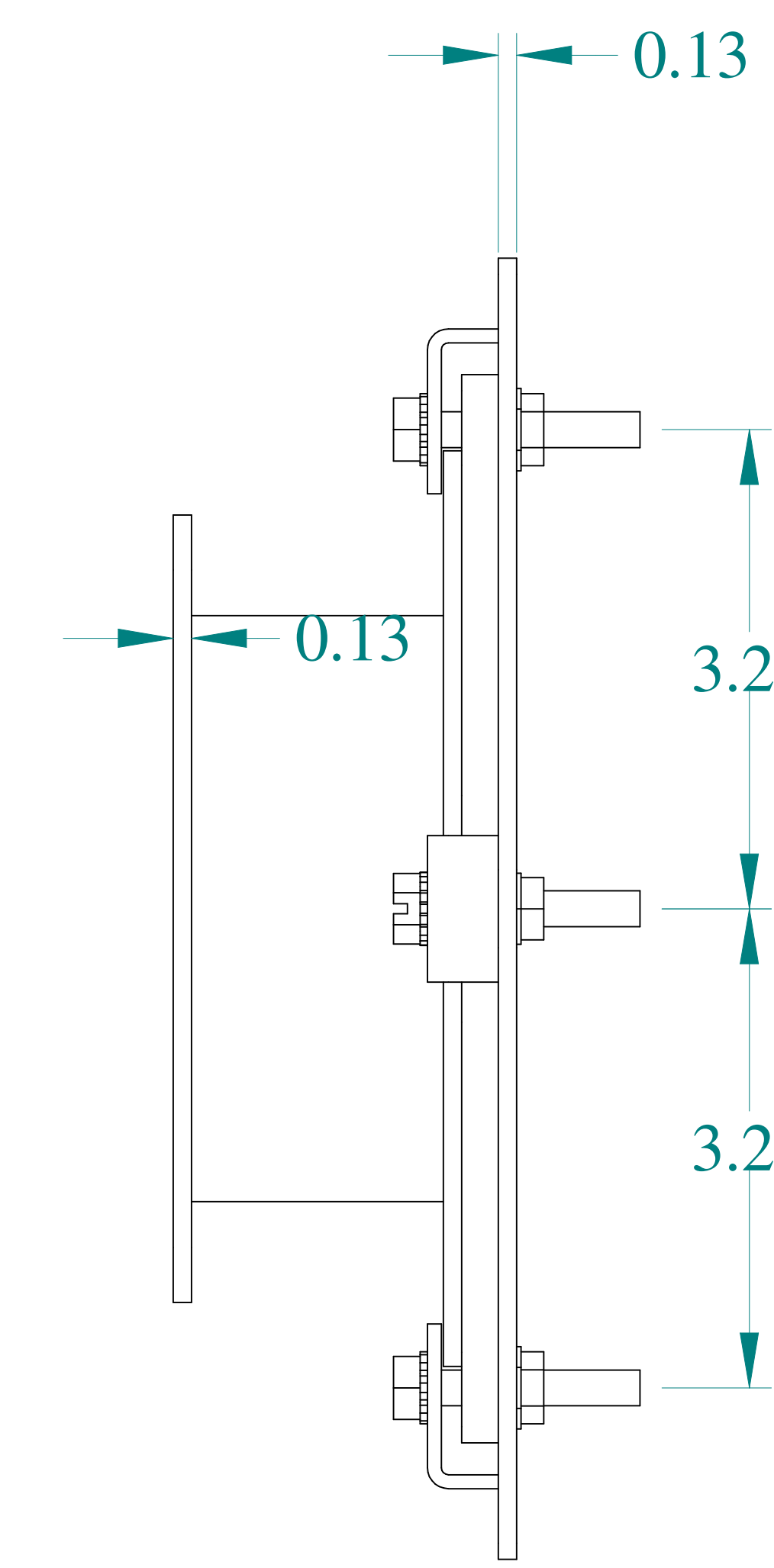
ISOMETRIC VIEWS



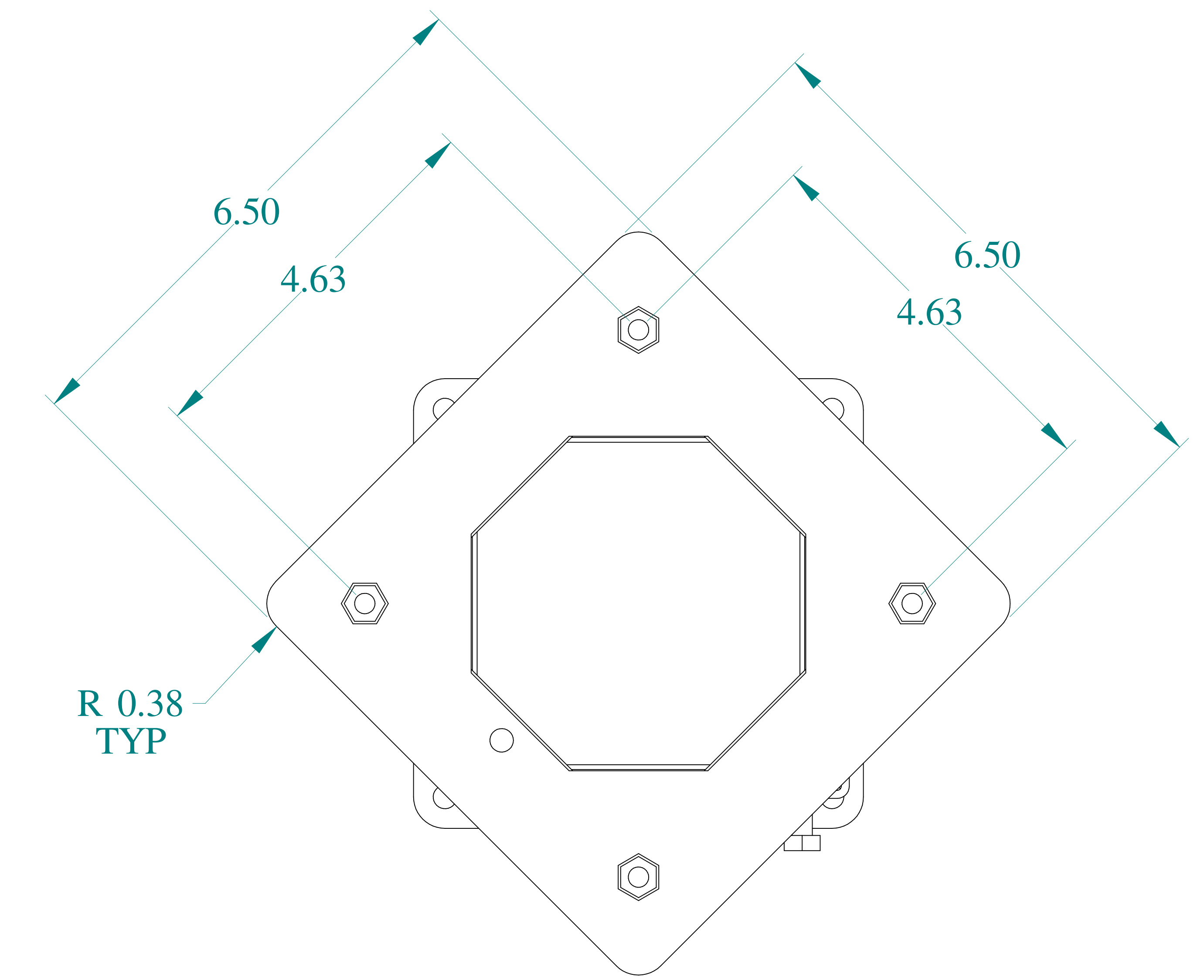
SIDE VIEW



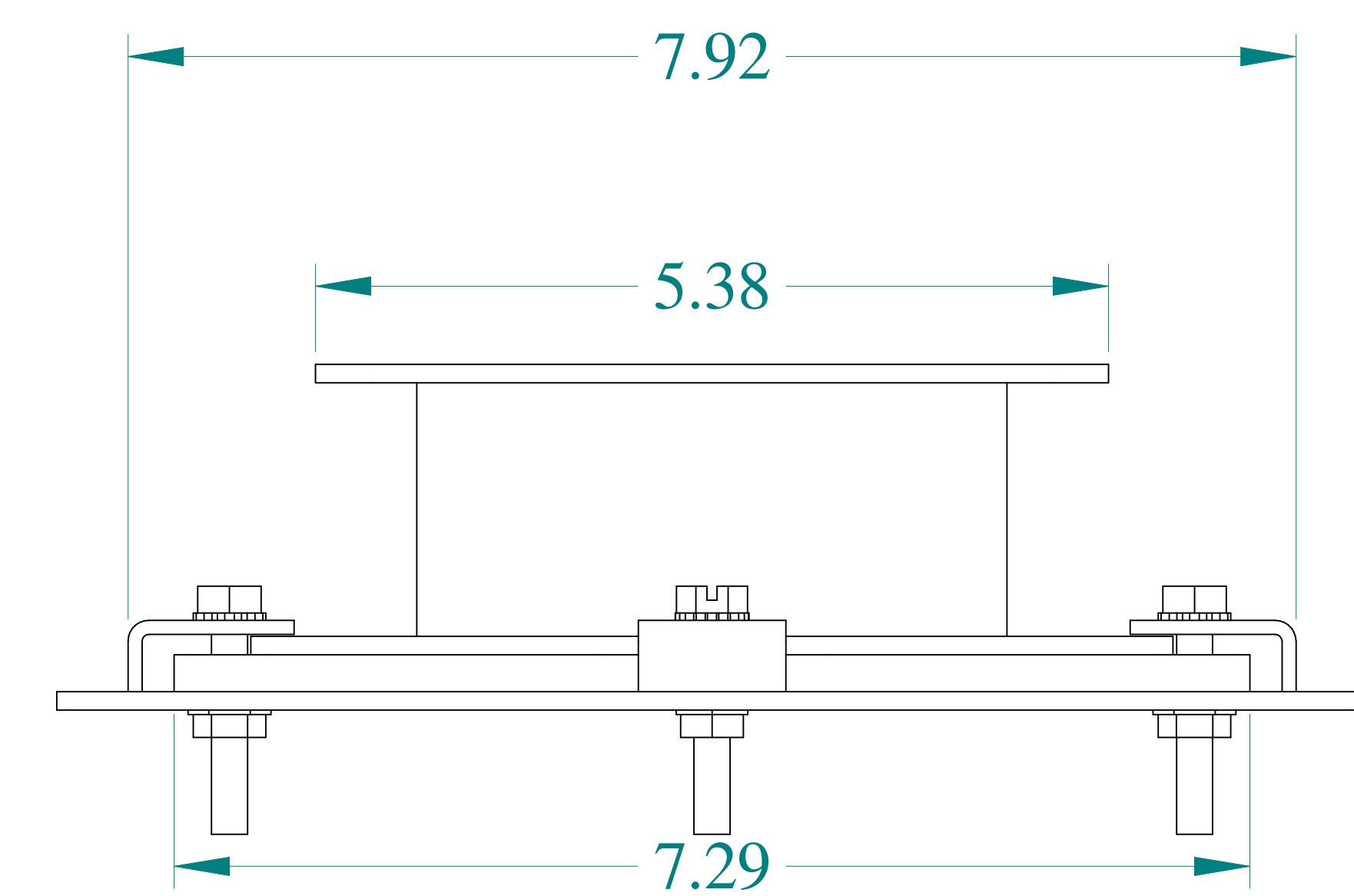
FRONT VIEW



SIDE VIEW



BACK VIEW



BOTTOM VIEW



HAMMOND  
MANUFACTURING®

www.hammondmfg.com

Data subject to change without notice.

Part # : 1487CV2

Date : Mar. 23, 2019

Link: [www.hammg.com/1487CV2](http://www.hammg.com/1487CV2)