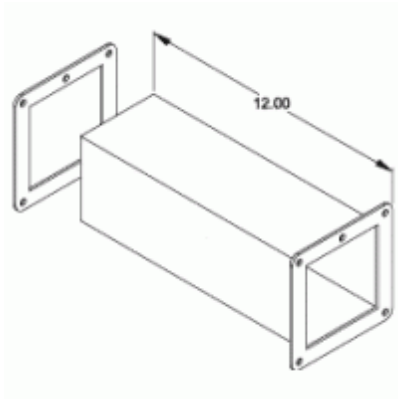




*Quality Products. Service Excellence.*

## Cut-Off Fitting (Non Lay-In) 1485 W2 Series



- For lengths up to 12". Cut off body and weld on flange.

Part No.	Size
1485BW2	2.5 x 2.5
1485CW2	4 x 4
1485DW2	6 x 6
1485EW2	8 x 8
1485FW2	12 x 6

One angle sealing plate included  
Does not meet CSA or UL requirements



*Data subject to change without notice*

© 2020. Hammond Manufacturing Ltd. All rights reserved.