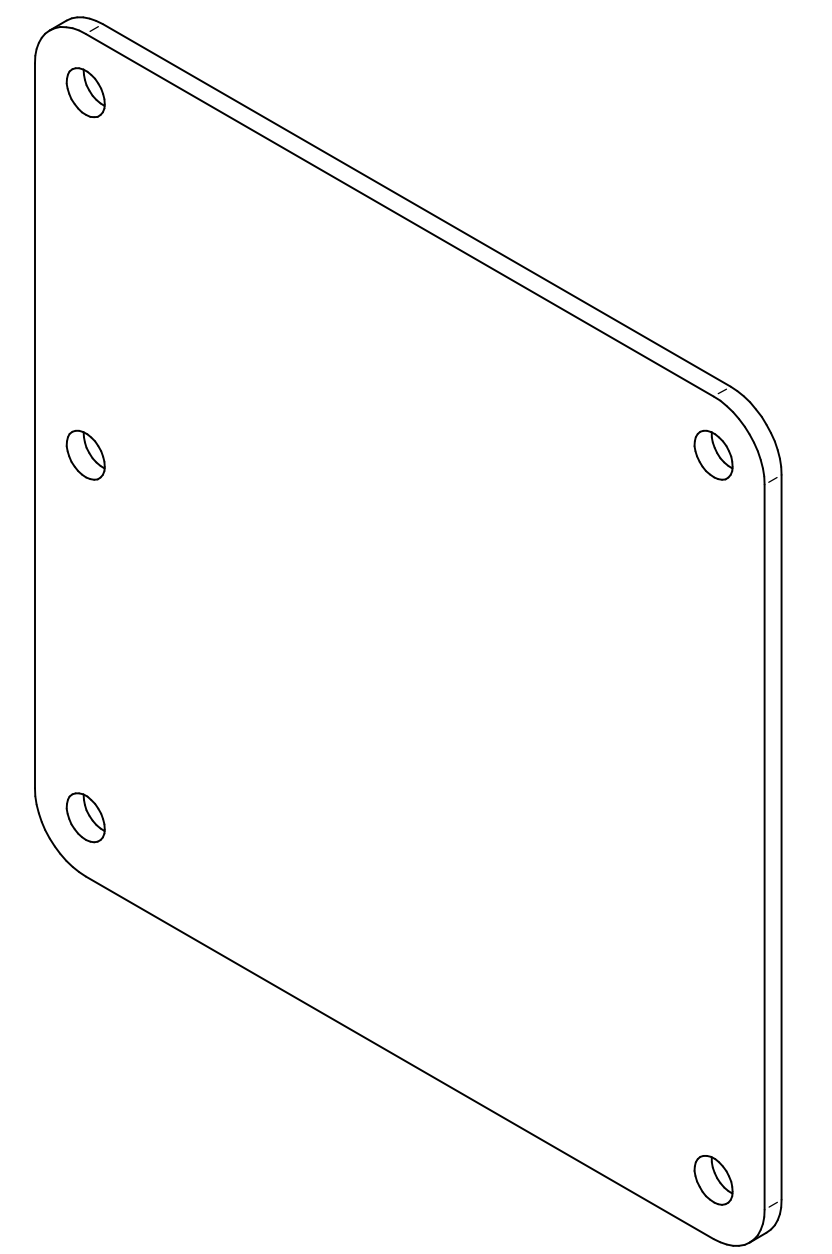
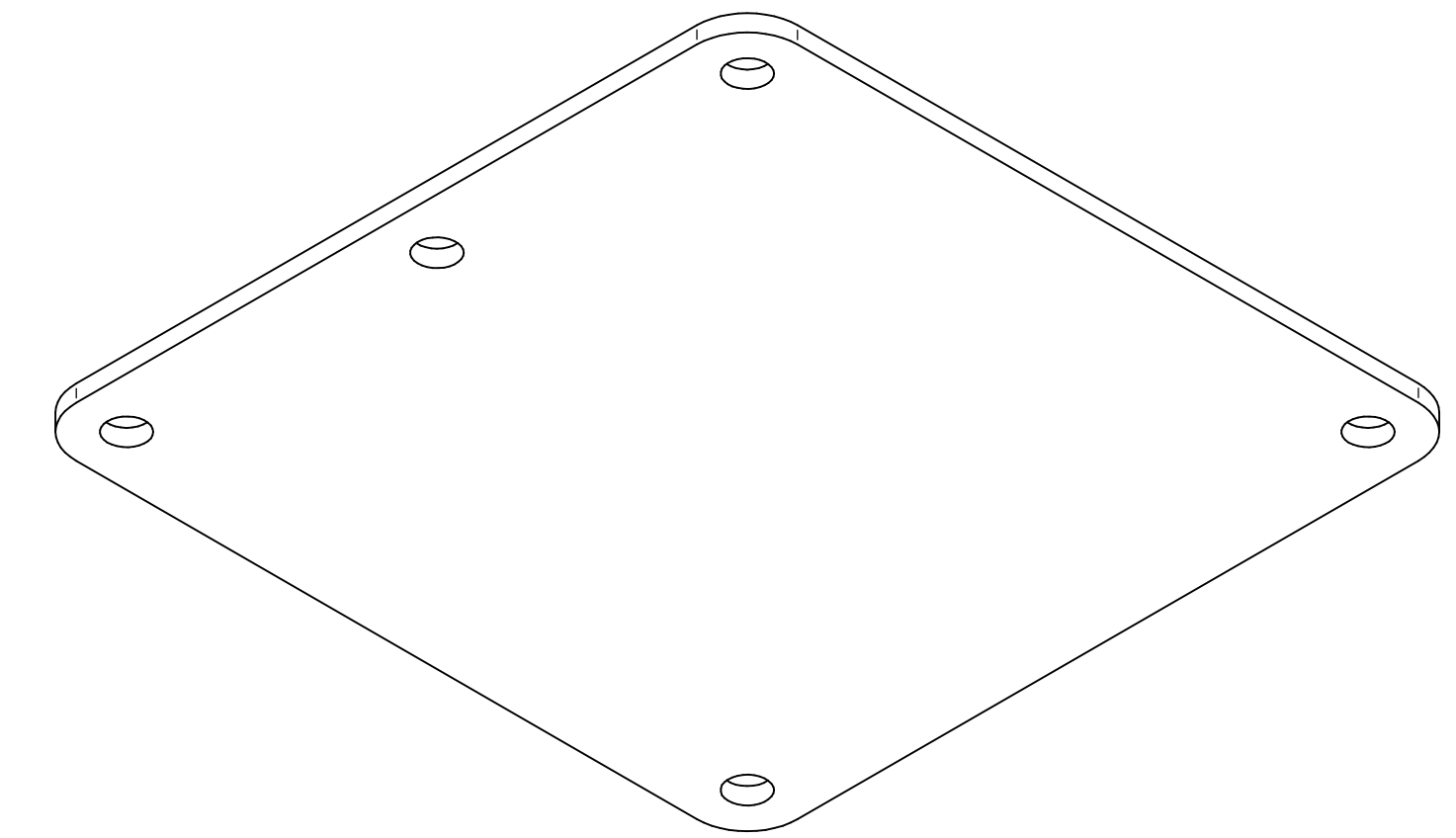


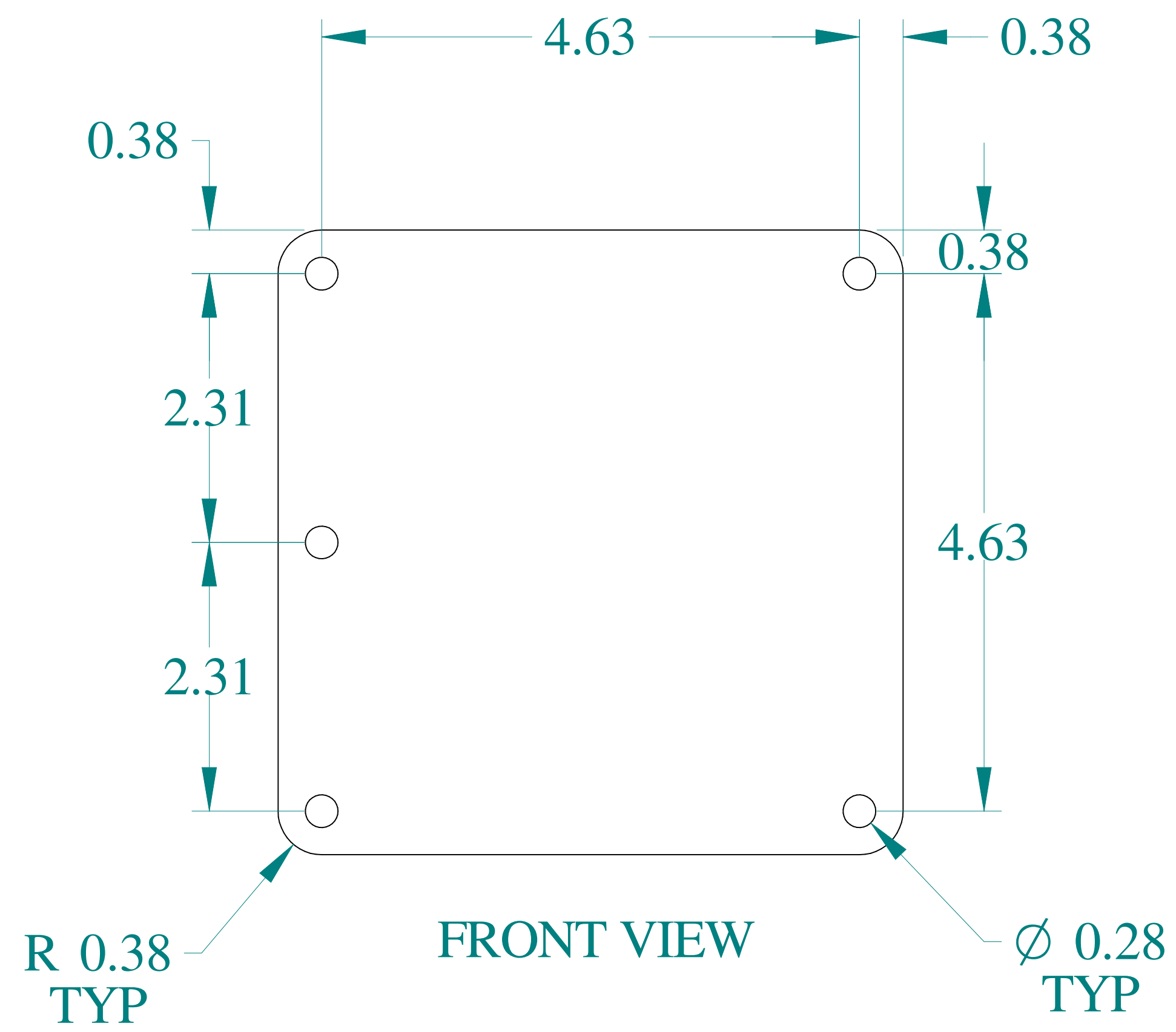
TOP VIEW



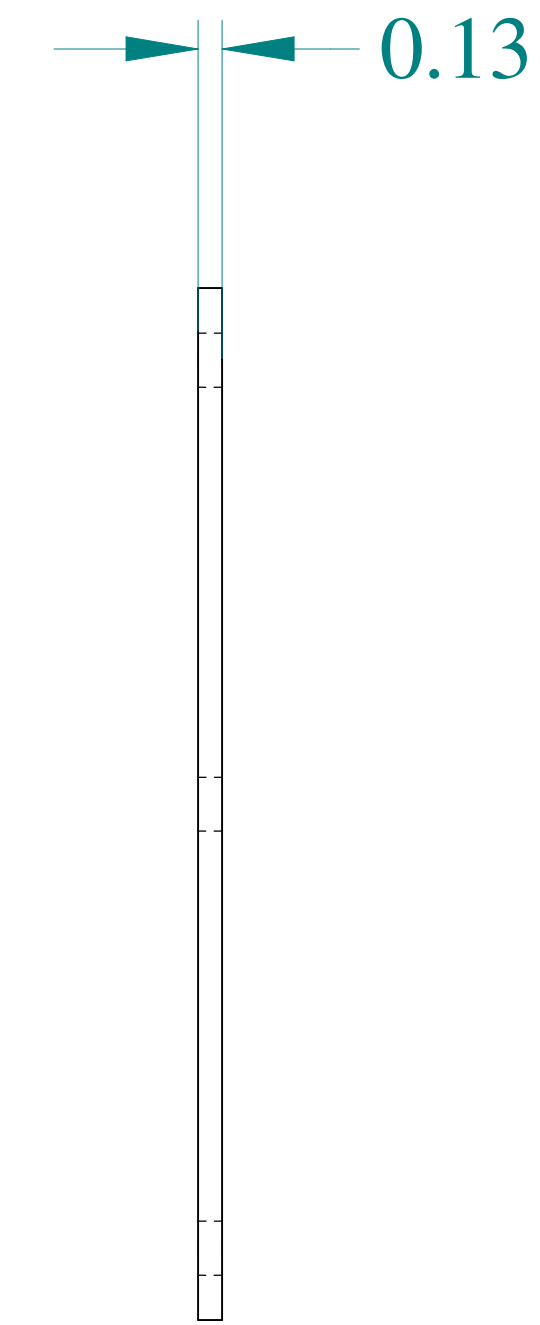
ISOMETRIC VIEWS



SIDE VIEW



FRONT VIEW



SIDE VIEW



Data subject to change without notice.

Part # : 1485CH

Date : Mar. 24, 2019

[Link:www.hamfmfg.com/1485CH](http://www.hamfmfg.com/1485CH)