



**HAMMOND
MANUFACTURING®**

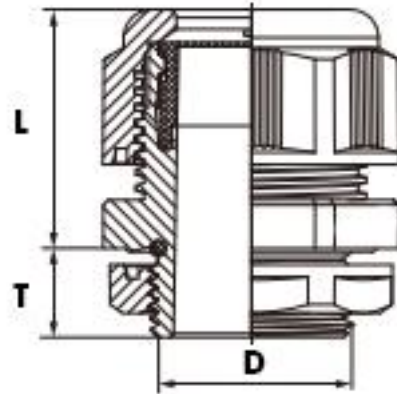
1427BCG Series

Nickel Plated Brass Cable Glands - PG Threads

- Liquid-tight cordgrip made from nickel plated brass
- Used where cable is entering or leaving an enclosure.
- Accepts a wide range of cable diameters due to large opening and NBR (nitrile rubber) seal.
- The strain relief elements tighten in a circular sequence on the sealing ring to give outstanding strain relief without twisting or damaging the cable.
- Use the cordgrip with the smallest maximum diameter that will fit your application (see table below).
- Locknut and EPDM o-ring included (as shown).
- Designed to meet NEMA Type 4, 4X, 6, 6P, 12 & 13 - Protection to IP68.
- UL listed.

Part Number

1427BCGPG13



Material	Nickel Plated Brass
Thread Size (D)	PG13
Wire Diameter Min.	6 mm
Wire Diameter Max.	12 mm
Outer Length (L)	23 mm
Inner Length (T)	6.5 mm

www.hammmfg.com/1427BCG