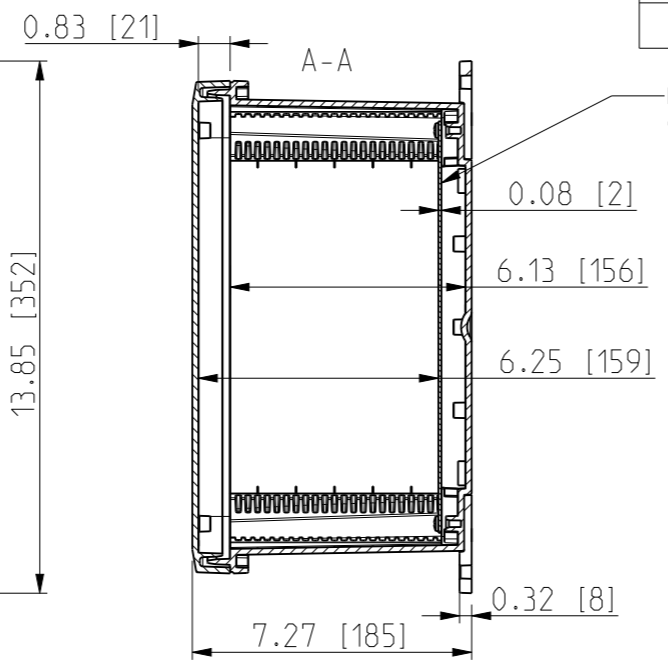
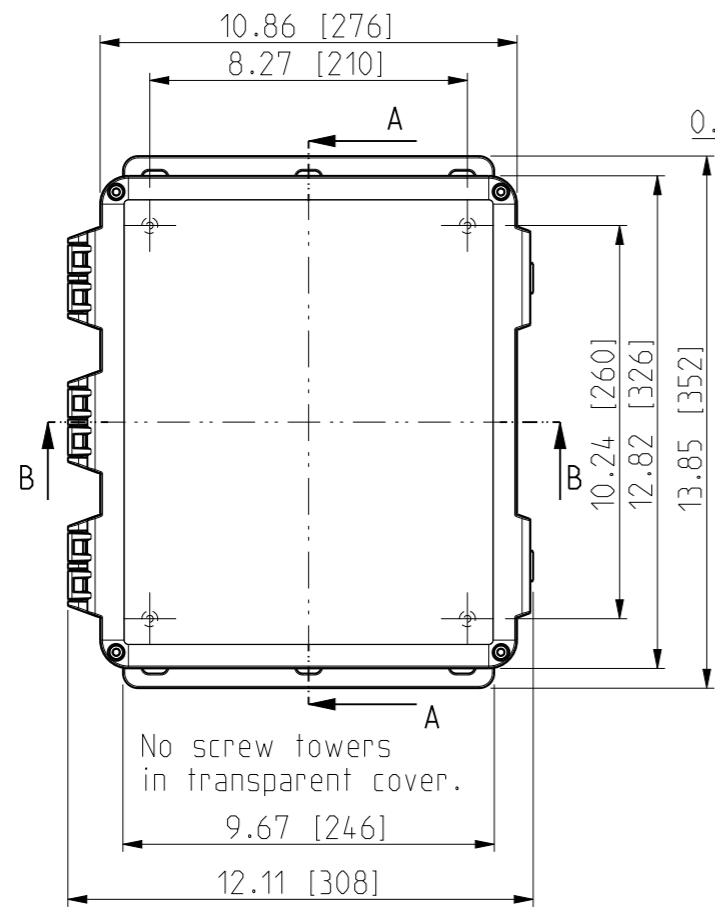
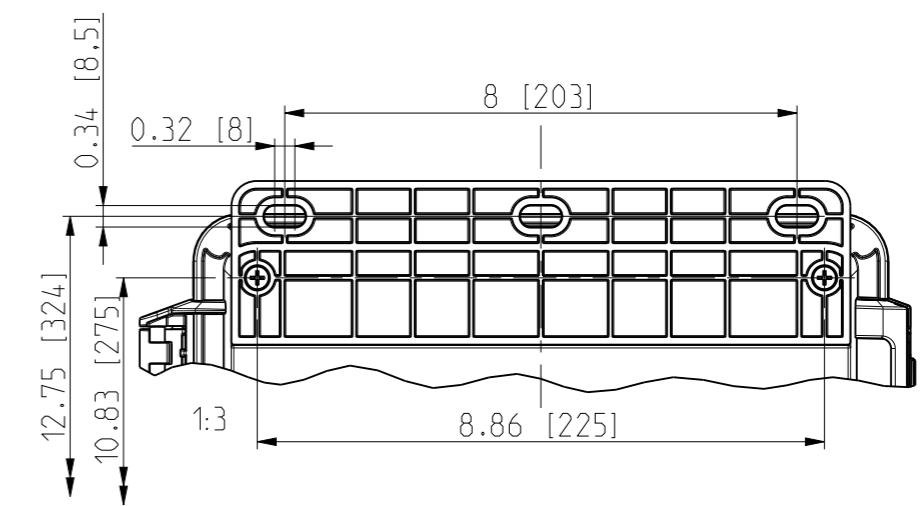


ID	Description	Date	By	Appr.
A		5.1.2018	KA	
B	Added more dimensions.	14.09.2018	MTN	

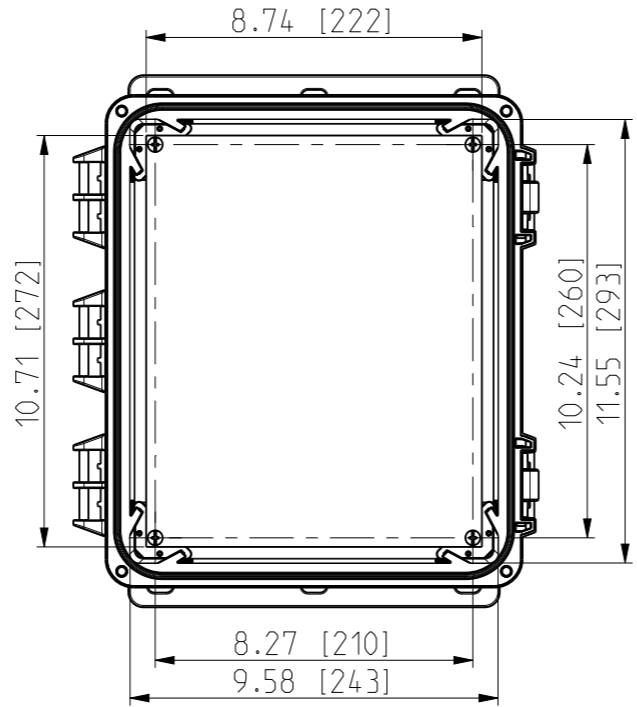


OPTIONAL BACK PANEL SHOWN

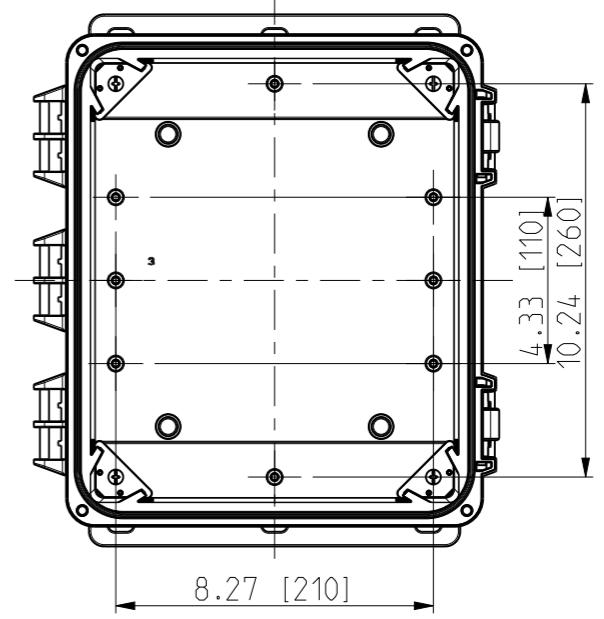


No screw towers in transparent cover.

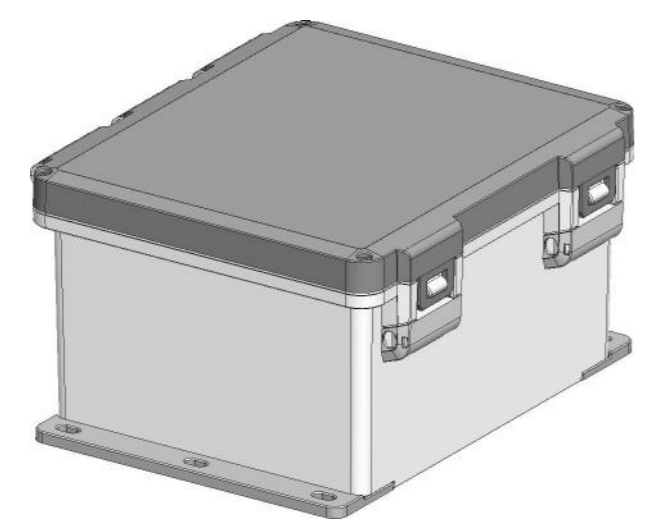
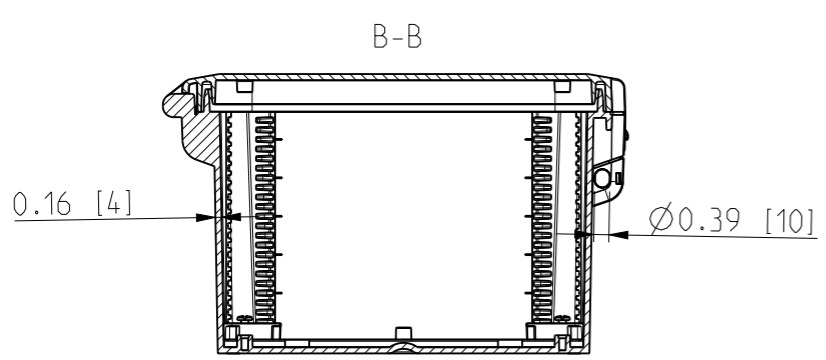
FRONT VIEW WITH COVER REMOVED AND BACK PANEL DISPLAYED



FRONT VIEW WITH COVER REMOVED



Dimensions in inches [mm]



Material: Polycarbonate		Ensto Mat:		Replaces:
<b>ENSTO</b> Ensto Finland Oy Ensto Smart Buildings		UPCG121006HNLF/UPC T121006HNLF		Replaced:
Scale 1:5 A3	Date 5.1.2018 By KA Checked	Dimensional drawing		Drw No: 000387045 B
Sheet No: 1 (1)	Ctrl			Ref: Polybox
				Code: UPCx121006HNLF