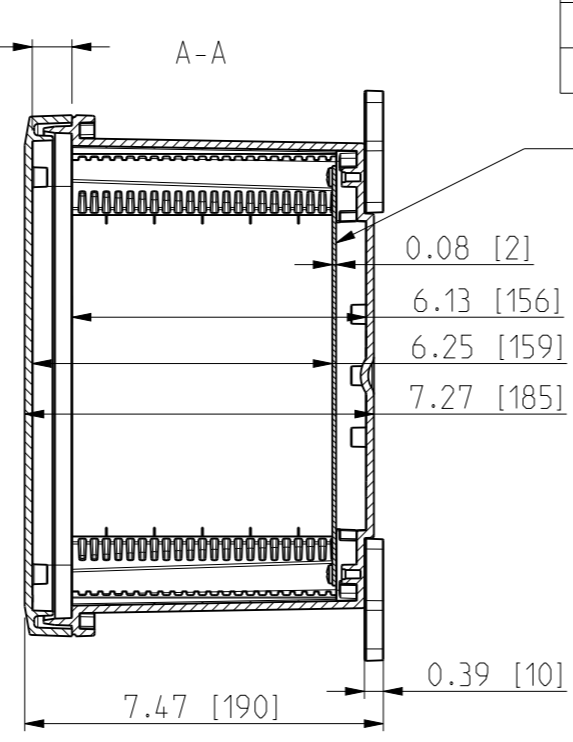
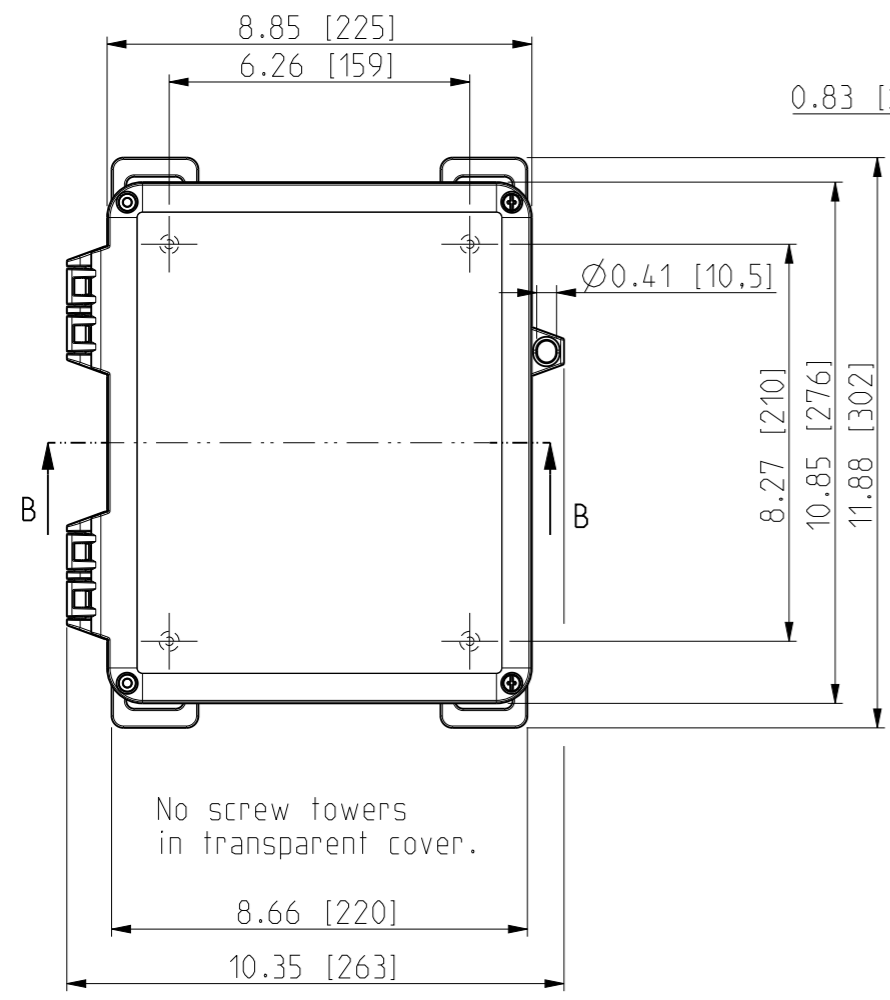
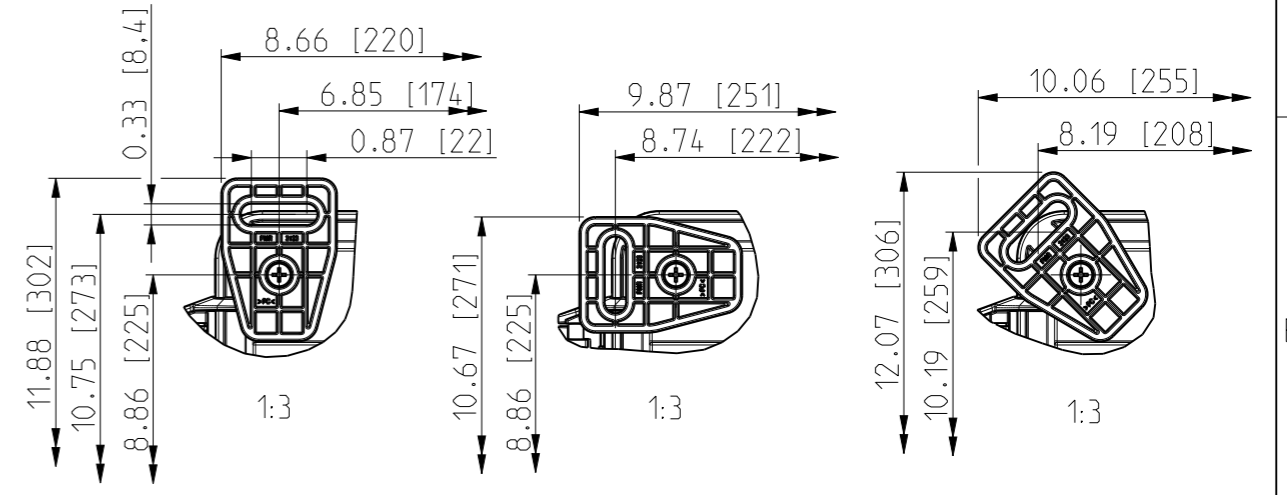


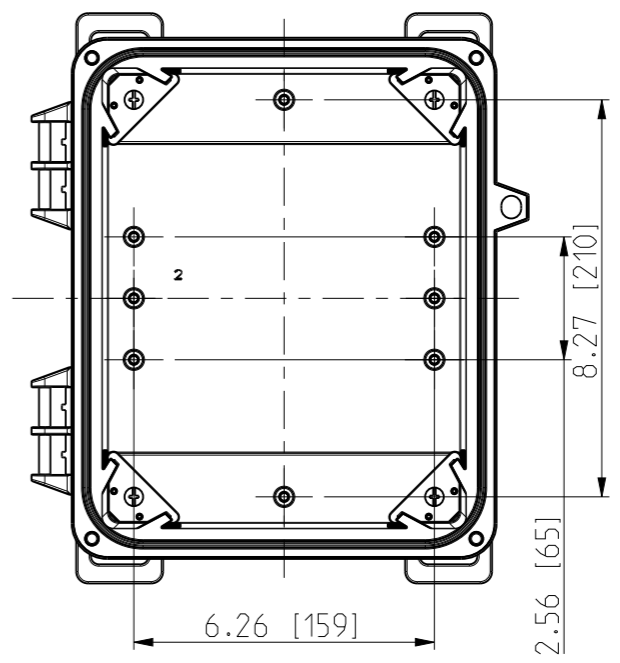
ID	Description	Date	By	Appr.
A		5.1.2018	KA	
B	Added more dimensions.	13.09.2018	MTN	



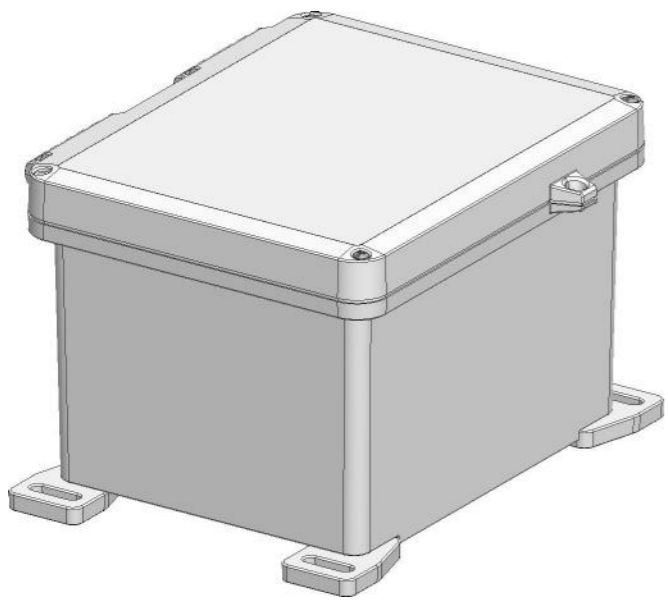
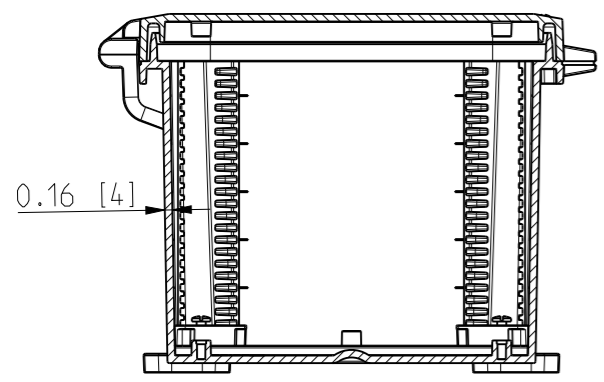
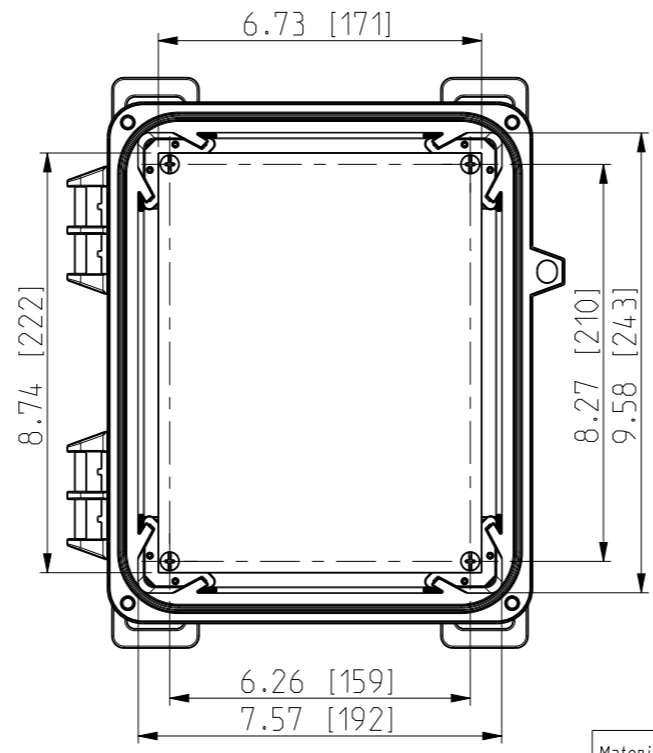
OPTIONAL BACK PANEL SHOWN



FRONT VIEW WITH COVER REMOVED



FRONT VIEW WITH COVER REMOVED AND BACK PANEL DISPLAYED



Dimensions in inches [mm]

Material: Polycarbonate		Ensto Mat:		Replaces:
ENSTO Ensto Finland Oy Ensto Smart Buildings				Replaced:
Scale 1:4 A3	Date 5.1.2018 By KA Checked	UPCG100806HS/UPCT100806HS Dimensional drawing		Drw No: 000386986 B
Sheet No: 1 (1)	Ctrl			Ref: Polybox
				Code: UPCx100806HS