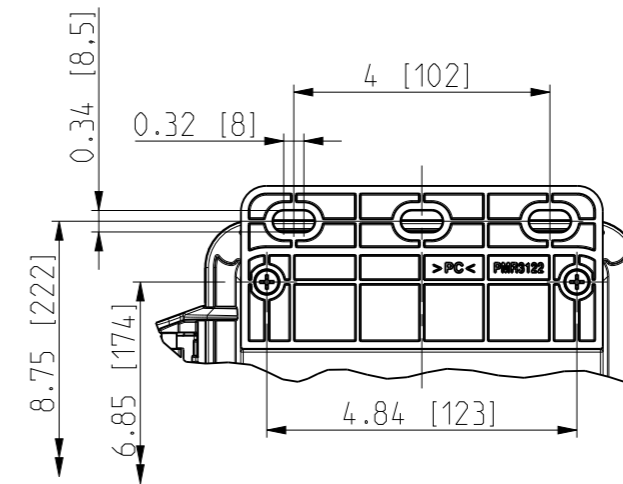
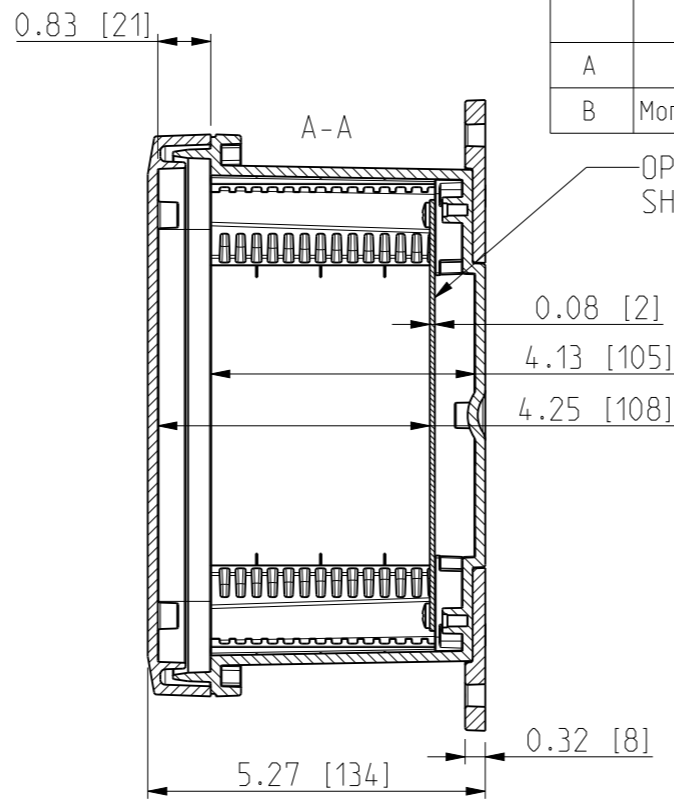
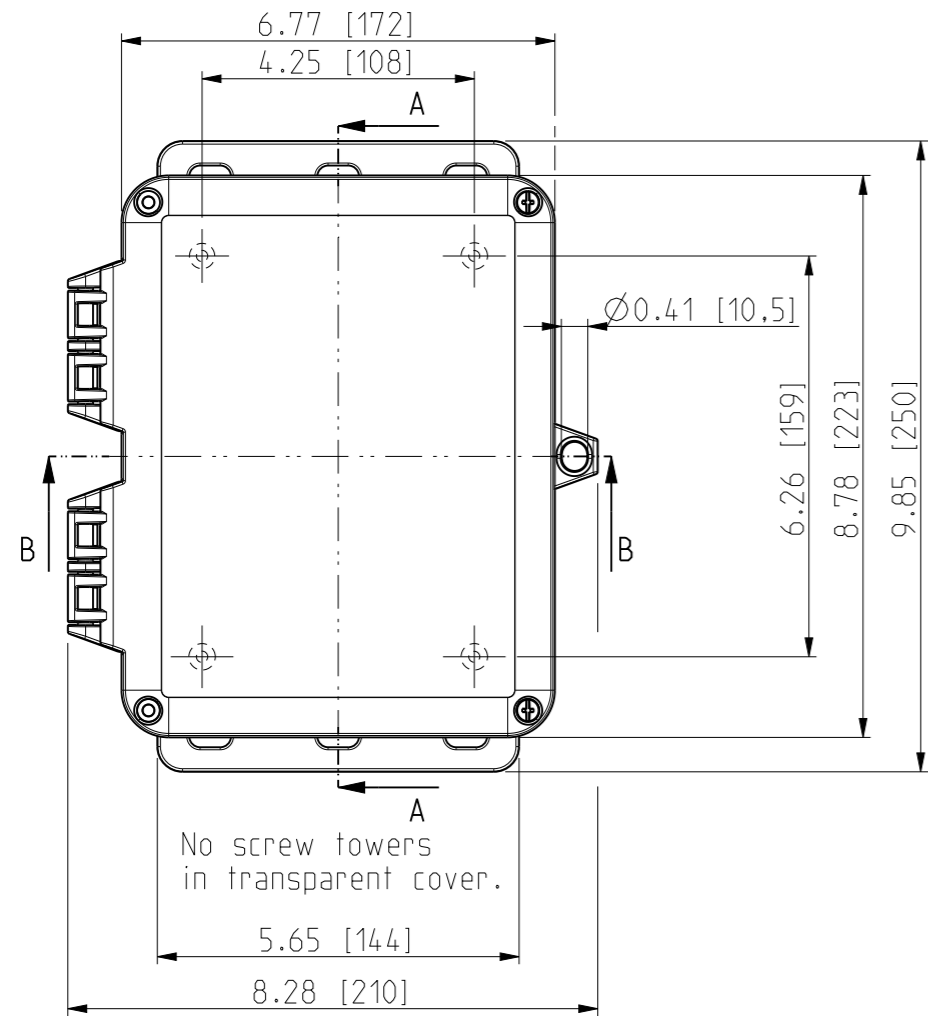
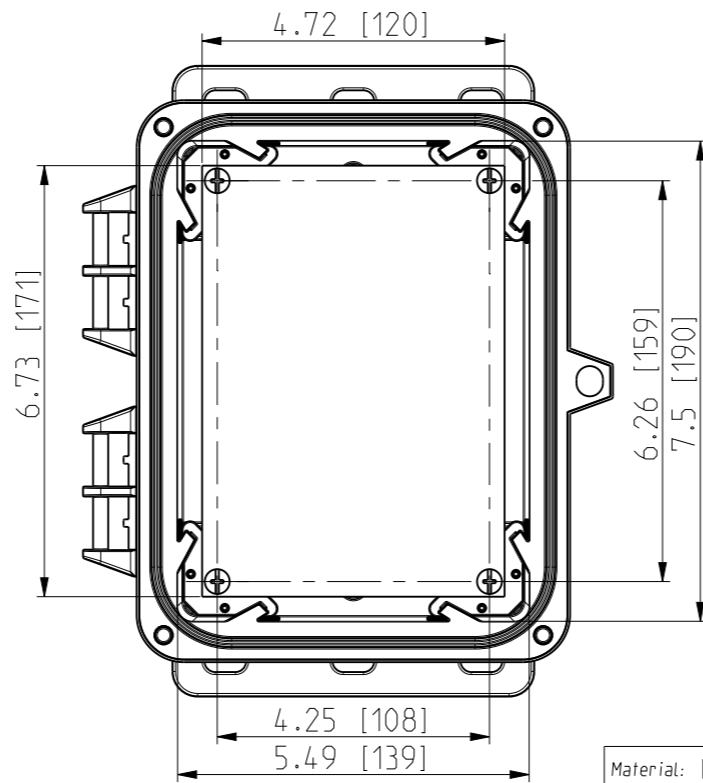


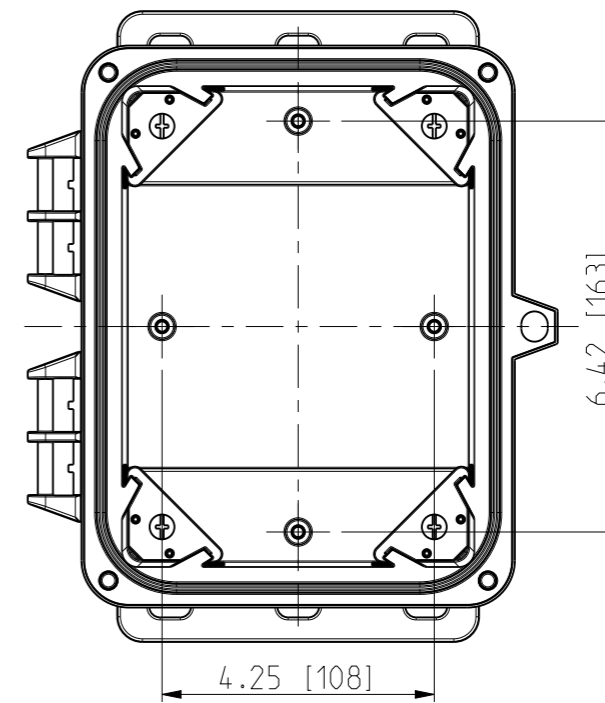
| ID | Description            | Date       | By  | Appr. |
|----|------------------------|------------|-----|-------|
| A  |                        | 3.1.2018   | KA  |       |
| B  | More dimensions added. | 13.09.2018 | MTN |       |



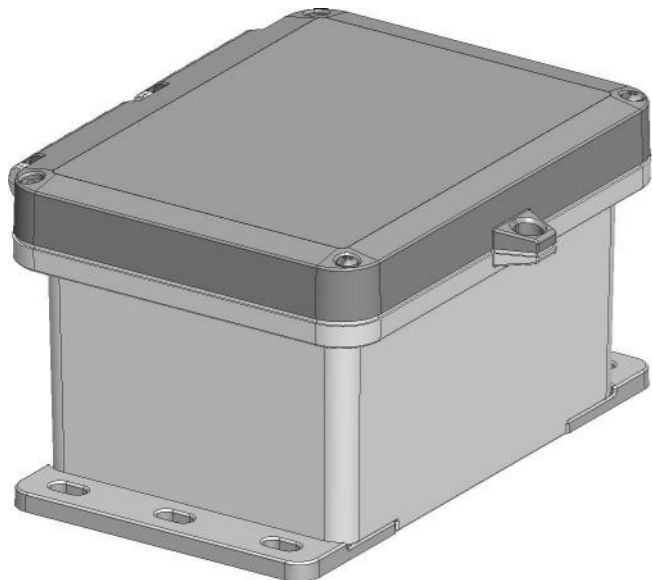
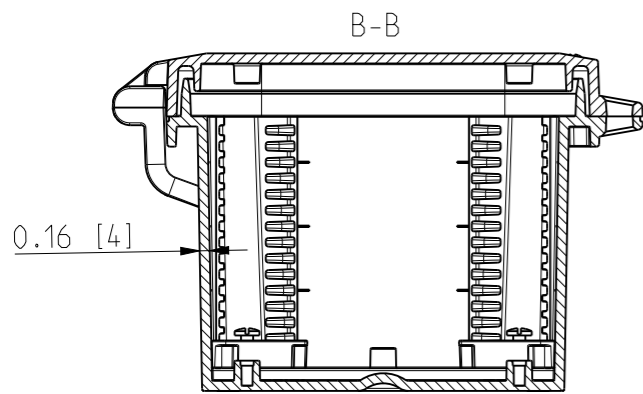
FRONT VIEW WITH COVER REMOVED AND BACK PANEL DISPLAYED



FRONT VIEW WITH COVER REMOVED



Dimensions in inches [mm]



|   |                  |                             |  |                        |
|---|------------------|-----------------------------|--|------------------------|
| Material: Polycarbonate                                   |                  | Ensto Mat:                  |  | Replaces:              |
| <b>ENSTO</b><br>Ensto Finland Oy<br>Ensto Smart Buildings |                  | UPCG080604HSF/UPCT080604HSF |  | Replaced:              |
| Scale<br>1:3  | Date<br>3.1.2018 | Dimensional drawing         |  | Drw No:<br>000386488 B |
| A3  | By<br>KA         |                             |  | Ref:<br>Polybox        |
| Sheet No:<br>1 (1)  | Checked          |                             |  | Code:<br>UPCx080604HSF |
|   | Ctrl             |                             |  |                        |