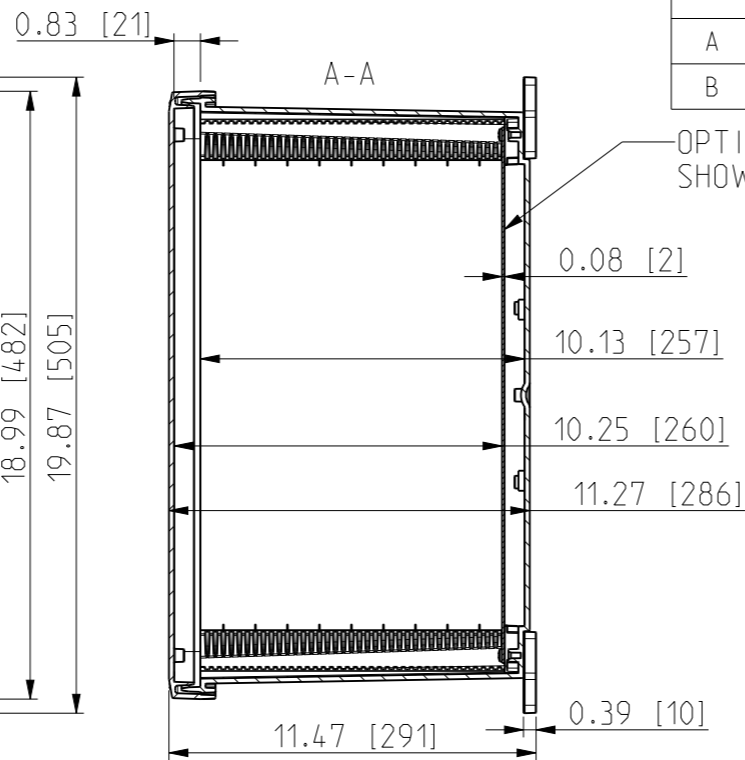
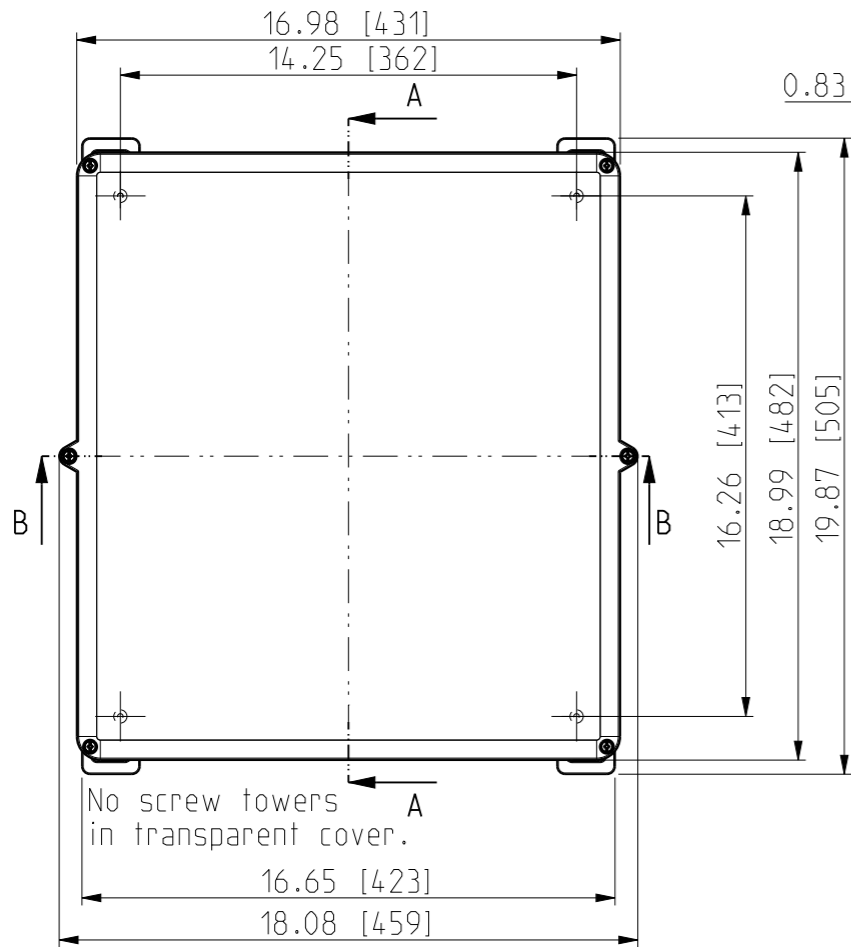
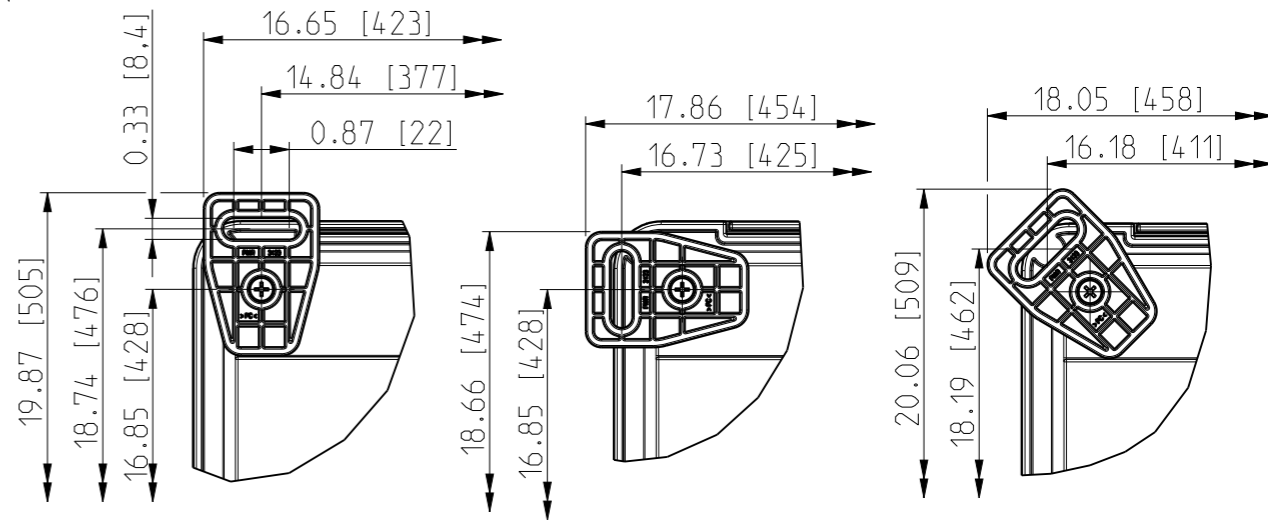


ID	Description	Date	By	Appr.
A		2.1.2018	KA	
B	Added more dimensions.	17.09.2018	MTN	

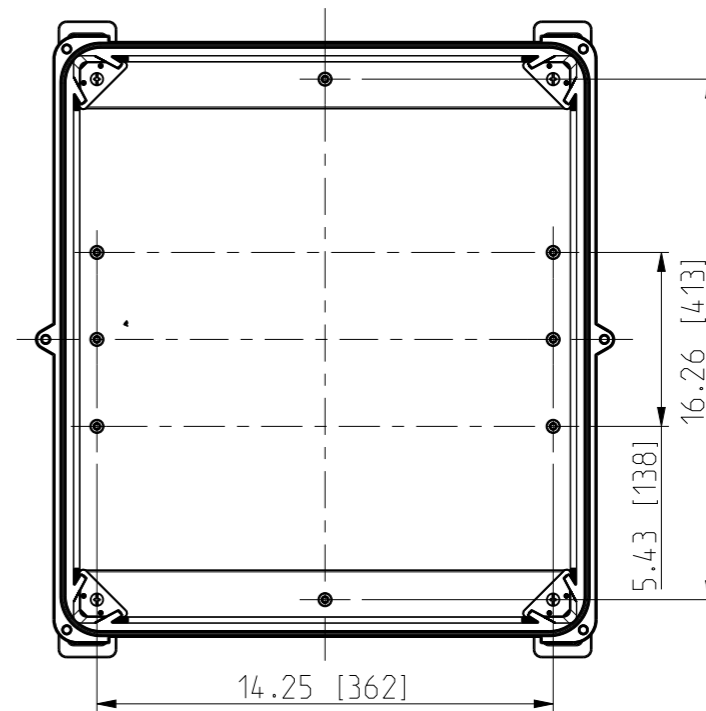
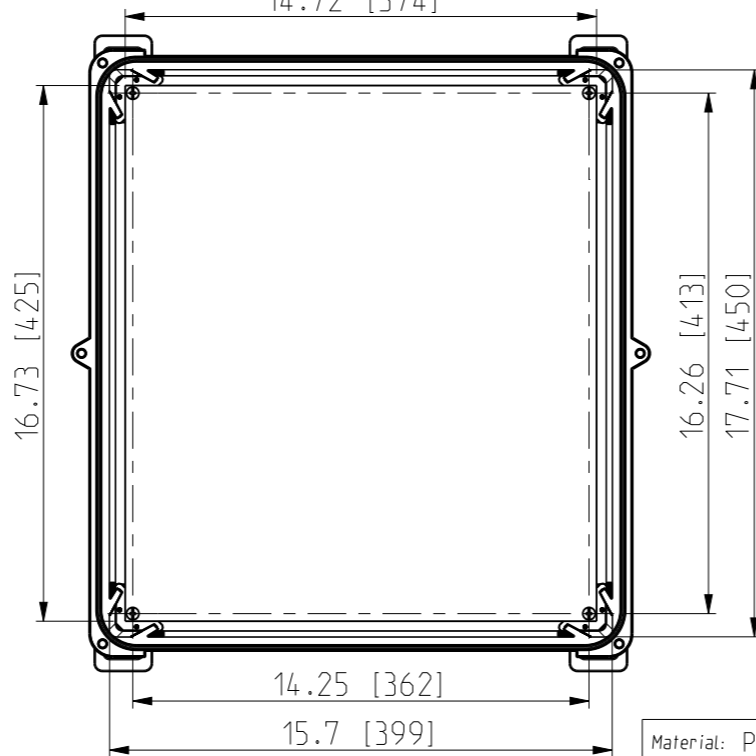
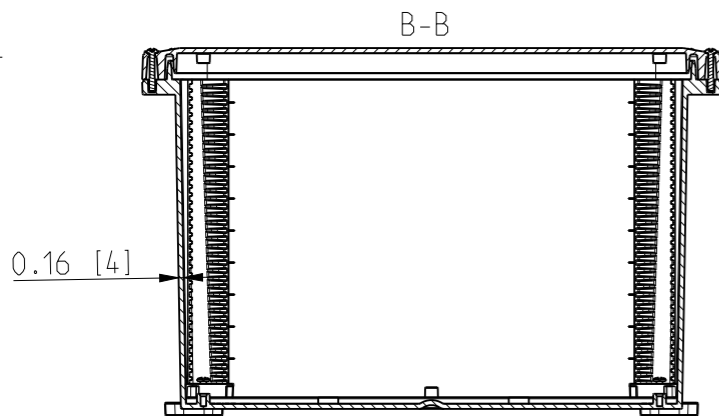


OPTIONAL BACK PANEL SHOWN

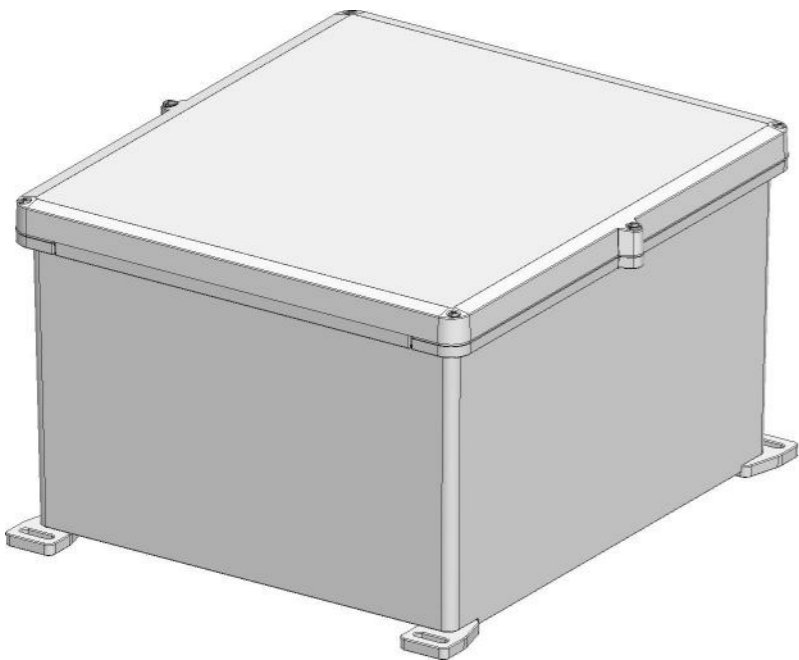


FRONT VIEW WITH COVER REMOVED

FRONT VIEW WITH COVER REMOVED AND BACK PANEL DISPLAYED



Dimensions in inches [mm]



Material: Polycarbonate		Ensto Mat:		
ENSTO Ensto Finland Oy Ensto Smart Buildings		UPCG181610/UPC T181610 Dimensional drawing		
Scale 1:6	Date 15.12.2017			Replaces:
A3	By KA			Replaced:
Sheet No: 1 (1)	Checked			Drw No: 000385257 B
	Ctrl	Ref: Polybox		
		Code: UPC x181610		