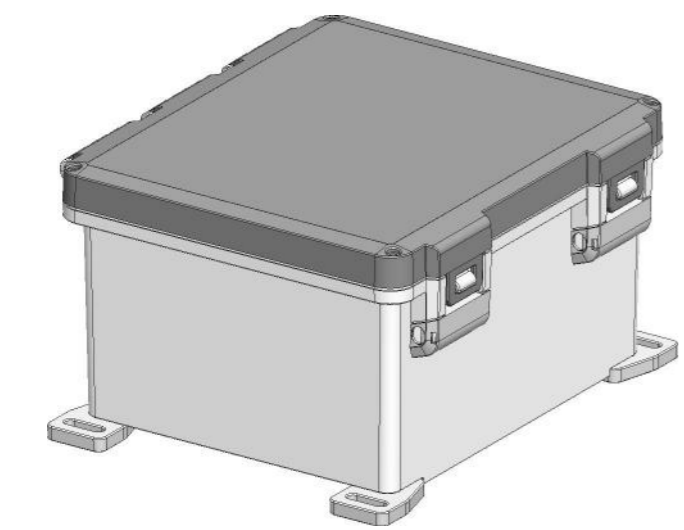
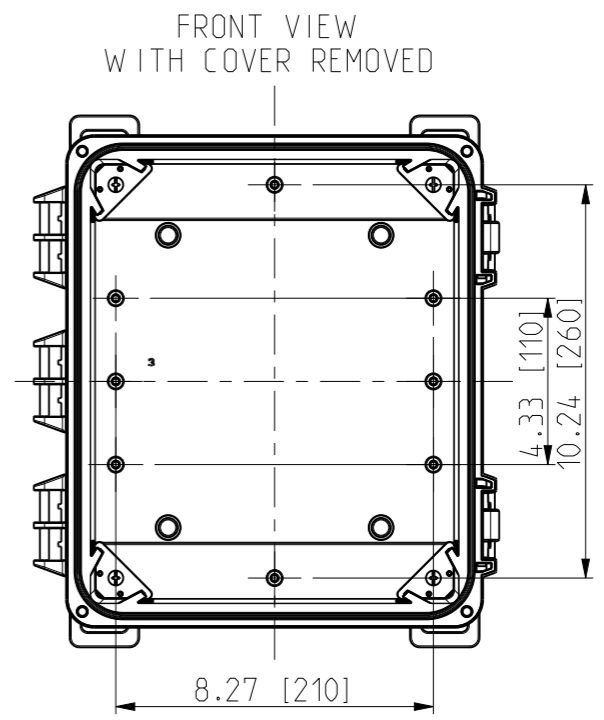
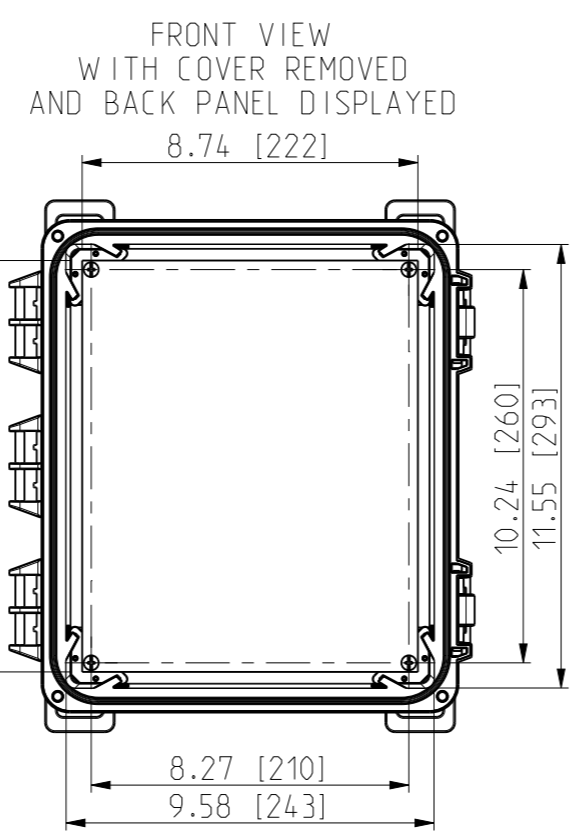
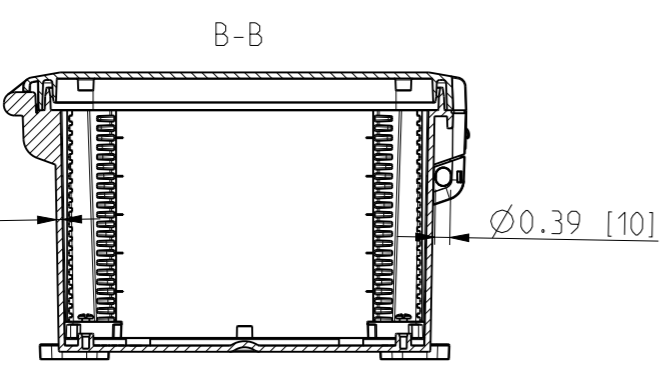
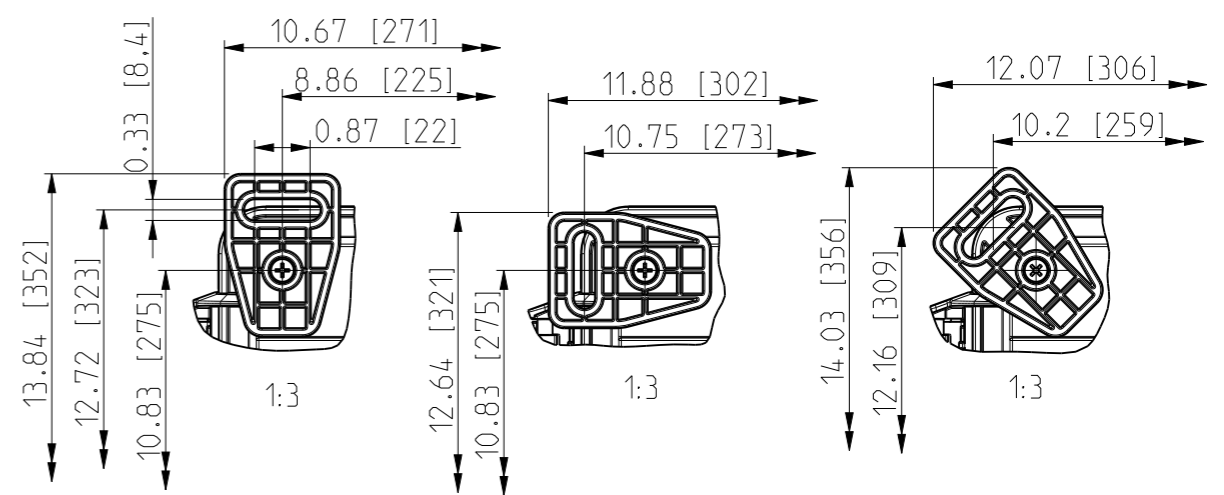
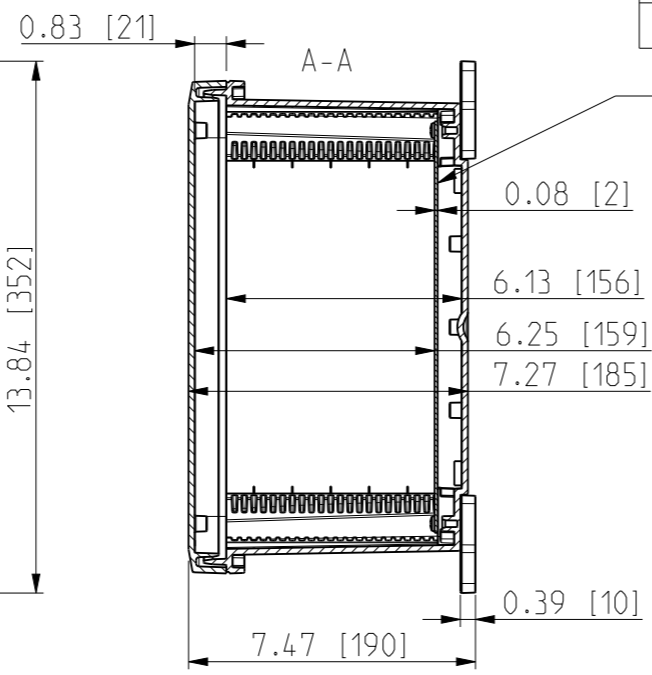
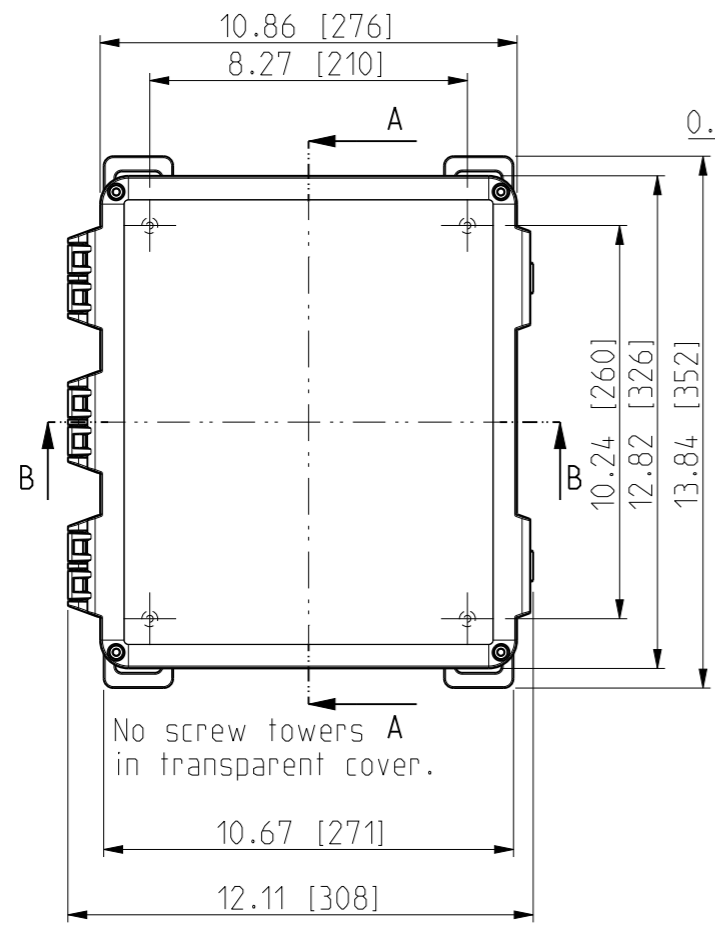


ID	Description	Date	By	Appr.
A		5.1.2018	KA	
B	Added more dimensions	14.09.2018	MTN	



Dimensions in inches [mm]

Material: Polycarbonate		Ensto Mat:	
 Ensto Finland Oy Ensto Smart Buildings		UPC G121006HNL / UPC T121006HNL	Replaces:
Scale 1:5	Date 5.1.2018		Replaced:
A3	By KA		Drw No: 000387121 B
Sheet No: 1 (1)	Checked		Ref: Polybox
Dimensional drawing		Code: UPC x121006HNL	