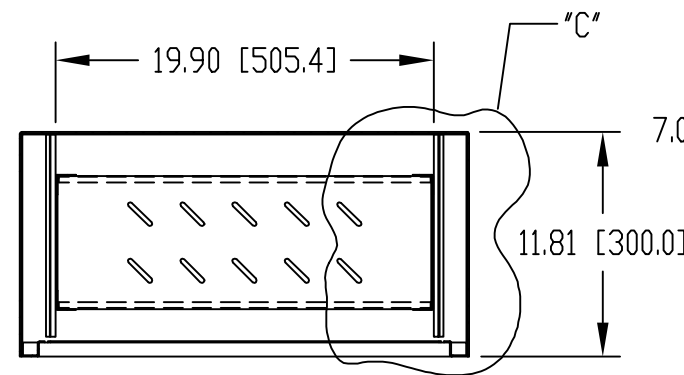
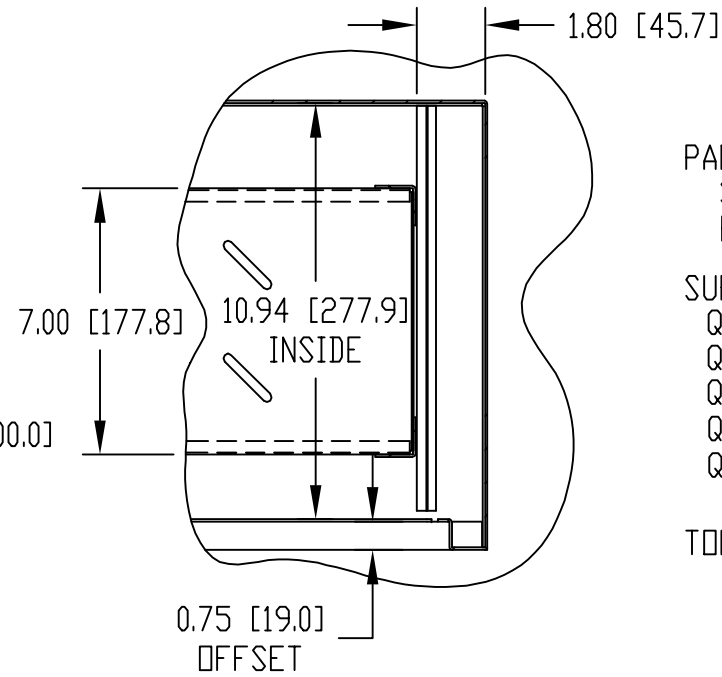


TOP VIEW

QTY. (2) FANS
125 VAC, 80 CFM EACH



SECTION "A-A"

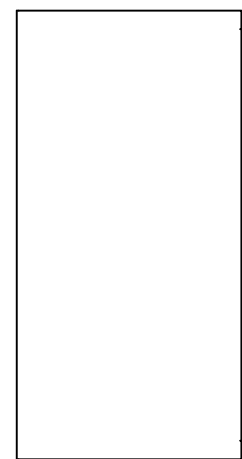


DETAIL "C"

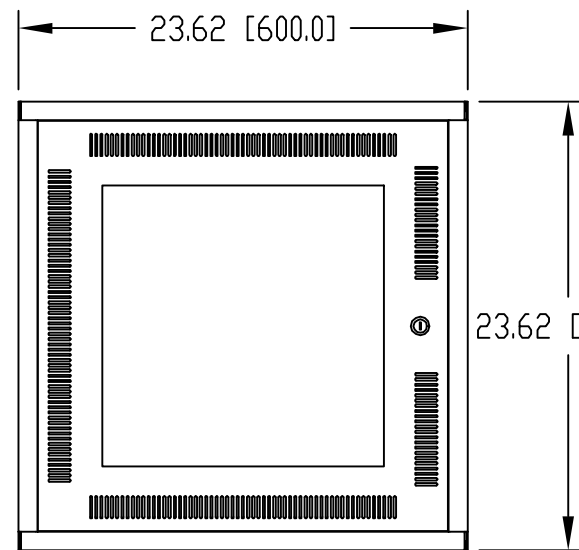
PANEL MOUNTING RAILS HAVE 0.350 [8.89] SQUARE HOLES ON E.I.A. UNIVERSAL HOLE SPACING

SUPPLIED HARDWARE KIT TO INCLUDE:
QTY. (25) M6x1.0 PITCH CAGE NUT
QTY. (25) M6x1.0 PITCH PAN HEAD SCREW
QTY. (25) NYLON FLAT WASHER
QTY. (4) RUBBER FEET
QTY. (6) KEYS

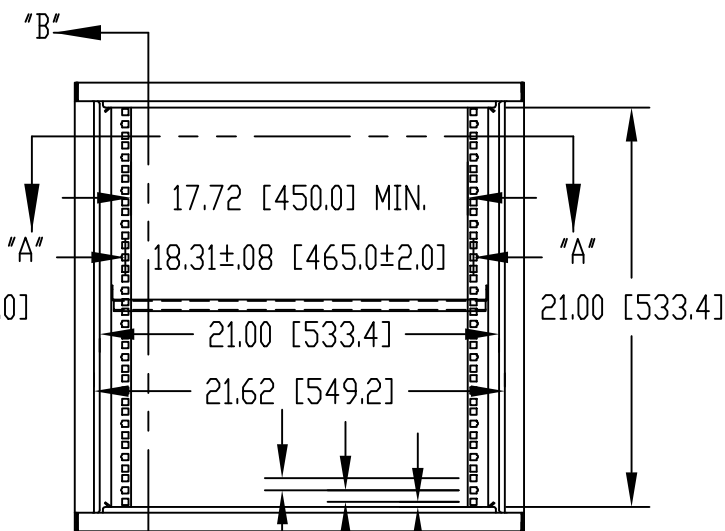
TOLERANCES: ALL DIMENSIONS ±0.08 [±2.0]



LEFT SIDE VIEW

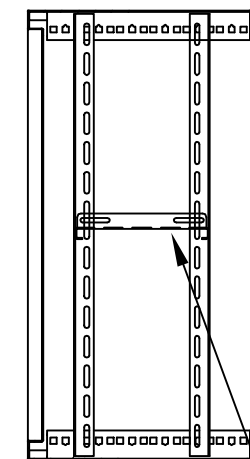


FRONT VIEW

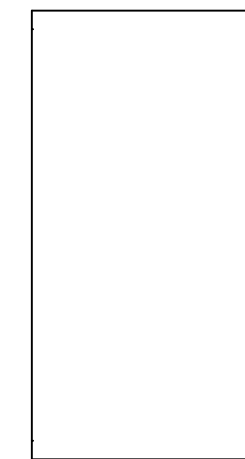


FRONT VIEW (DOOR REMOVED)

QTY. (4) ADJUSTABLE L-SHAPE PANEL MTG. RAILS

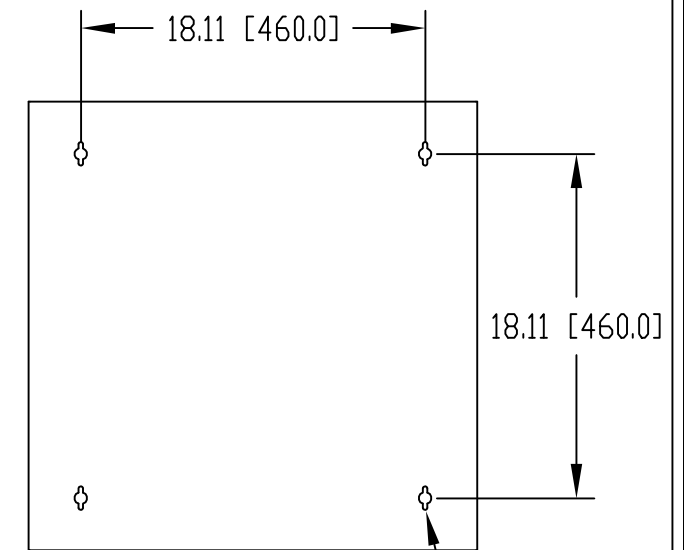


SECTION "B-B"



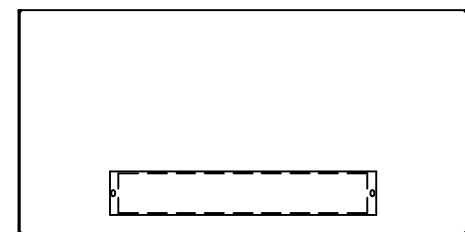
RIGHT SIDE VIEW

QTY. (1) VENTILATED SHELF ADJUSTABLE



BACK VIEW

SEE DETAIL "D"



BOTTOM VIEW

MATERIAL:
PANEL MOUNTING RAILS - 14 GA. [2.0mm] STEEL
SHELF - 18 GA. [1.2mm] STEEL
ALL OTHER PARTS - 18 GA. [1.2mm] STEEL

FINISH:
FINE TEXTURED BLACK POWDER COATING

