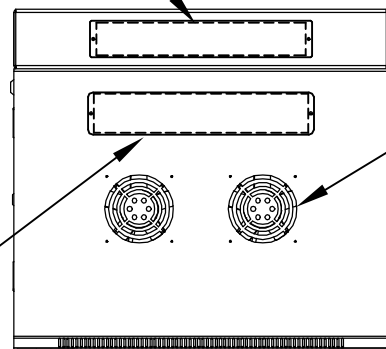


PART NAME	WALL MOUNT CABINET EMPEROR SERIES	PART No.	WM-5601 -5604 -5606	WM-5611 -5614 -5616	REV. DATE	1-19-12
-----------	-----------------------------------	----------	---------------------	---------------------	-----------	---------

2.10 [53.3] x 13.22 [335.7] CUTOUT
(3) PLACES



TOP VIEW

QTY. (2) FANS
125 VAC, 80 CFM EACH

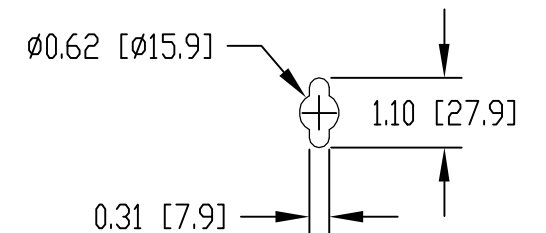
2.46 [62.4] x 13.53 [343.7] CUTOUT

MATERIAL:
PANEL MOUNTING RAILS - 14 GA [2.0mm] STEEL
SHELF - 18 GA. [1.2mm] STEEL
ALL OTHER PARTS - 18 GA. [1.2mm] STEEL

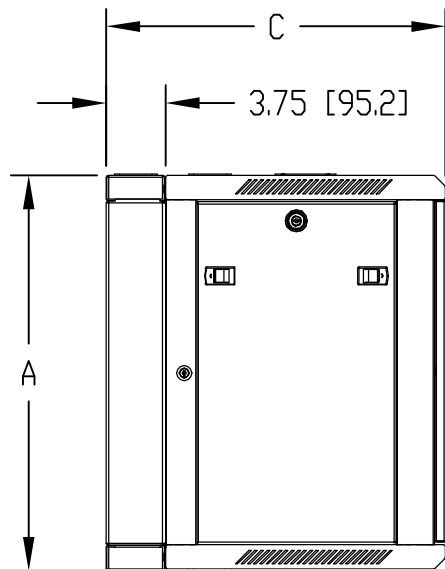
FINISH:
BLACK TEXTURED POWDER COATING

PANEL MOUNTING RAILS HAVE 0.350 [8.89] SQUARE HOLES
ON E.I.A. UNIVERSAL HOLE SPACING

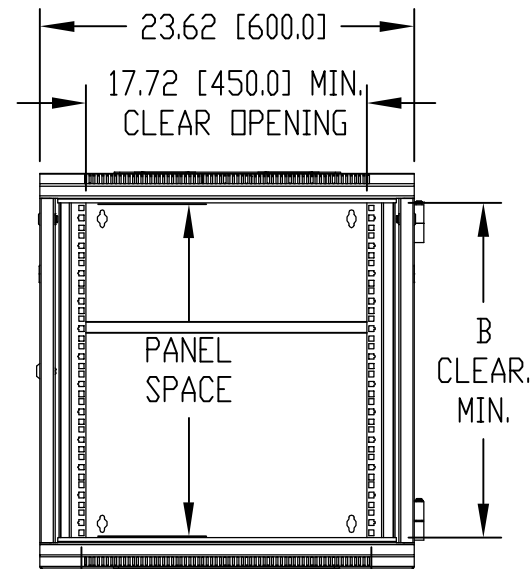
SUPPLIED HARDWARE KIT TO INCLUDE:
QTY. (25) M6x1.0 PITCH CAGE NUTS
QTY. (25) M6x1.0 PITCH PAN HEAD SCREWS
QTY. (25) NYLON FLAT WASHERS
QTY. (8) KEYS



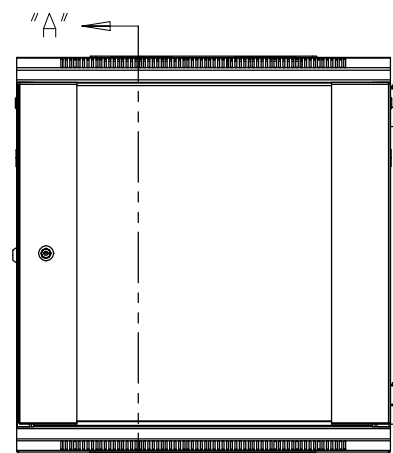
DETAIL "C"



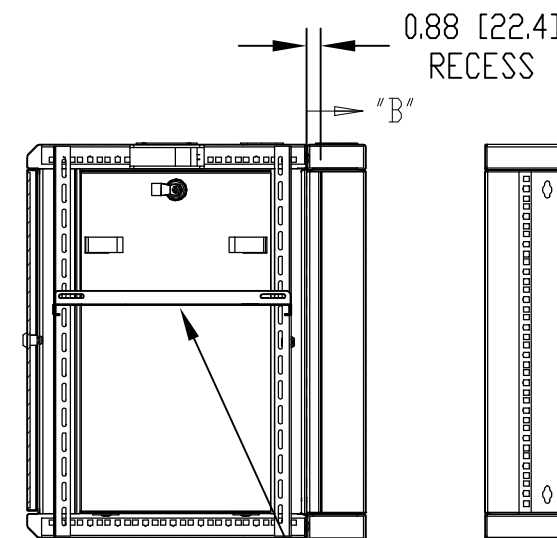
LEFT SIDE VIEW



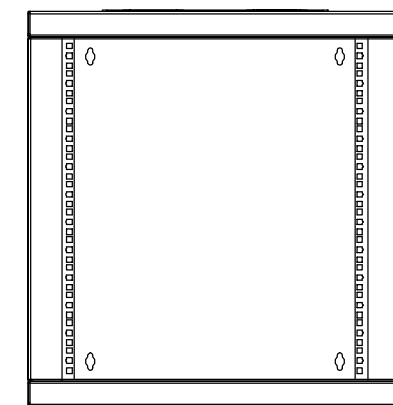
FRONT VIEW
(DOOR REMOVED)



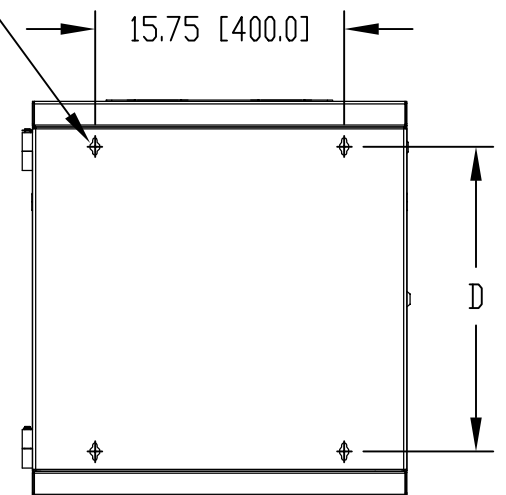
FRONT VIEW



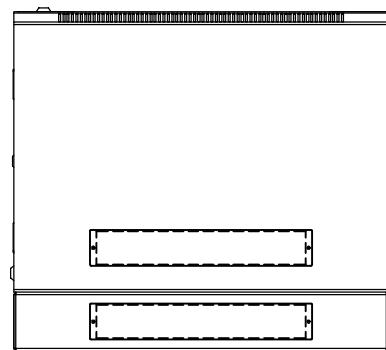
SECTION "A-A"



SECTION "B-B"



BACK VIEW



BOTTOM VIEW

QTY. (4)
ADJUSTABLE L-SHAPE
PANEL MOUNTING RAILS

QTY. (1)
VENTILATED SHELF
ADJUSTABLE
(FOR PART NUMBER -
SEE CHART)

TOLERANCES: ALL DIMENSIONS ±0.08 [±2.0]

PART NUMBER	UNIT	PANEL SPACE	DIMENSIONS				SHELF PART NO.
			A	B	C	D	
WM-5601	12U	21.00 [533.4]	25.00 [635.0]	21.14 [537.0]	15.75 [400.0]	19.25 [488.9]	SH-12703
WM-5604	19U	33.25 [844.6]	37.25 [946.2]	33.39 [848.2]	15.75 [400.0]	31.50 [800.1]	SH-12703
WM-5606	27U	47.25 [1200.2]	51.34 [1304.0]	47.48 [1206.0]	15.75 [400.0]	45.50 [1155.7]	SH-12703
WM-5611	12U	21.00 [533.4]	25.00 [635.0]	21.14 [537.0]	21.65 [550.0]	19.25 [488.9]	SH-12704
WM-5614	19U	33.25 [844.6]	37.25 [946.2]	33.39 [848.2]	21.65 [550.0]	31.50 [800.1]	SH-12704
WM-5616	27U	47.25 [1200.2]	51.34 [1304.0]	47.48 [1206.0]	21.65 [550.0]	45.50 [1155.7]	SH-12704