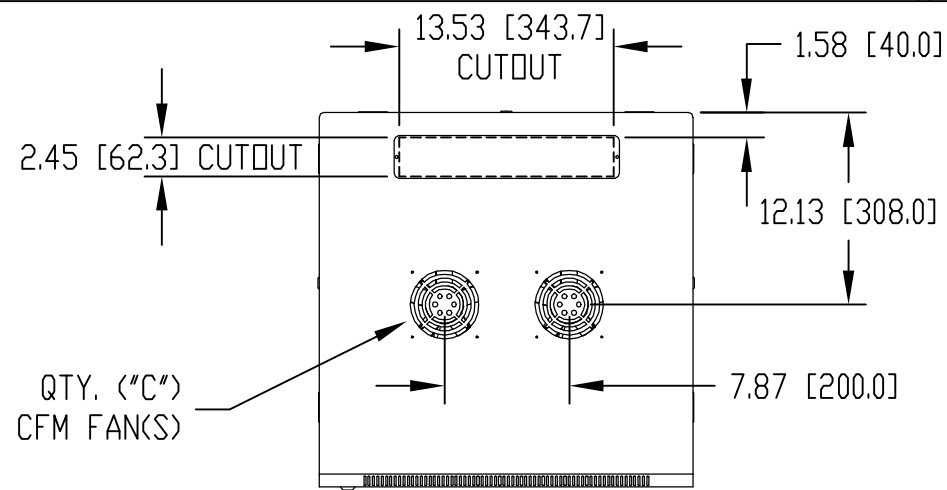


PART NAME	VISIONCAB (STYLE B)	PART No.	VC-9930-B to VC-9934-B	REV. DATE	8-19-13
-----------	---------------------	----------	------------------------	-----------	---------



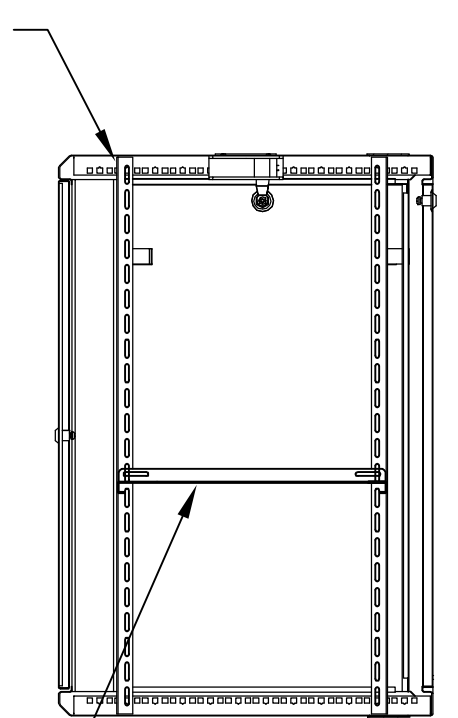
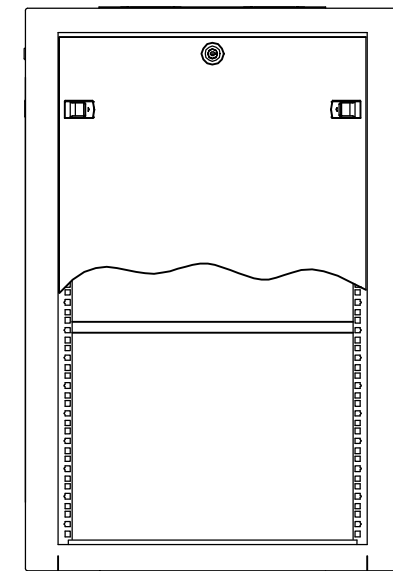
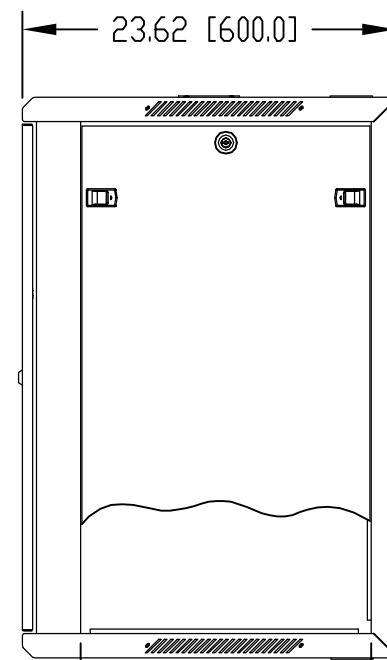
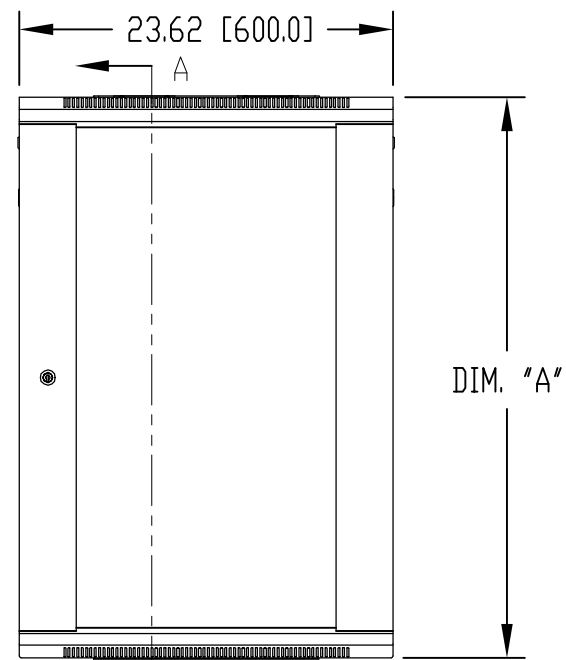
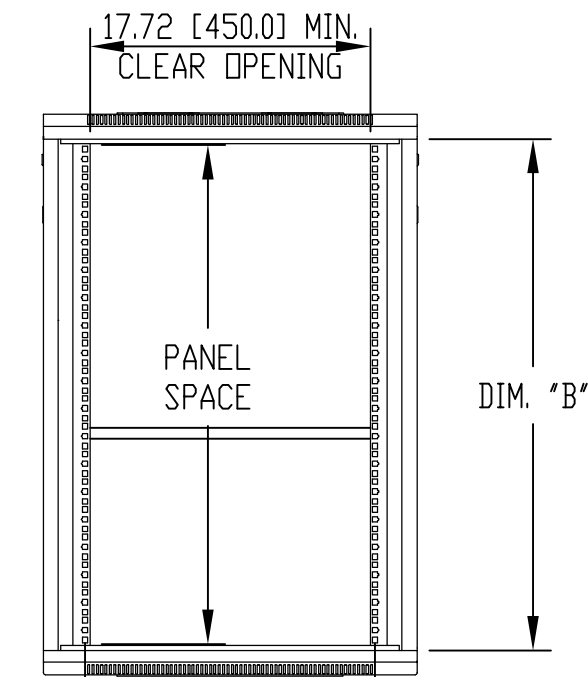
MATERIAL:  
 PANEL MOUNTING RAILS - 14 GA. [2.0mm] STEEL  
 SHELF - 18 GA. [1.2mm] STEEL  
 ALL OTHER PARTS - 18 GA. [1.2mm] STEEL

FINISH:  
 FINE TEXTURED BLACK POWDER COATING

PANEL MOUNTING RAILS HAVE 0.350 [8.89] SQUARE HOLES ON E.I.A. UNIVERSAL HOLE SPACING

SUPPLIED HARDWARE KIT TO INCLUDE:  
 QTY. (25) M6x1.0 PITCH CAGE NUT  
 QTY. (25) M6x1.0 PITCH PAN HEAD SCREW  
 QTY. (25) NYLON FLAT WASHER  
 QTY. (4) RUBBER FEET  
 QTY. (6) KEYS

TOP VIEW



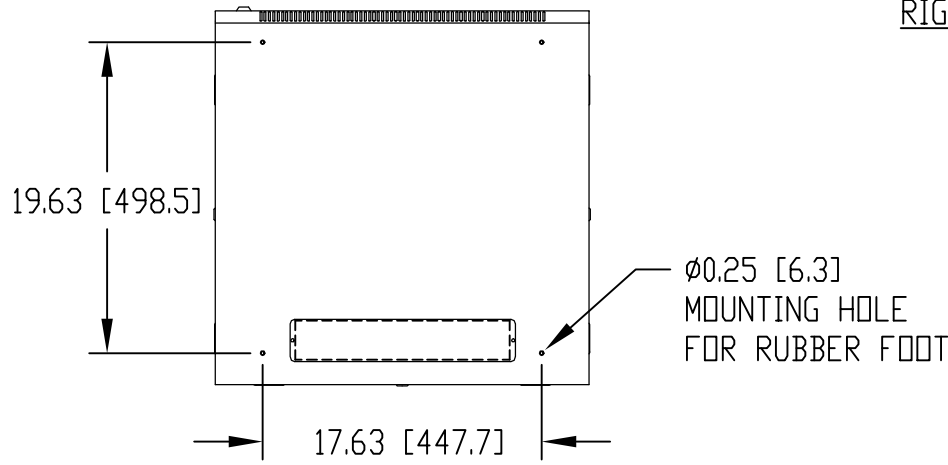
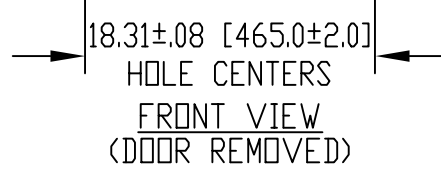
FRONT VIEW

RIGHT SIDE VIEW

BACK VIEW

SECTION A-A

QTY. (1) VENTILATED FIXED SHELF INCLUDED (FOR ADDITIONAL SHELVES, ORDER PART No. SH-12705)



BOTTOM VIEW

TOLERANCE: ±.08 [±2.0]

PART NO.	UNIT	PANEL SPACE	DIM. "A"	DIM. "B"	QTY. "C"
VC-9930-B	6U	10.50 [266.7]	14.49 [368.0]	11.35 [288.2]	(1)
VC-9931-B	9U	15.75 [400.1]	19.69 [500.0]	16.54 [420.2]	(1)
VC-9932-B	12U	21.00 [533.4]	25.00 [635.0]	21.86 [555.2]	(2)
VC-9933-B	15U	26.25 [666.8]	30.28 [769.0]	27.13 [689.2]	(2)
VC-9934-B	18U	31.50 [800.1]	35.43 [900.0]	32.29 [820.2]	(2)