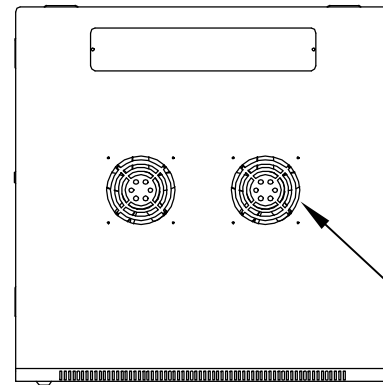


|           |           |          |                    |                    |           |         |
|-----------|-----------|----------|--------------------|--------------------|-----------|---------|
| PART NAME | VISIONCAB | PART No. | VC-9920 to VC-9924 | VC-9930 to VC-9934 | REV. DATE | 5-26-10 |
|-----------|-----------|----------|--------------------|--------------------|-----------|---------|

PANEL MOUNTING RAILS HAVE 0.350 [8.89] SQUARE HOLES ON E.I.A. UNIVERSAL HOLE SPACING

SUPPLIED HARDWARE KIT TO INCLUDE:  
 QTY. (25) M6x1.0 PITCH CAGE NUT  
 QTY. (25) M6x1.0 PITCH PAN HEAD SCREW  
 QTY. (25) NYLON FLAT WASHER  
 QTY. (4) RUBBER FEET  
 QTY. (6) KEYS

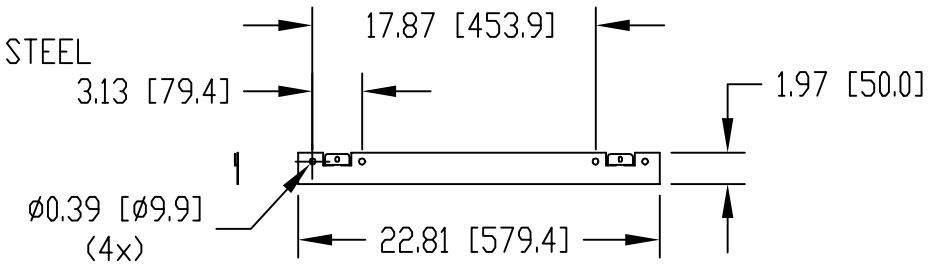


TOP VIEW

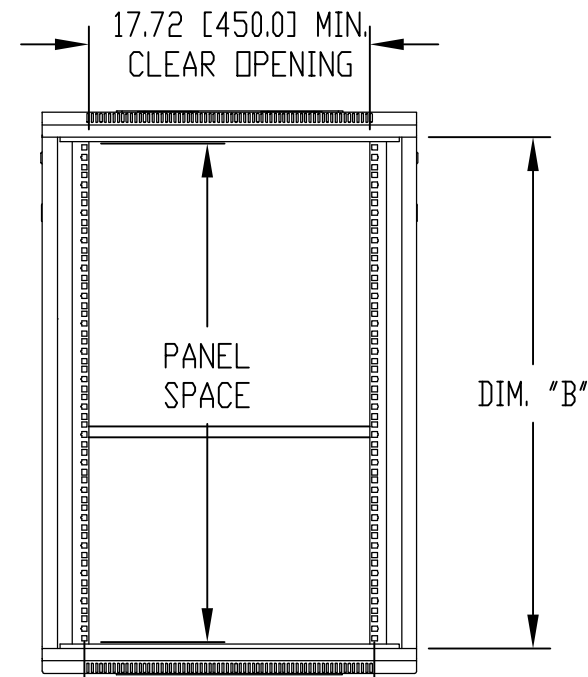
MATERIAL:  
 PANEL MOUNTING RAILS - 14 GA. [2.0mm] STEEL  
 SHELF & WALL MOUNTING BRACKET - 18 GA. [1.2mm] STEEL  
 ALL OTHER PARTS - 18 GA. [1.2mm] STEEL

FINISH:  
 FINE TEXTURED BLACK POWDER COATING

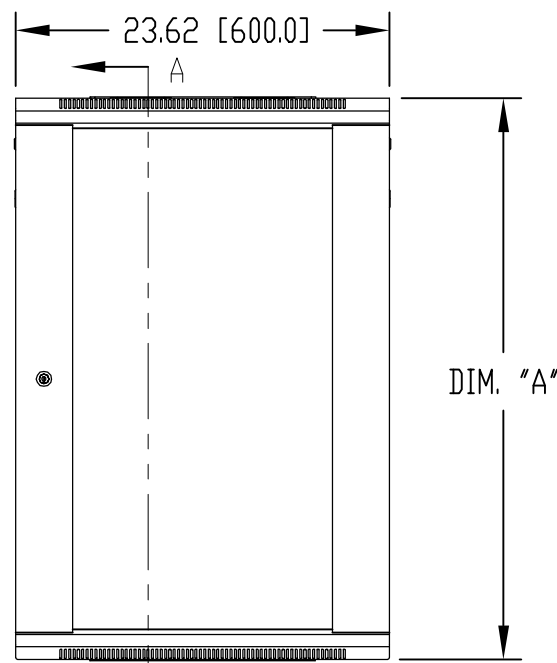
QTY. ("F")  
 110 VAC, 65 CFM FAN(S)



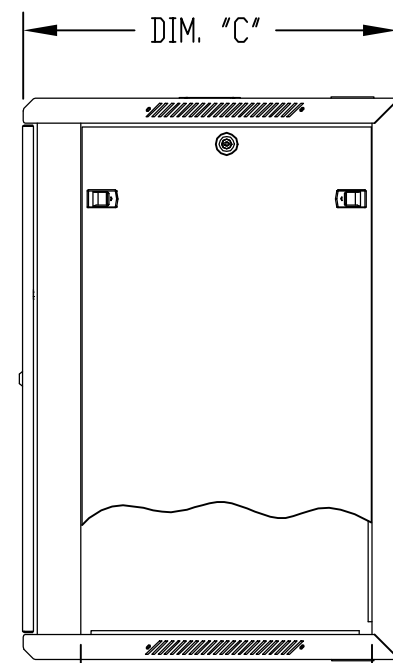
BRACKET DETAIL



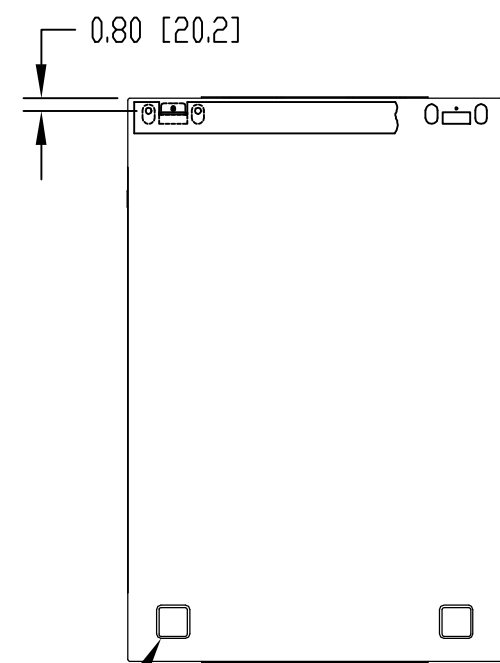
FRONT VIEW (DOOR REMOVED)



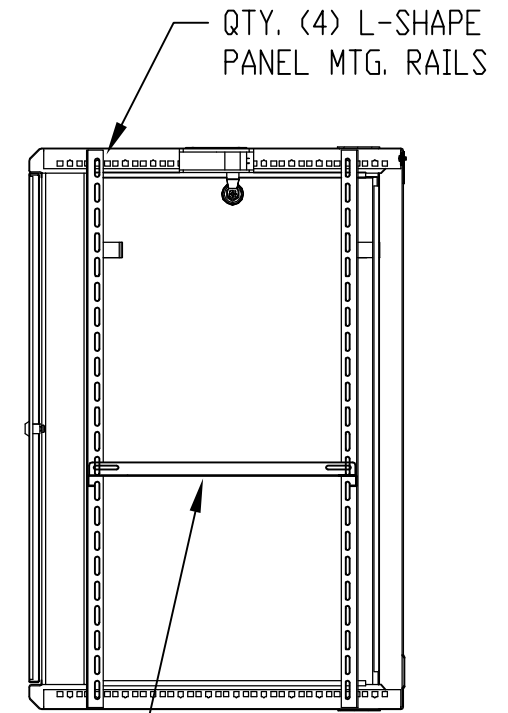
FRONT VIEW



RIGHT SIDE VIEW

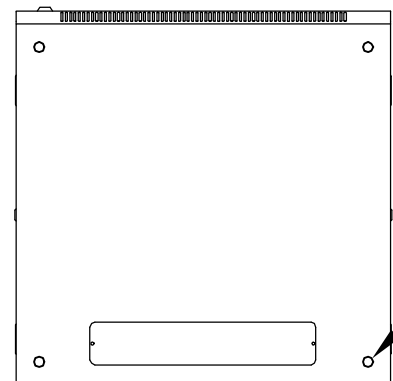


BACK VIEW



SECTION A-A

QTY. (1) VENTILATED FIXED SHELF (FOR PART NUMBER - SEE CHART)



BOTTOM VIEW

MOUNTING HOLE FOR RUBBER FOOT

| PART NO. | UNIT | PANEL SPACE   | DIM. "A"      | DIM. "B"      | DIM. "C"      | DIM. "D"      | DIM. "E"      | QTY. "F" | SHELF P/N |
|----------|------|---------------|---------------|---------------|---------------|---------------|---------------|----------|-----------|
| VC-9920  | 6U   | 10.50 [266.7] | 14.49 [368.0] | 11.35 [288.2] | 17.72 [450.0] | 12.48 [317.0] | 11.21 [284.8] | (1)      | SH-12704  |
| VC-9921  | 9U   | 15.75 [400.1] | 19.69 [500.0] | 16.54 [420.2] | 17.72 [450.0] | 12.48 [317.0] | 11.21 [284.8] | (1)      | SH-12704  |
| VC-9922  | 12U  | 21.00 [533.4] | 25.00 [635.0] | 21.86 [555.2] | 17.72 [450.0] | 12.48 [317.0] | 11.21 [284.8] | (2)      | SH-12704  |
| VC-9923  | 15U  | 26.25 [666.8] | 30.28 [769.0] | 27.13 [689.2] | 17.72 [450.0] | 12.48 [317.0] | 11.21 [284.8] | (2)      | SH-12704  |
| VC-9924  | 18U  | 31.50 [800.1] | 35.43 [900.0] | 32.29 [820.2] | 17.72 [450.0] | 12.48 [317.0] | 11.21 [284.8] | (2)      | SH-12704  |
| VC-9930  | 6U   | 10.50 [266.7] | 14.49 [368.0] | 11.35 [288.2] | 23.62 [600.0] | 18.39 [467.0] | 17.12 [434.8] | (1)      | SH-12705  |
| VC-9931  | 9U   | 15.75 [400.1] | 19.69 [500.0] | 16.54 [420.2] | 23.62 [600.0] | 18.39 [467.0] | 17.12 [434.8] | (1)      | SH-12705  |
| VC-9932  | 12U  | 21.00 [533.4] | 25.00 [635.0] | 21.86 [555.2] | 23.62 [600.0] | 18.39 [467.0] | 17.12 [434.8] | (2)      | SH-12705  |
| VC-9933  | 15U  | 26.25 [666.8] | 30.28 [769.0] | 27.13 [689.2] | 23.62 [600.0] | 18.39 [467.0] | 17.12 [434.8] | (2)      | SH-12705  |
| VC-9934  | 18U  | 31.50 [800.1] | 35.43 [900.0] | 32.29 [820.2] | 23.62 [600.0] | 18.39 [467.0] | 17.12 [434.8] | (2)      | SH-12705  |