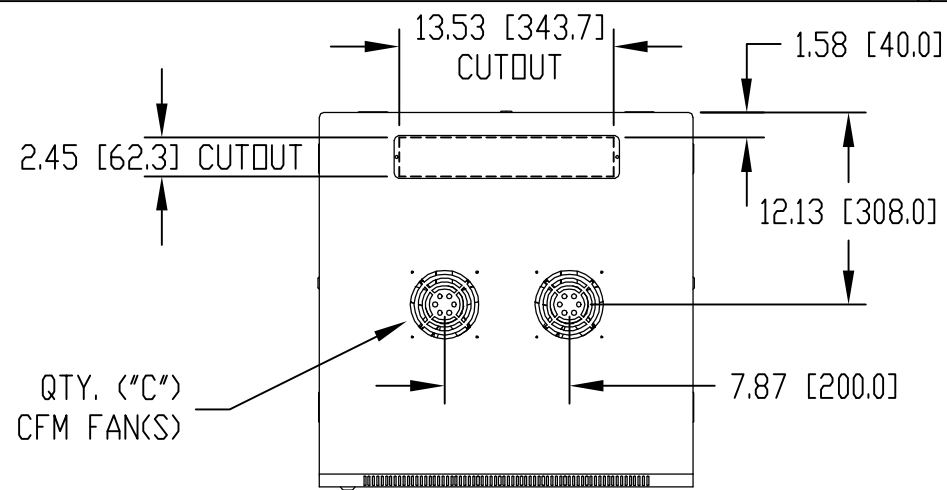


PART NAME	VISIONCAB (STYLE B)	PART No.	VC-9930-B to VC-9934-B	REV. DATE	8-19-13
-----------	---------------------	----------	------------------------	-----------	---------



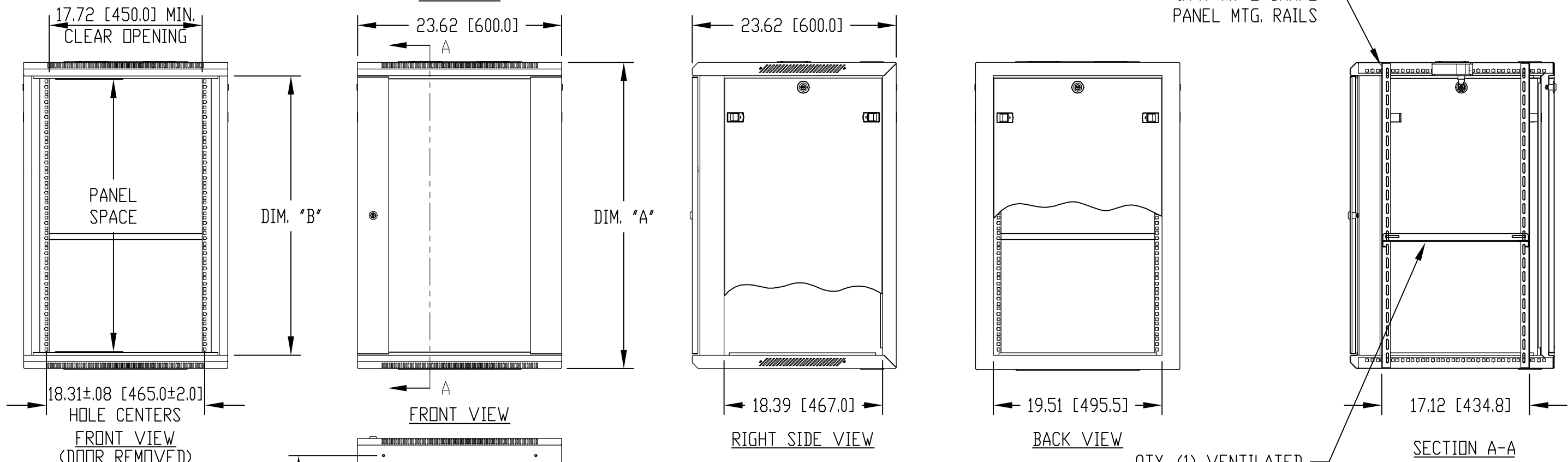
MATERIAL:
 PANEL MOUNTING RAILS - 14 GA. [2.0mm] STEEL
 SHELF - 18 GA. [1.2mm] STEEL
 ALL OTHER PARTS - 18 GA. [1.2mm] STEEL

FINISH:
 FINE TEXTURED BLACK POWDER COATING

PANEL MOUNTING RAILS HAVE 0.350 [8.89] SQUARE HOLES ON E.I.A. UNIVERSAL HOLE SPACING

SUPPLIED HARDWARE KIT TO INCLUDE:
 QTY. (25) M6x1.0 PITCH CAGE NUT
 QTY. (25) M6x1.0 PITCH PAN HEAD SCREW
 QTY. (25) NYLON FLAT WASHER
 QTY. (4) RUBBER FEET
 QTY. (6) KEYS

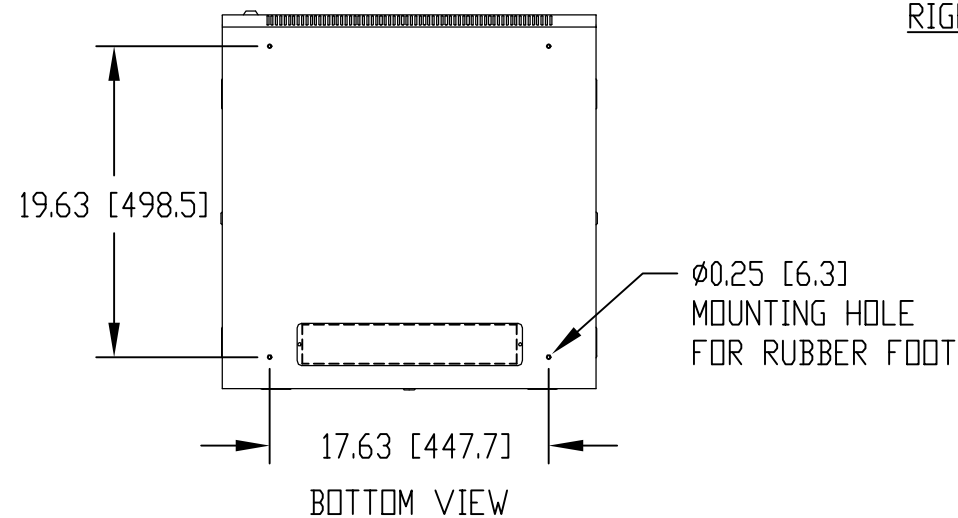
TOP VIEW



QTY. (4) L-SHAPE PANEL MTG. RAILS

QTY. (1) VENTILATED FIXED SHELF INCLUDED (FOR ADDITIONAL SHELVES, ORDER PART No. SH-12705)

TOLERANCE: ±0.08 [±2.0]



PART NO.	UNIT	PANEL SPACE	DIM. "A"	DIM. "B"	QTY. "C"
VC-9930-B	6U	10.50 [266.7]	14.49 [368.0]	11.35 [288.2]	(1)
VC-9931-B	9U	15.75 [400.1]	19.69 [500.0]	16.54 [420.2]	(1)
VC-9932-B	12U	21.00 [533.4]	25.00 [635.0]	21.86 [555.2]	(2)
VC-9933-B	15U	26.25 [666.8]	30.28 [769.0]	27.13 [689.2]	(2)
VC-9934-B	18U	31.50 [800.1]	35.43 [900.0]	32.29 [820.2]	(2)