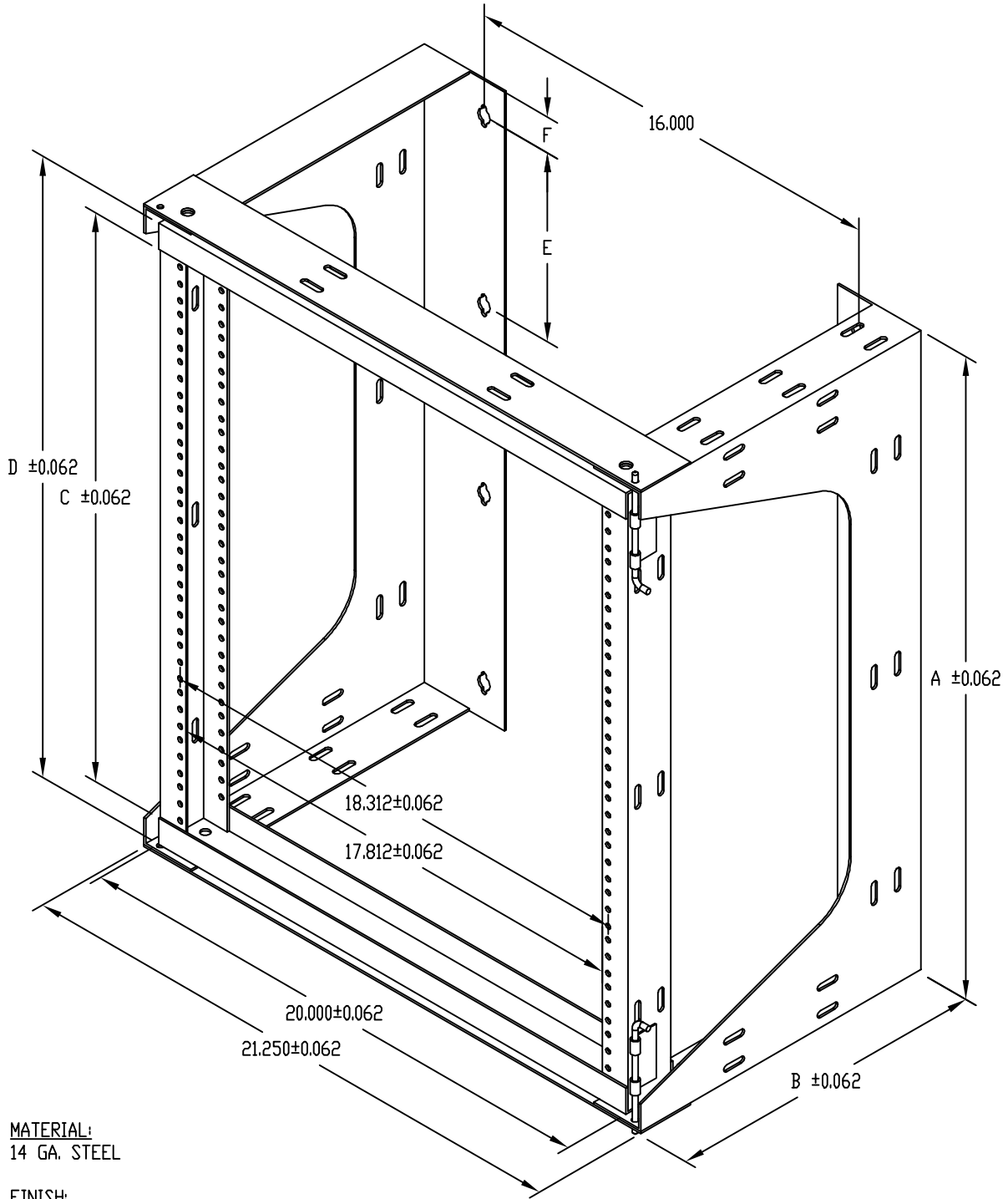


PART NAME

SWING FRAME RACK

PART No.

SF-2283, SF-2284, SF-2293 & SF-2294



**MATERIAL:**  
14 GA. STEEL

**FINISH:**  
SMOOTH BLACK

**NOTE:**  
SWING ARM RAILS ARE TAPPED #12-24  
ON UNIVERSAL E.I.A. SPACING.  
UNIT INCLUDES (6) 8' LONG VELCRO  
STRAPS IN HARDWARE KIT.

**LOAD RATING:** 75 LBS. MAX.

PART NUMBER	A	B	C	D	E	F
SF-2283	23.814	12.000	21.062	23.004	7.000	1.407
SF-2284	23.814	18.000	21.062	23.004	7.000	1.407
SF-2293	37.814	12.000	35.062	37.004	11.000	2.407
SF-2294	37.814	18.000	35.062	37.004	11.000	2.407