



PART NAME

NBG SERIES LARGE PLASTIC ENCLOSURES

PART No.

NBG-20010 & NBG-20010-C

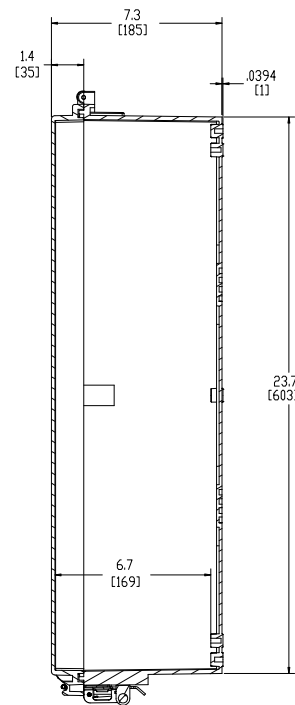
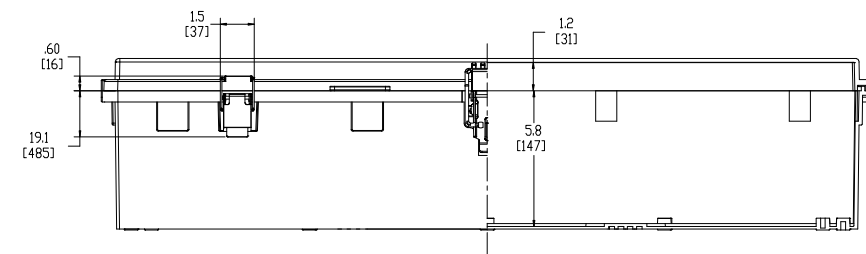
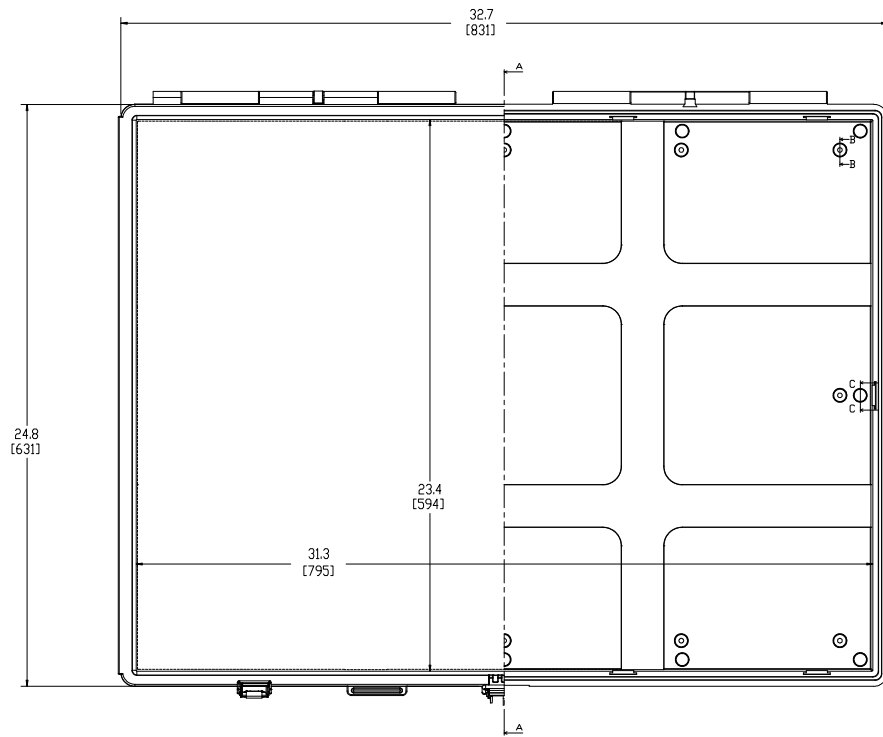
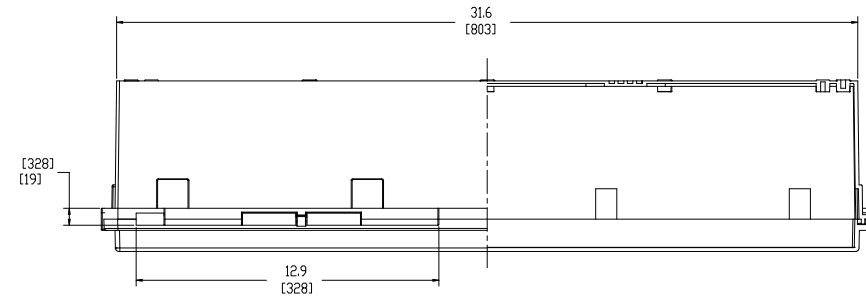
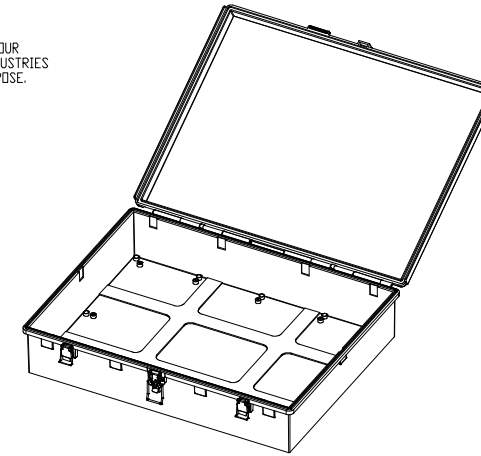
REV. DATE

9/13/2019

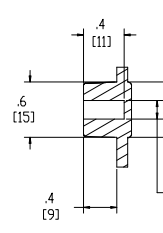
NOTES:

- 1) MATERIAL:  
BODY - PC & PBC LIGHT GRAY  
COVER - PC & PBC LIGHT GRAY OR CLEAR POLYCARBONATE  
LATCHES - STAINLESS STEEL
- 2) UL-94 V0(1.5mm) AND 5VA (3mm) FLAMMABILITY RATING, UV RESISTANT.
- 3) BOXES DESIGNED TO MEET FOLLOWING STANDARDS: NEMA 4X, 12 & 13.
- 4) SERVICE TEMPERATURE -20 TO 70C SUITABLE FOR BOTH INDOOR AND OUTDOOR APPLIATIONS
- 5) RMPF POURED GASKET IN COVER
- 6) COVER IS REMOVABLE
- 7) DIMENSIONS ARE INCH [MM]

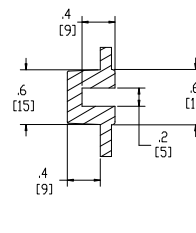
DRAWING FOR REFERENCE  
WE RESERVE THE RIGHT TO MAKE CHANGES TO OUR STANDARD PRODUCTS. PLEASE CONSULT WITH BUD INDUSTRIES PRIOR TO USING THIS DRAWING FOR DESIGN PURPOSE.



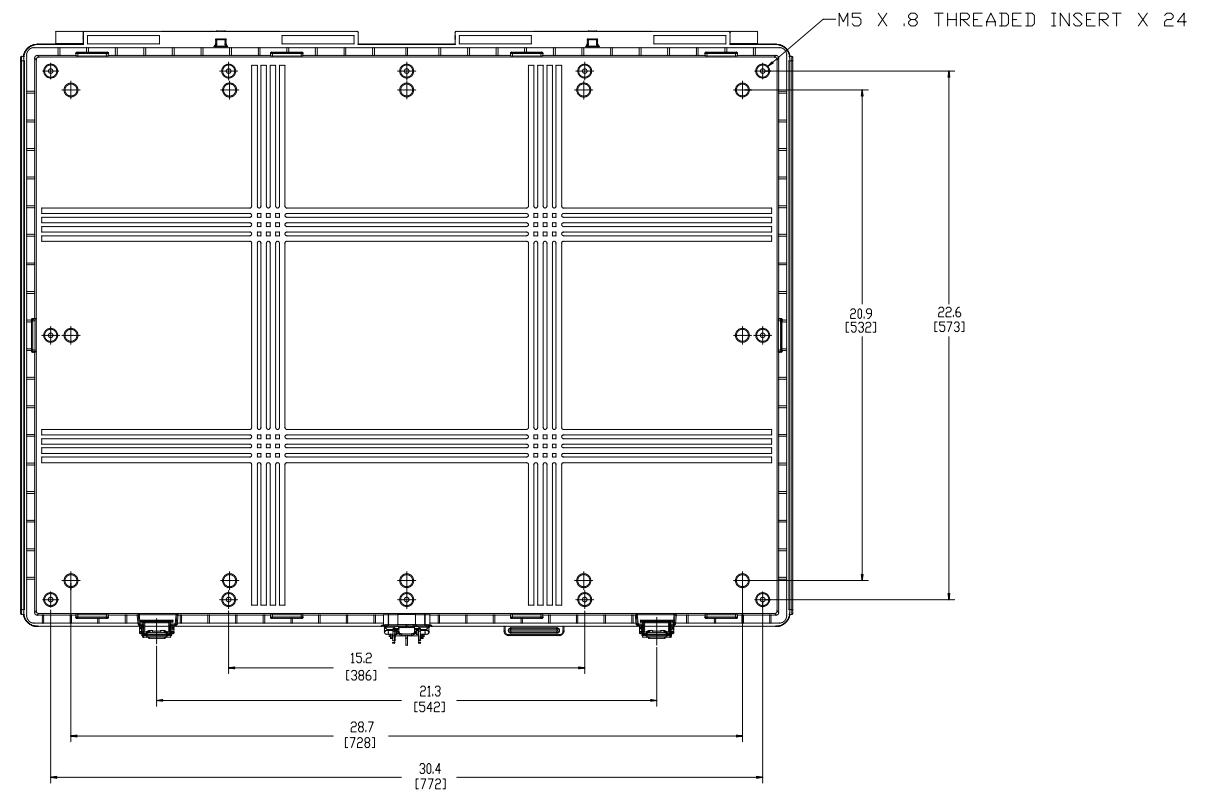
SECTION A-A



SECTION B-B



SECTION C-C



M5 X .8 THREADED INSERT X 24

