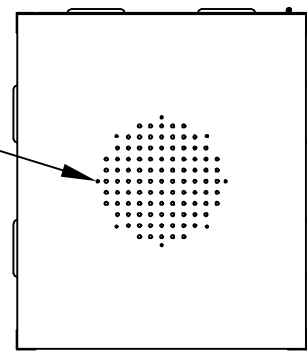


PART NAME	ECONOMIZER CABINET RACK (19" P.S., VENTED)	PART No.	ER-16602 thru ER-16626	REV. DATE	1-27-11
-----------	--	----------	------------------------	-----------	---------

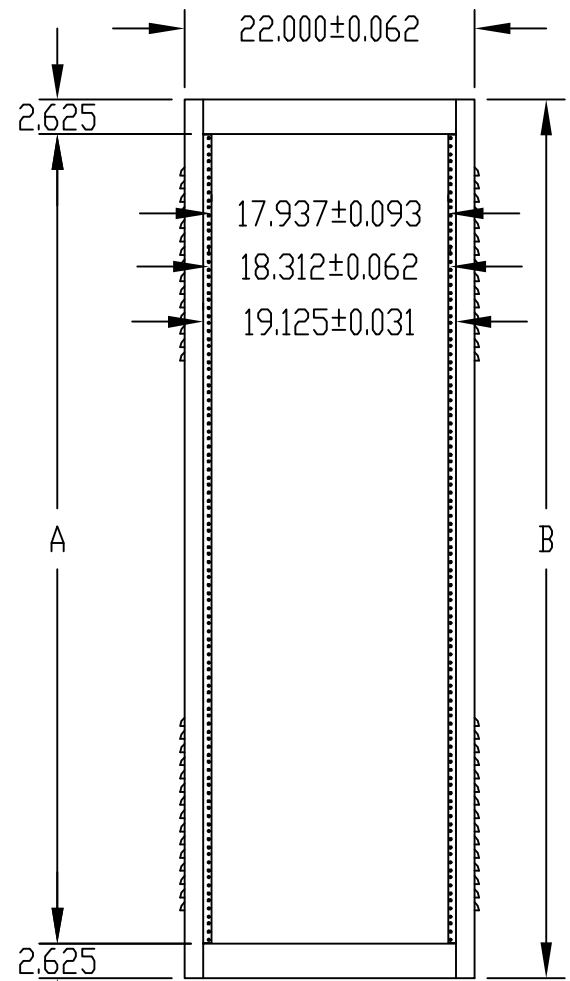
NOTES:

- ① PANEL MOUNTING RAILS TAPPED #10-32 ON E.I.A. UNIVERSAL SPACING AND ARE FULLY ADJUSTABLE.
- ② MOUNTING HOLES PIERCED IN BASE FOR #RC-7758 CASTERS.
- ③ LOAD RATING: 1200 LBS. MAX.
- ☒ (2) SETS OF (10) HOODED LOUVERS CENTERED ON EACH SIDE.
- (2) SETS OF (15) HOODED LOUVERS CENTERED ON EACH SIDE.
- (4) SETS OF (10) HOODED LOUVERS ON EACH SIDE.
- △ (4) SETS OF (15) HOODED LOUVERS ON EACH SIDE.

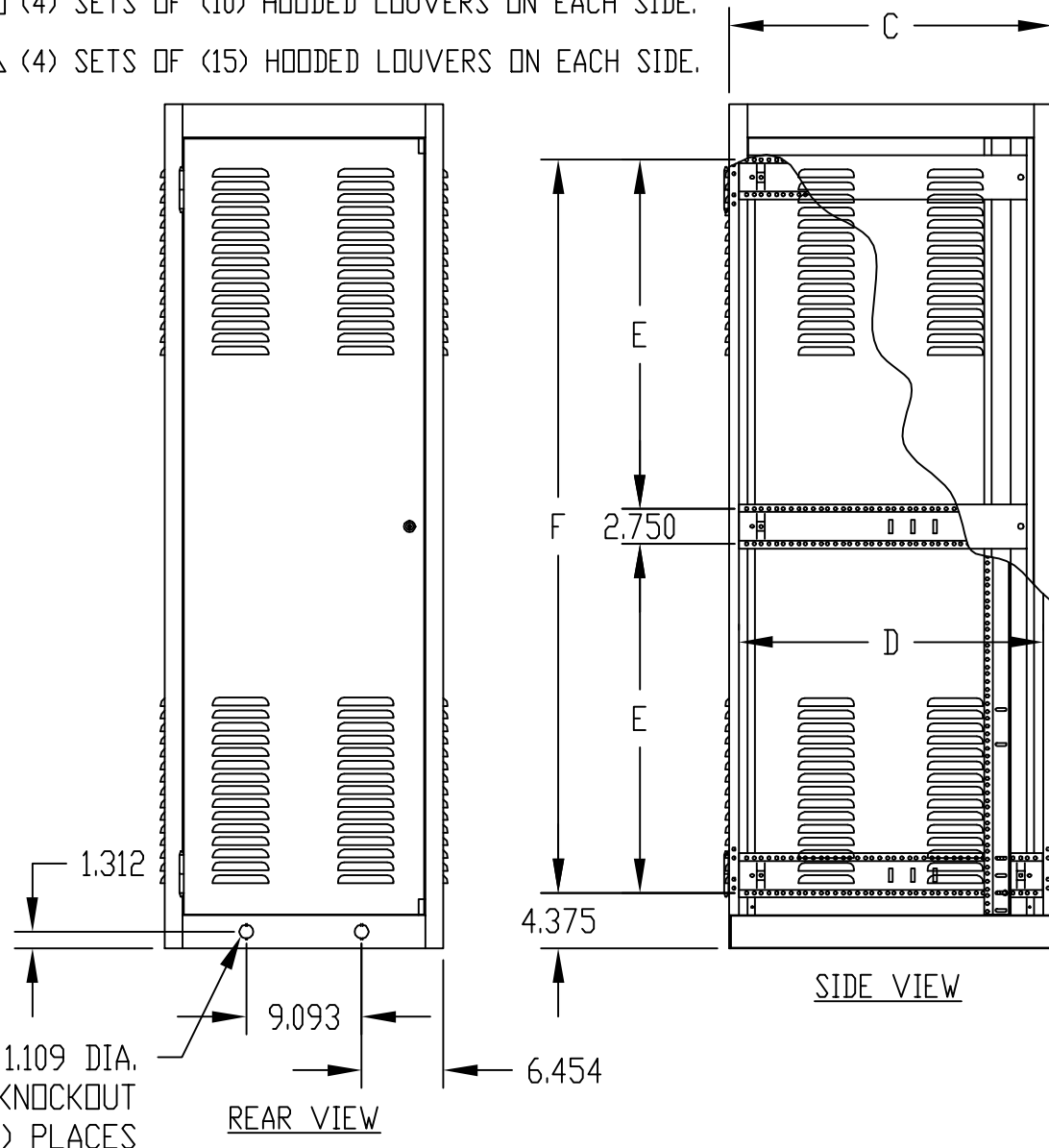
MOUNTING PROVISIONS FOR OPTIONAL FAN.



TOP VIEW

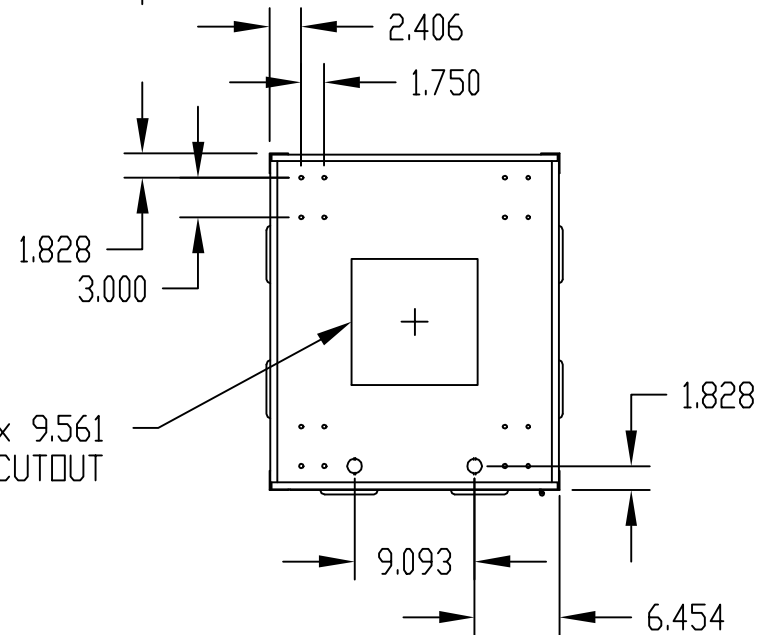


FRONT VIEW



REAR VIEW

SIDE VIEW



BOTTOM VIEW

MATERIAL:

SIDES AND REAR DOOR	20 GA. STEEL
REAR DOOR STIFFENER	18 GA. STEEL
TOP, BOTTOM, RAIL SUPPORTS AND DOOR STOPS	16 GA. STEEL
VERTICAL RAILS	14 GA. STEEL
PANEL MOUNTING RAILS	12 GA. STEEL

FINISH:

FRAME ASSEMBLY, SIDES AND REAR DOOR	SAND TEXTURE
	ROYAL BLUE TEXTURE
	BLACK TEXTURE
PANEL MOUNTING RAILS AND DOOR STOPS	SMOOTH BLACK

OPTIONAL ACCESSORIES

PART NO.	PANEL SPACE A	B	C	D	E	F	PANEL MTG. RAILS PART NO.	ECONOGLAS DOORS PART NO.
ER-16602 ☒	42.000	47.312	18.500	17.000	—	38.562	PMR-9450	V-9763-L
ER-16603 ○	52.500	57.812			—	49.062	PMR-9451	V-9764-L
ER-16604 ○	61.250	66.562			27.531	57.812	PMR-9452	V-9765-L
ER-16605 ○	70.000	75.312			31.906	66.562	PMR-9453	V-9766-L
ER-16606 ○	78.750	84.062	18.500	17.000	36.281	75.312	PMR-9454	V-9767-L
ER-16612 □	42.000	47.312	25.500	24.000	—	38.562	PMR-9450	V-9763-L
ER-16613 △	52.500	57.812			—	49.062	PMR-9451	V-9764-L
ER-16614 △	61.250	66.562			27.531	57.812	PMR-9452	V-9765-L
ER-16615 △	70.000	75.312			31.906	66.562	PMR-9453	V-9766-L
ER-16616 △	78.750	84.062	25.500	24.000	36.281	75.312	PMR-9454	V-9767-L
ER-16622 □	42.000	47.312	30.750	29.250	—	38.562	PMR-9450	V-9763-L
ER-16623 △	52.500	57.812			—	49.062	PMR-9451	V-9764-L
ER-16624 △	61.250	66.562			27.531	57.812	PMR-9452	V-9765-L
ER-16625 △	70.000	75.312			31.906	66.562	PMR-9453	V-9766-L
ER-16626 △	78.750	84.062	30.750	29.250	36.281	75.312	PMR-9454	V-9767-L