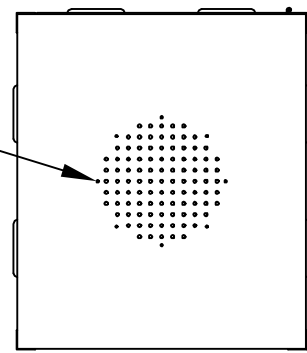


|           |  |          |                        |           |         |
|-----------|--|----------|------------------------|-----------|---------|
| PART NAME | ECONOMIZER CABINET RACK (19" P.S., VENTED) | PART No. | ER-16602 thru ER-16626 | REV. DATE | 1-27-11 |
|-----------|--|----------|------------------------|-----------|---------|

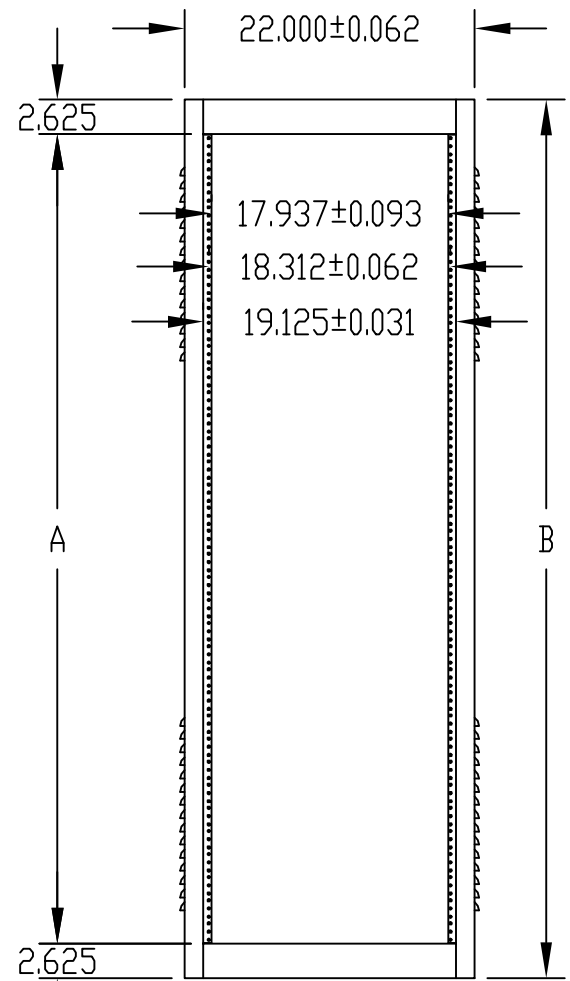
**NOTES:**

- ① PANEL MOUNTING RAILS TAPPED #10-32 ON E.I.A. UNIVERSAL SPACING AND ARE FULLY ADJUSTABLE.
- ② MOUNTING HOLES PIERCED IN BASE FOR #RC-7758 CASTERS.
- ③ LOAD RATING: 1200 LBS. MAX.
- ☒ (2) SETS OF (10) HOODED LOUVERS CENTERED ON EACH SIDE.
- (2) SETS OF (15) HOODED LOUVERS CENTERED ON EACH SIDE.
- (4) SETS OF (10) HOODED LOUVERS ON EACH SIDE.
- △ (4) SETS OF (15) HOODED LOUVERS ON EACH SIDE.

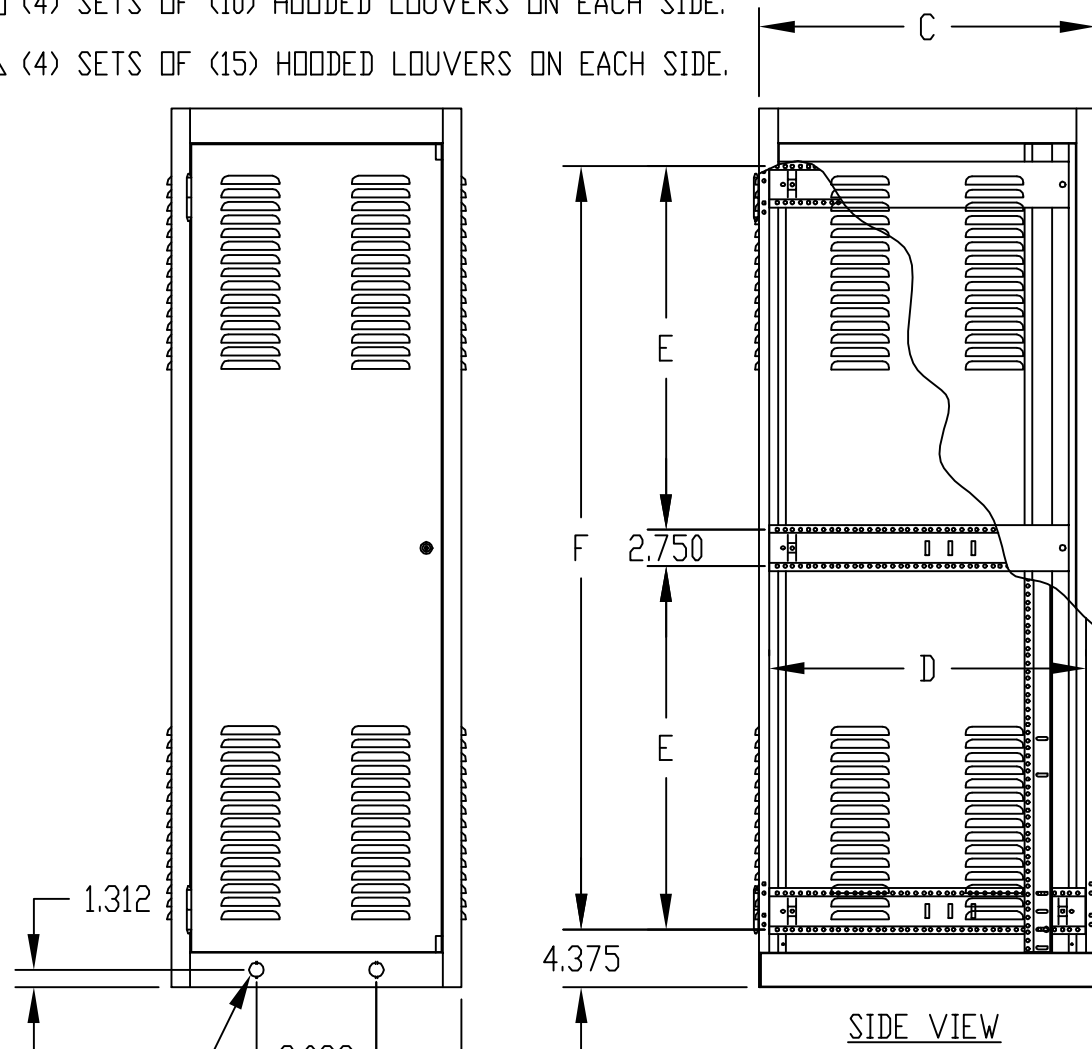
MOUNTING PROVISIONS FOR OPTIONAL FAN.



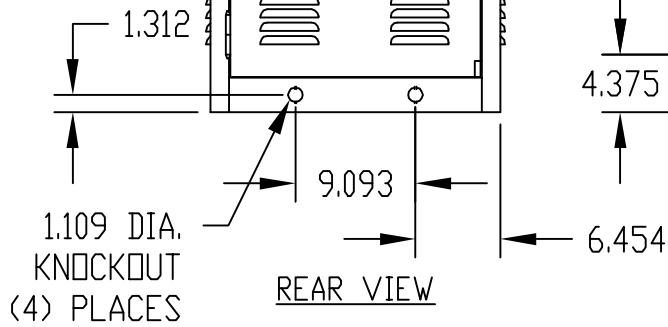
TOP VIEW



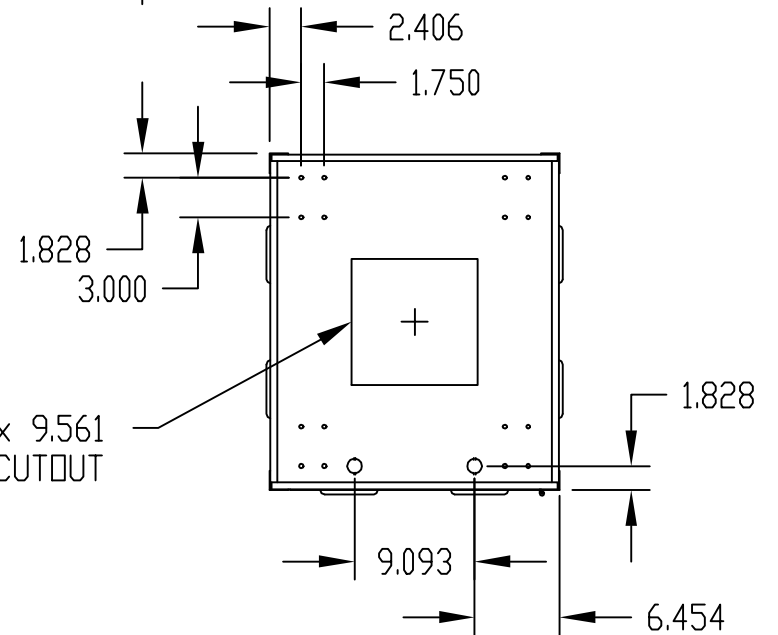
FRONT VIEW



SIDE VIEW



REAR VIEW



BOTTOM VIEW

**MATERIAL:**

- SIDES AND REAR DOOR \_\_\_\_\_ 20 GA. STEEL
- REAR DOOR STIFFENER \_\_\_\_\_ 18 GA. STEEL
- TOP, BOTTOM, RAIL SUPPORTS AND DOOR STOPS \_\_\_\_\_ 16 GA. STEEL
- VERTICAL RAILS \_\_\_\_\_ 14 GA. STEEL
- PANEL MOUNTING RAILS \_\_\_\_\_ 12 GA. STEEL

**FINISH:**

- FRAME ASSEMBLY, SIDES AND REAR DOOR \_\_\_\_\_ SAND TEXTURE
- \_\_\_\_\_ ROYAL BLUE TEXTURE
- \_\_\_\_\_ BLACK TEXTURE
- PANEL MOUNTING RAILS AND DOOR STOPS \_\_\_\_\_ SMOOTH BLACK

**OPTIONAL ACCESSORIES**

| PART NO.   | PANEL SPACE A | B      | C      | D      | E      | F      | PANEL MTG. RAILS PART NO. | ECONOGLAS DOORS PART NO. |
|------------|---------------|--------|--------|--------|--------|--------|---------------------------|--------------------------|
| ER-16602 ☒ | 42.000        | 47.312 | 18.500 | 17.000 | —      | 38.562 | PMR-9450                  | V-9763-L                 |
| ER-16603 ○ | 52.500        | 57.812 |        |        | —      | 49.062 | PMR-9451                  | V-9764-L                 |
| ER-16604 ○ | 61.250        | 66.562 |        |        | 27.531 | 57.812 | PMR-9452                  | V-9765-L                 |
| ER-16605 ○ | 70.000        | 75.312 |        |        | 31.906 | 66.562 | PMR-9453                  | V-9766-L                 |
| ER-16606 ○ | 78.750        | 84.062 | 18.500 | 17.000 | 36.281 | 75.312 | PMR-9454                  | V-9767-L                 |
| ER-16612 □ | 42.000        | 47.312 | 25.500 | 24.000 | —      | 38.562 | PMR-9450                  | V-9763-L                 |
| ER-16613 △ | 52.500        | 57.812 |        |        | —      | 49.062 | PMR-9451                  | V-9764-L                 |
| ER-16614 △ | 61.250        | 66.562 |        |        | 27.531 | 57.812 | PMR-9452                  | V-9765-L                 |
| ER-16615 △ | 70.000        | 75.312 |        |        | 31.906 | 66.562 | PMR-9453                  | V-9766-L                 |
| ER-16616 △ | 78.750        | 84.062 | 25.500 | 24.000 | 36.281 | 75.312 | PMR-9454                  | V-9767-L                 |
| ER-16622 □ | 42.000        | 47.312 | 30.750 | 29.250 | —      | 38.562 | PMR-9450                  | V-9763-L                 |
| ER-16623 △ | 52.500        | 57.812 |        |        | —      | 49.062 | PMR-9451                  | V-9764-L                 |
| ER-16624 △ | 61.250        | 66.562 |        |        | 27.531 | 57.812 | PMR-9452                  | V-9765-L                 |
| ER-16625 △ | 70.000        | 75.312 |        |        | 31.906 | 66.562 | PMR-9453                  | V-9766-L                 |
| ER-16626 △ | 78.750        | 84.062 | 30.750 | 29.250 | 36.281 | 75.312 | PMR-9454                  | V-9767-L                 |