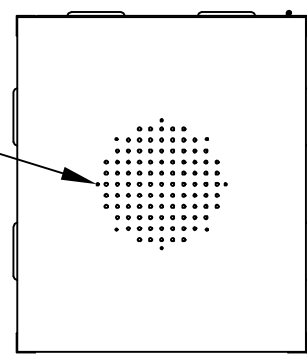


PART NAME	ECONOMIZER CABINET RACK (19" P.S., VENTED)	PART No.	ER-16602 thru ER-16626	REV. DATE	1-27-11
-----------	--	----------	------------------------	-----------	---------

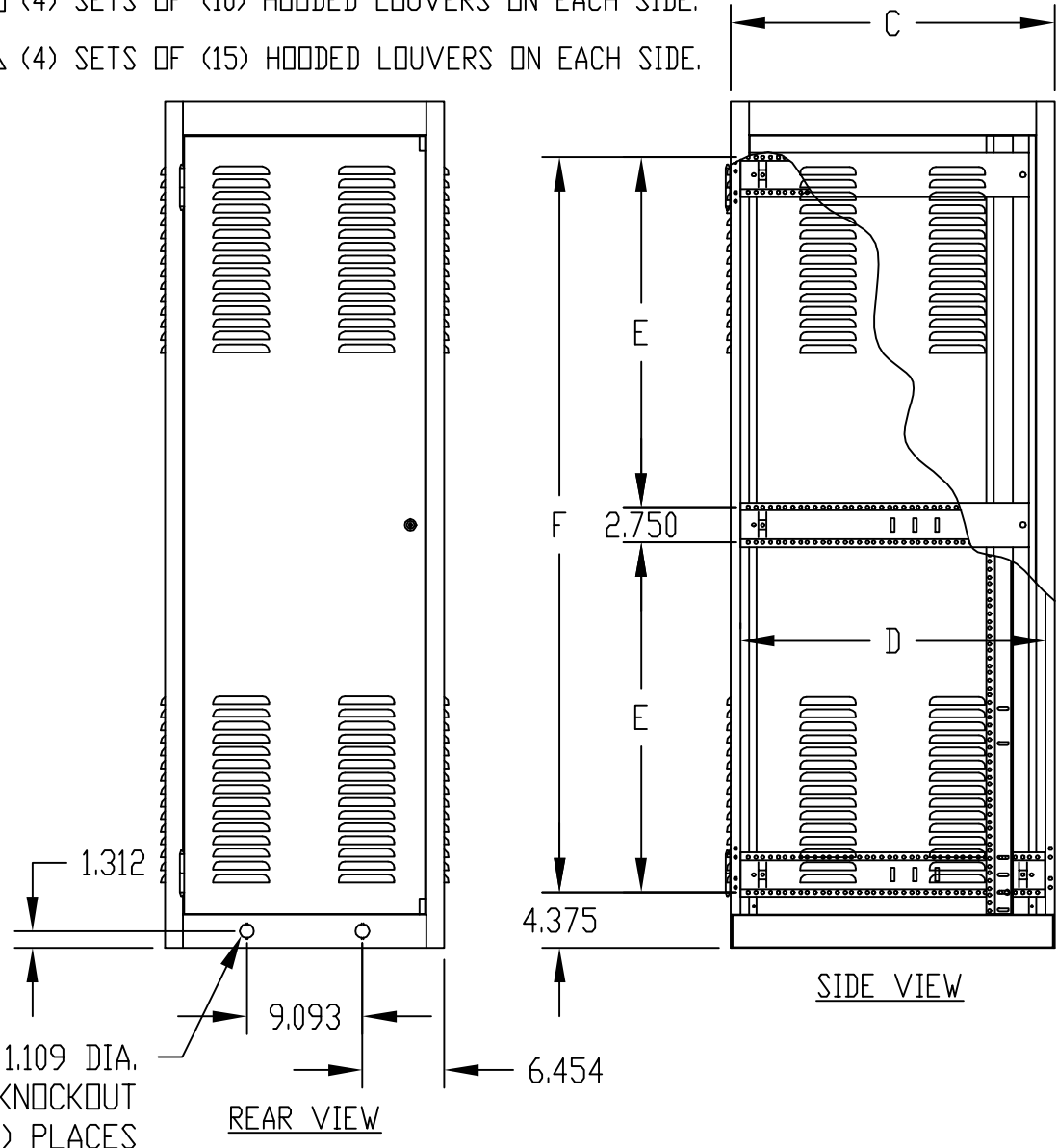
NOTES:

- ① PANEL MOUNTING RAILS TAPPED #10-32 ON E.I.A. UNIVERSAL SPACING AND ARE FULLY ADJUSTABLE.
- ② MOUNTING HOLES PIERCED IN BASE FOR #RC-7758 CASTERS.
- ③ LOAD RATING: 1200 LBS. MAX.
- ☒ (2) SETS OF (10) HOODED LOUVERS CENTERED ON EACH SIDE.
- (2) SETS OF (15) HOODED LOUVERS CENTERED ON EACH SIDE.
- (4) SETS OF (10) HOODED LOUVERS ON EACH SIDE.
- △ (4) SETS OF (15) HOODED LOUVERS ON EACH SIDE.

MOUNTING PROVISIONS FOR OPTIONAL FAN.

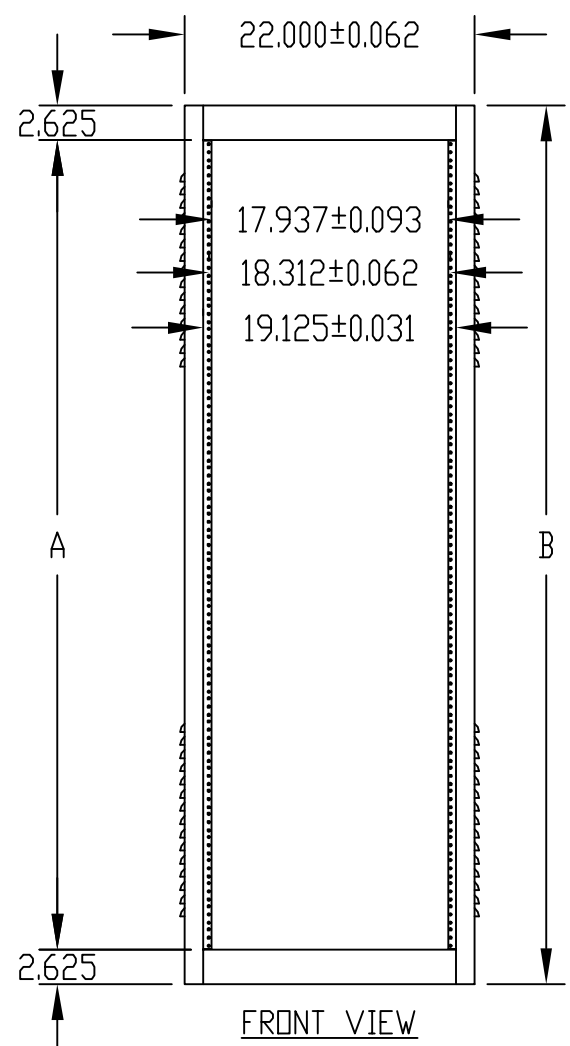


TOP VIEW



SIDE VIEW

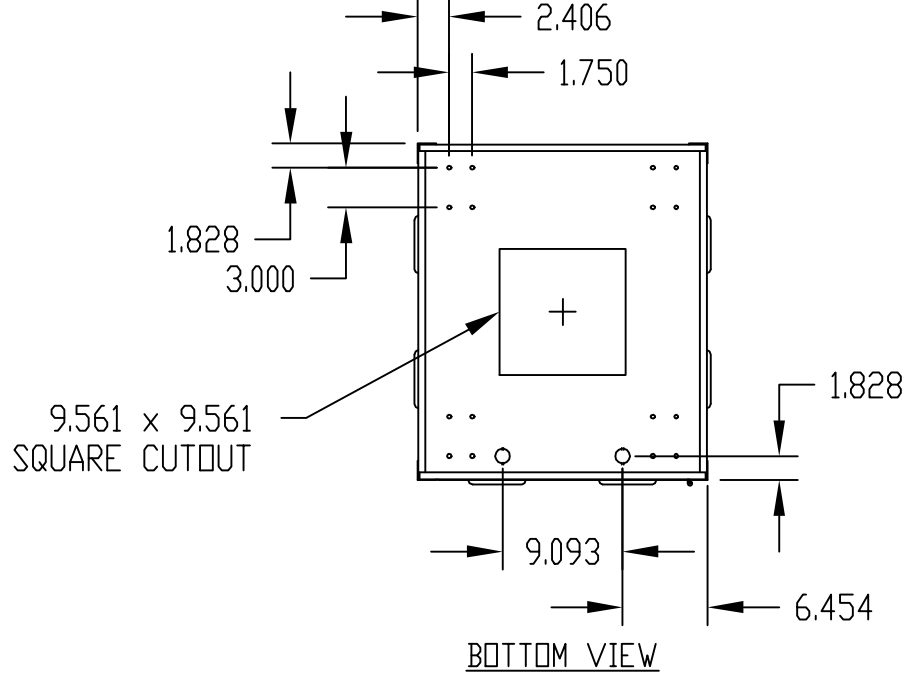
REAR VIEW



FRONT VIEW

MATERIAL:
 SIDES AND REAR DOOR _____ 20 GA. STEEL
 REAR DOOR STIFFENER _____ 18 GA. STEEL
 TOP, BOTTOM, RAIL SUPPORTS AND DOOR STOPS _____ 16 GA. STEEL
 VERTICAL RAILS _____ 14 GA. STEEL
 PANEL MOUNTING RAILS _____ 12 GA. STEEL

FINISH:
 FRAME ASSEMBLY, SIDES AND REAR DOOR _____ SAND TEXTURE
 _____ ROYAL BLUE TEXTURE
 _____ BLACK TEXTURE
 PANEL MOUNTING RAILS AND DOOR STOPS _____ SMOOTH BLACK



BOTTOM VIEW

OPTIONAL ACCESSORIES

PART NO.	PANEL SPACE A	B	C	D	E	F	PANEL MTG. RAILS PART NO.	ECONOGLAS DOORS PART NO.
ER-16602 ☒	42.000	47.312	18.500	17.000	—	38.562	PMR-9450	V-9763-L
ER-16603 ○	52.500	57.812			—	49.062	PMR-9451	V-9764-L
ER-16604 ○	61.250	66.562			27.531	57.812	PMR-9452	V-9765-L
ER-16605 ○	70.000	75.312			31.906	66.562	PMR-9453	V-9766-L
ER-16606 ○	78.750	84.062	18.500	17.000	36.281	75.312	PMR-9454	V-9767-L
ER-16612 □	42.000	47.312	25.500	24.000	—	38.562	PMR-9450	V-9763-L
ER-16613 △	52.500	57.812			—	49.062	PMR-9451	V-9764-L
ER-16614 △	61.250	66.562			27.531	57.812	PMR-9452	V-9765-L
ER-16615 △	70.000	75.312			31.906	66.562	PMR-9453	V-9766-L
ER-16616 △	78.750	84.062	25.500	24.000	36.281	75.312	PMR-9454	V-9767-L
ER-16622 □	42.000	47.312	30.750	29.250	—	38.562	PMR-9450	V-9763-L
ER-16623 △	52.500	57.812			—	49.062	PMR-9451	V-9764-L
ER-16624 △	61.250	66.562			27.531	57.812	PMR-9452	V-9765-L
ER-16625 △	70.000	75.312			31.906	66.562	PMR-9453	V-9766-L
ER-16626 △	78.750	84.062	30.750	29.250	36.281	75.312	PMR-9454	V-9767-L