

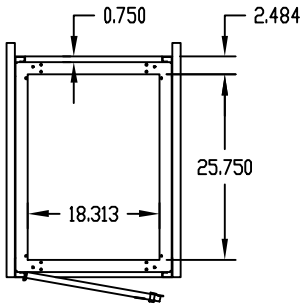
PART NAME SERIES 30-2000 UPRIGHT CABINET RACK

PART No. E30-2000 TO E30-2007

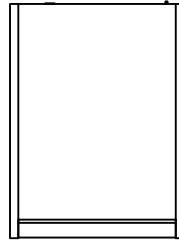
REV. DATE 1-2-02

FINISH:
 FRAME ASSEMBLY, SIDES,
 DOOR & TOP COVER _____ GRAY TEXTURE OR
 ROYAL BLUE TEXTURE
 PANEL MOUNTING RAILS _____ SMOOTH BLACK
 FRONT TOP TRIM _____ METALLIC GRAY

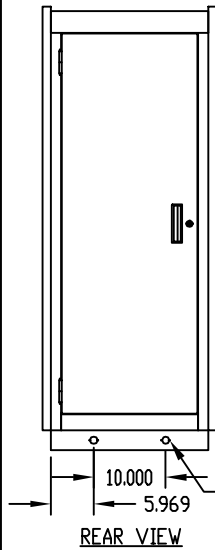
MATERIAL:
 PANEL MOUNTING RAILS _____ 12 GA. STEEL
 FRAME TOP, BASE ASSEMBLY,
 FILLERS & VERTICAL RAILS _____ 14 GA. STEEL
 RAIL SUPPORTS _____ 16 GA. STEEL
 TOP COVER & SIDES _____ 18 GA. STEEL
 DOOR & FRONT TOP TRIM _____ 20 GA. STEEL



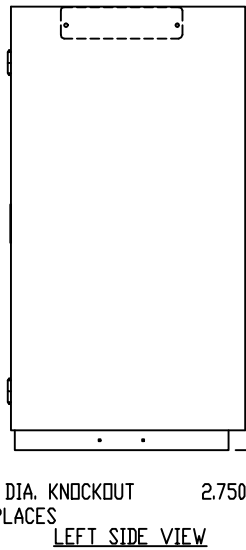
TOP VIEW
 (LESS TOP COVER
 & FRONT TOP TRIM)



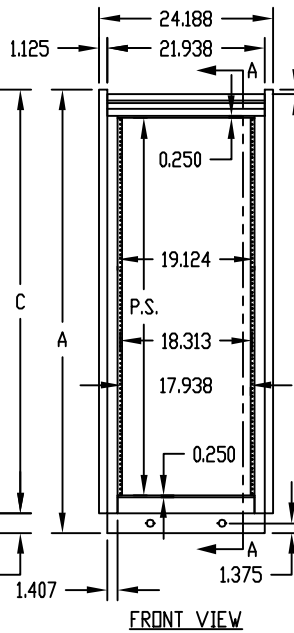
TOP VIEW



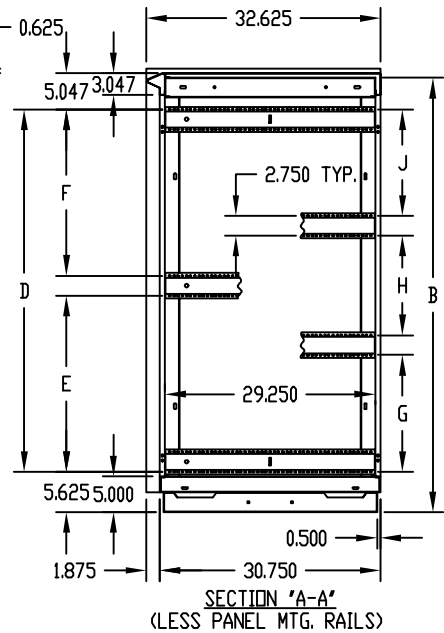
REAR VIEW



LEFT SIDE VIEW



FRONT VIEW

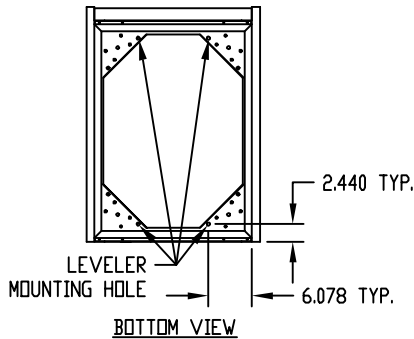


SECTION "A-A"
 (LESS PANEL MTG. RAILS)

PANEL MOUNTING RAILS (FRONT & REAR)
 ARE TAPPED #10-32 ON E.I.A. UNIVERSAL
 SPACING AND ARE FULLY ADJUSTABLE.

BOTTOM PIERCED FOR MOUNTING RC-7758 CASTERS.

LOAD RATING: 1200 LBS. MAX.



BOTTOM VIEW

* DISCONTINUED

| PART No. | P.S. | A | B | C | D | E | F | G | H | J |
|------------|--------|--------|--------|--------|--------|--------|--------|--------|--------|--------|
| E30-2000 | 21.000 | 30.250 | 29.000 | 27.500 | 18.937 | — | — | — | — | — |
| * E30-2001 | 31.500 | 40.750 | 39.500 | 38.000 | 29.437 | — | — | — | — | — |
| * E30-2002 | 35.000 | 44.250 | 43.000 | 41.500 | 32.937 | — | — | — | — | — |
| E30-2003 | 42.000 | 51.250 | 50.000 | 48.500 | — | 19.281 | 17.906 | — | — | — |
| E30-2004 | 52.500 | 61.750 | 60.500 | 59.000 | — | 24.531 | 23.156 | — | — | — |
| E30-2005 | 61.250 | 70.500 | 69.250 | 67.750 | — | 28.906 | 27.531 | — | — | — |
| E30-2006 | 70.000 | 79.250 | 78.000 | 76.500 | — | 33.281 | 31.906 | — | — | — |
| E30-2007 | 78.750 | 88.000 | 86.750 | 85.250 | — | — | — | 25.125 | 22.312 | 23.750 |