



PART NAME

DPS SERIES ENCLOSURE

PART No.

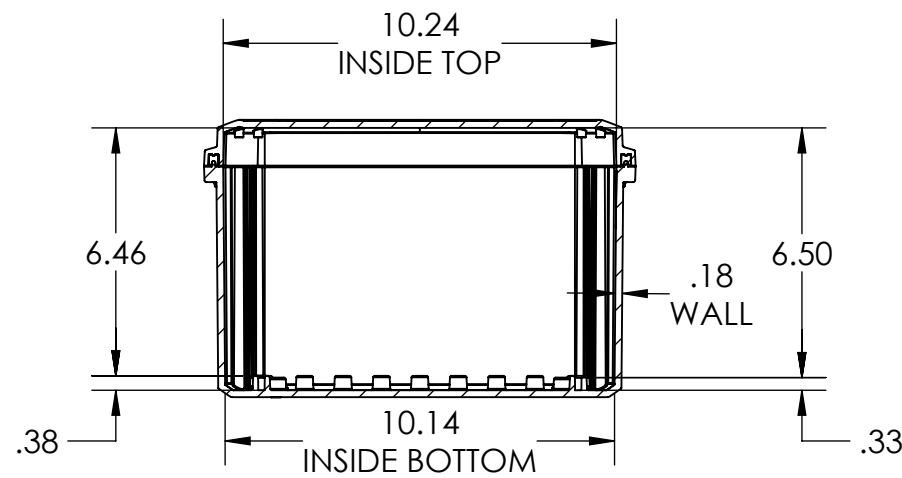
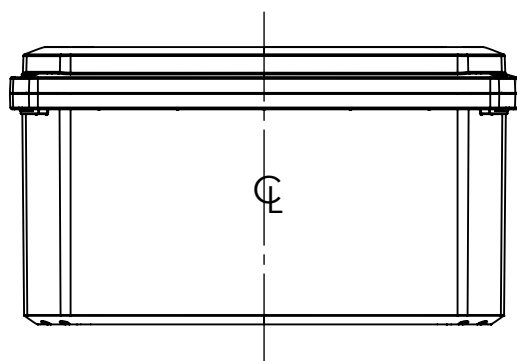
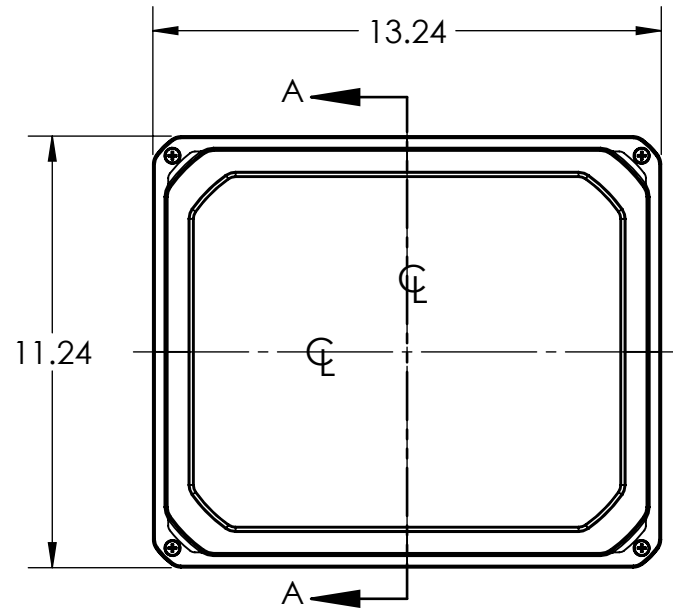
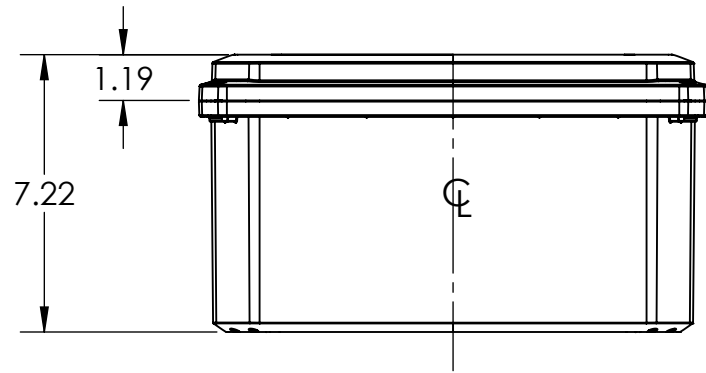
DPS-28714 & DPS-28714-C

REVISION DATE

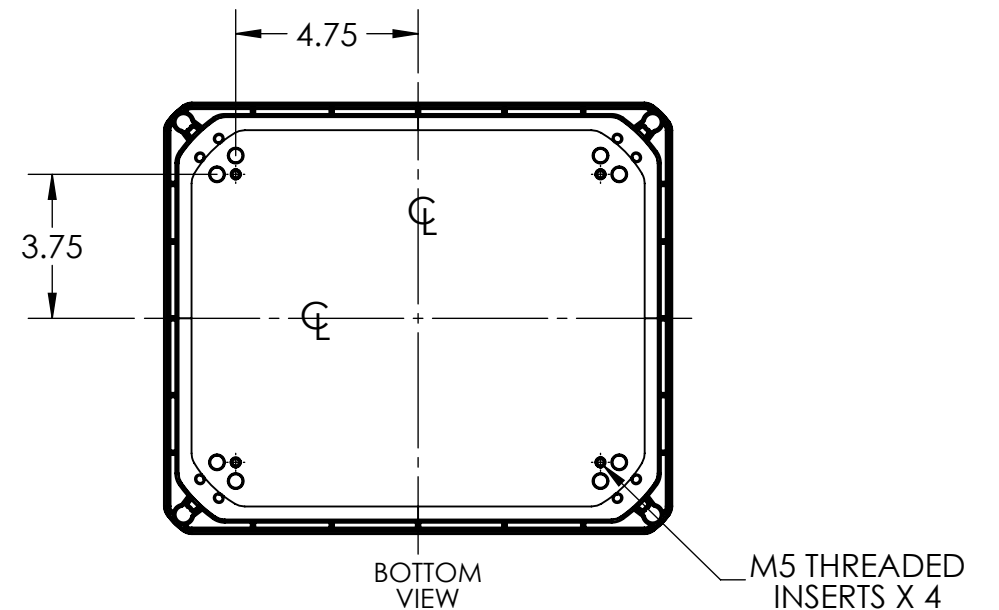
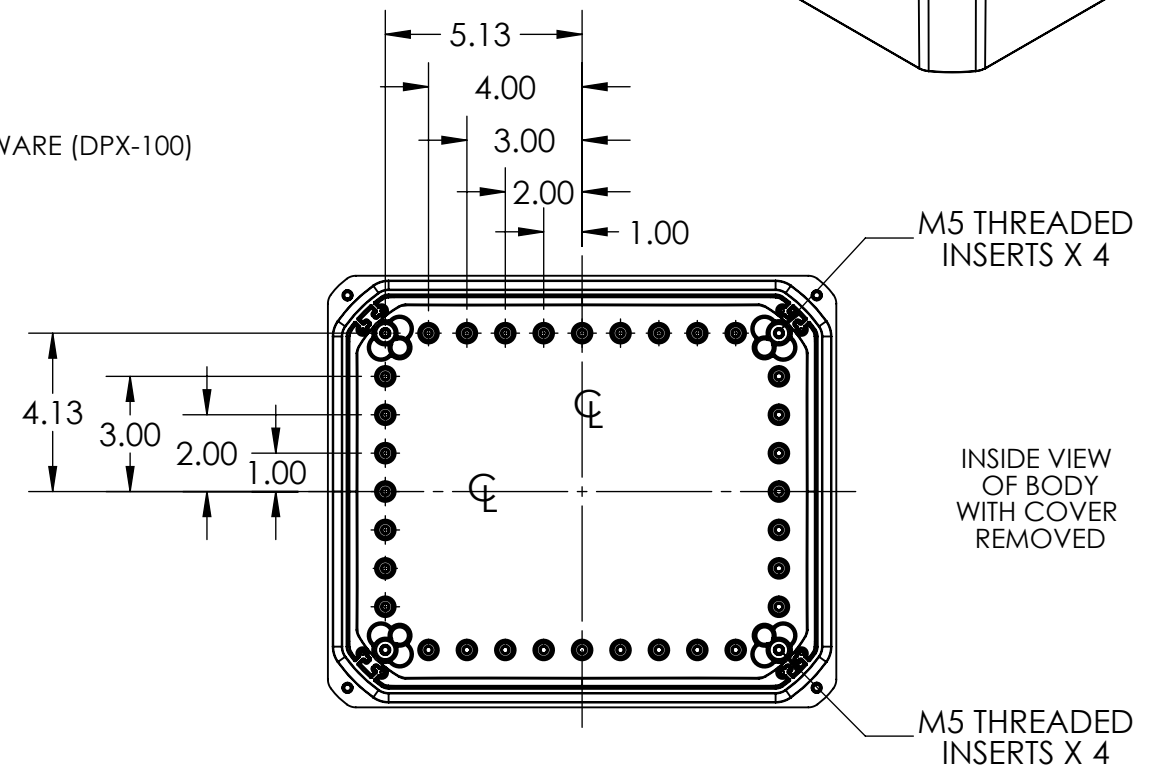
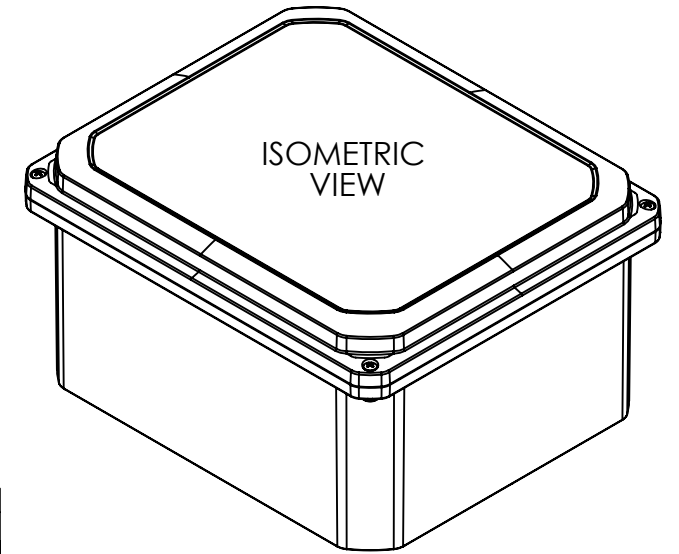
2/20/21

NOTES:

- MATERIAL AND FLAMMABILITY RATING.
 BODY - PC LIGHT GRAY POLYCARBONATE - UL94-5VA
 COVER - PC LIGHT GRAY POLYCARBONATE - UL94-5VA
 CLEAR COVER (C) - PC CLEAR POLYCARBONATE - UL94-V0 AND TESED TO PASS 5VA PER UL746C
- FOLLOW ENCLOSED INSTRUCTION FOR UL COMPLIANCE.: BOXES UL LISTED NEMA TYPE 1, 2, 3, 3R, 4, 4X, 5, 6, 6P 12, 13. DESIGNED MEETS IP65, IP66, IP67, IP68 REQUIREMENTS. UV RESISTANT FOR OUT DOOR USE.
- OPERATING TEMPERATURE IS -35 TO 110C.
- PRE INSTALLED SILICONE GASKET IN COVER
- SCREW CLOSE LID
- BOX COMES WITH 4 UNINSTALLED MOUNTING BRACKETS AND HARDWARE (DPX-100)
- OPTIONAL ACCESSORIES:
 - HINGE AND PANEL SUPPENSION KIT (DPX-444KIT)
 - 10" FLANGE KIT (2 FLANGES + 4 SCREWS) (DPX-1024KIT)
 - FLOATING INTERNAL MOUNTING PANEL (DPX-287144)
 - HINGED INTERNAL MOUNTING PANEL (DPX-287142)
 - COVER MOUNTING PANEL (DPX-287143)
 - BASE INTERNAL MOUNTING PANEL (DPX-287141)
- DIMENSIONS ARE INCH



SECTION A-A
SCALE 1 : 5



DRAWING FOR REFERENCE
 WE RESERVE THE RIGHT TO MAKE CHANGES TO OUR STANDARD PRODUCTS. PLEASE CONSULT WITH BUD INDUSTRIES PRIOR TO USING THIS DRAWING FOR DESIGN PURPOSE.