



PART NAME

NEMA DIE CAST ALUMINUM ENCLOSURE

PART No.

AN-1319-A & AN-1319-AB

REVISION DATE

9-30-15

UL LISTED FOR U.S. AND CANADA - FILE #E194432

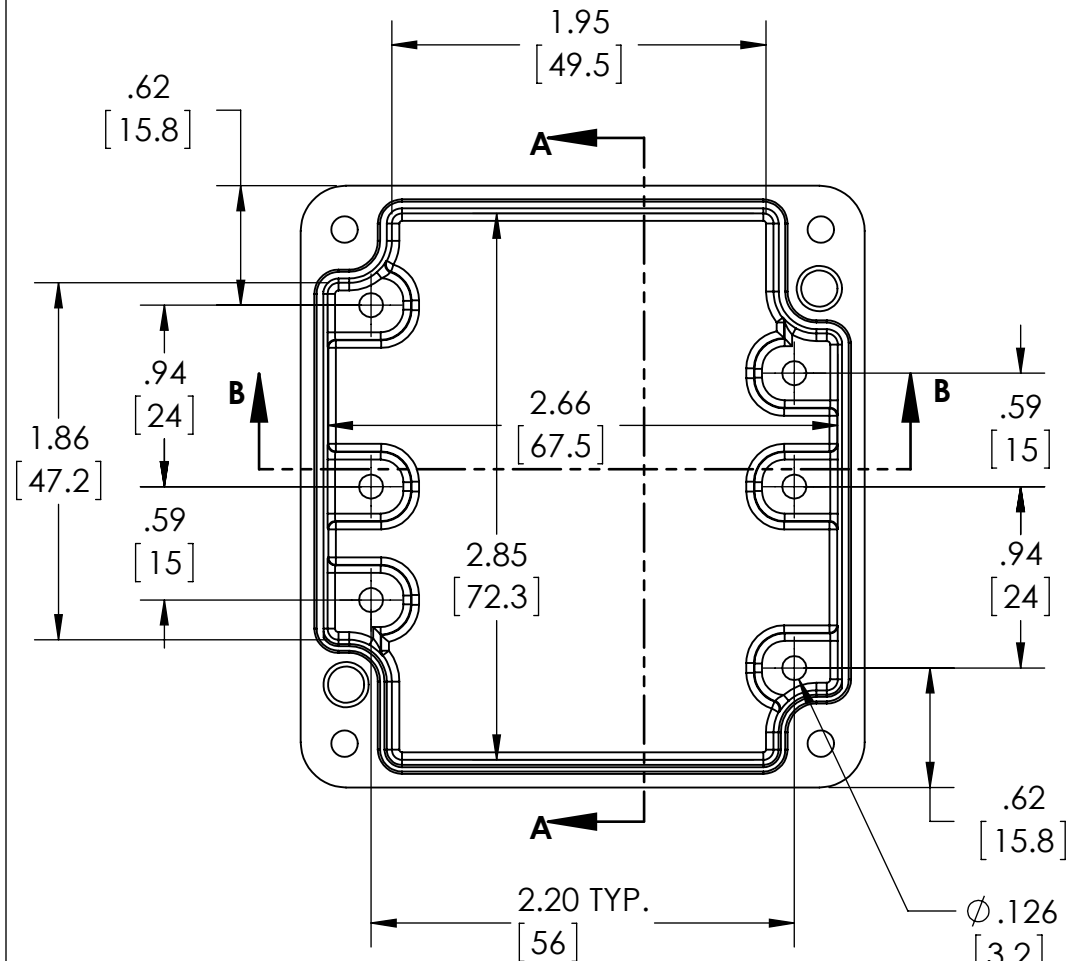
UPDATE REPLACES PART NO. AN-1319 (NATURAL) & AN-1319-G (DISCONTINUED GRAY)

DRAWING FOR REFERENCE

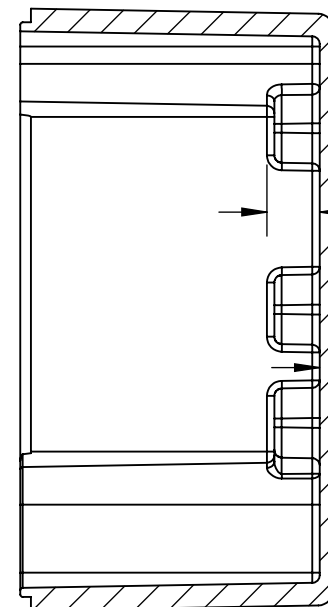
WE RESERVE THE RIGHT TO MAKE CHANGES TO OUR STANDARD PRODUCTS. PLEASE CONSULT WITH BUD INDUSTRIES PRIOR TO USING THIS DRAWING FOR DESIGN PURPOSE.

TYPE RATING 4, 4X, 6, 6P, 12 AND 13, COMPARE TO IP-68

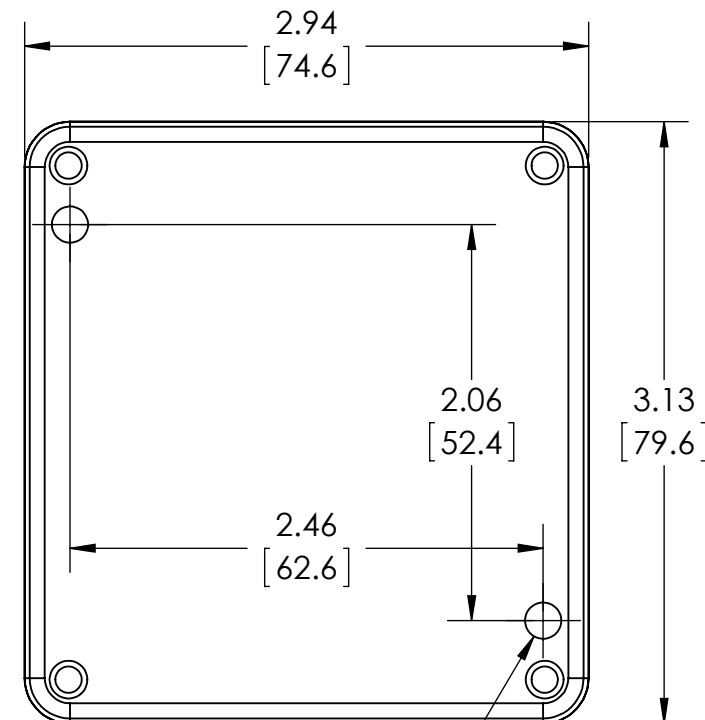
80°C. MAXIMUM OPERATING TEMPERATURE



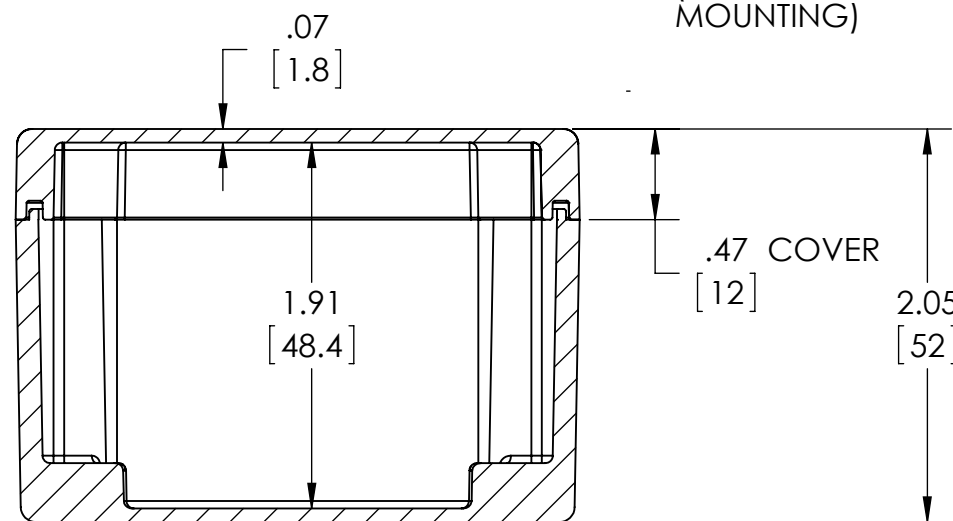
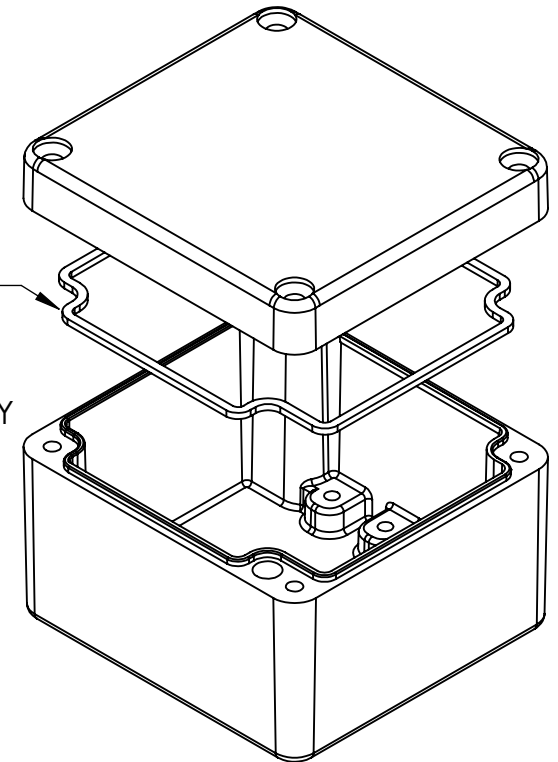
BODY COVER NOT SHOWN



SECTION A-A



GASKET
(NOT
INSTALLED)
MOLDED
SILICONE GRAY



SECTION B-B

$\phi .126 \times .240$ DEEP (6X)
[3.2] [6.0]
ACCEPTS M3.5 x 6mm LG.
OR #6 x 1/4" LG.
SELF-TAPPING SCREW
(NOT SUPPLIED - FOR PCB
MOUNTING)

MATERIAL: BODY & COVER - ALUMINUM ALLOY #ADC-12

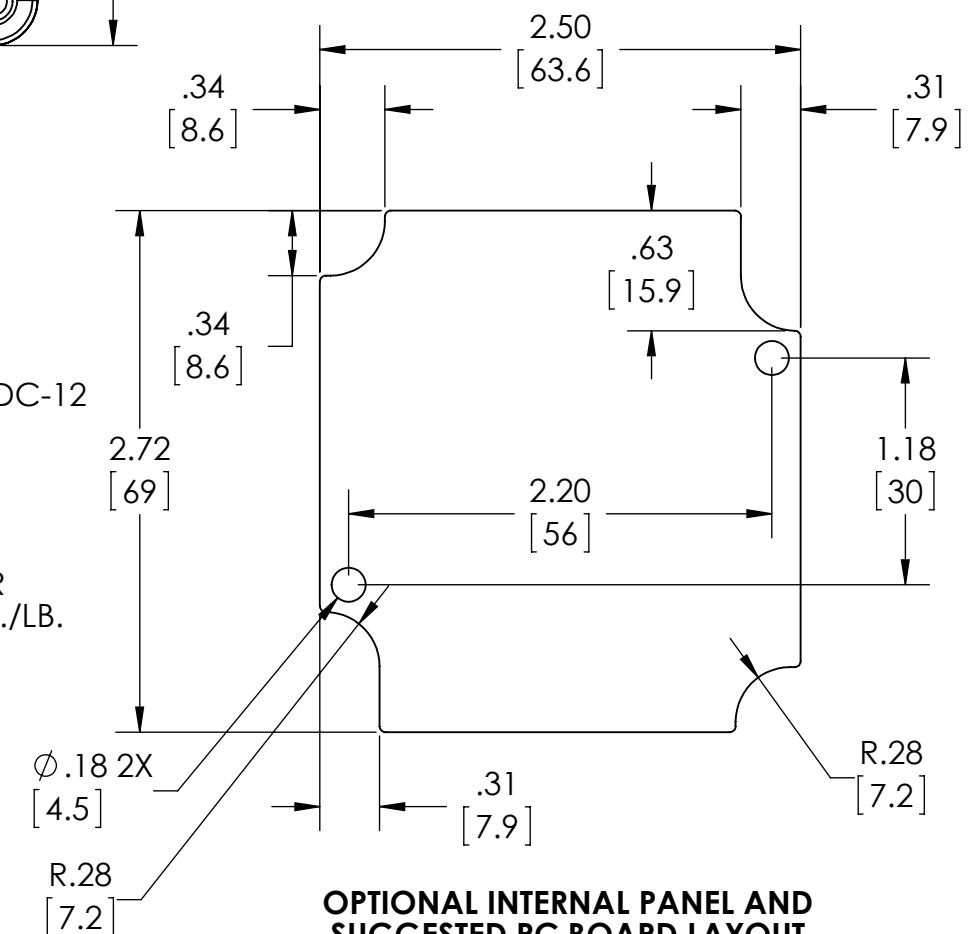
FINISH: NATURAL (SUFFIX -A)
SMOOTH BLACK POWDERCOAT (SUFFIX -AB)

FOUR (4) M4x0.7 x 20mm (.79") LG. 90°CSK. HEAD
STAINLESS STEEL CAPTIVE SCREWS SUPPLIED FOR
ASSEMBLY OF COVER TO BODY. APPLY AT 12 IN./LB.
OF TORQUE.

OUTSIDE AND INSIDE DRAFT ANGLE: 1°
DIMENSIONS ARE INCH[MM]

OPTIONAL ACCESSORIES:
PCB MOUNTING KIT #57-58
INTERNAL PANEL #ANX-91319
WALL MOUNTING BRACKETS #ANX-1390
REPLACEMENT GASKET #1319GSKTSC

$\phi .189$ 2X
[4.8]



OPTIONAL INTERNAL PANEL AND SUGGESTED PC BOARD LAYOUT