



PART NAME

NEMA DIE CAST ALUM. ENCLOSURE

PART No.

AN-1315-A & AN-1315-AB

REVISION DATE

9-30-15

UL LISTED FOR U.S. AND CANADA - FILE #E194432

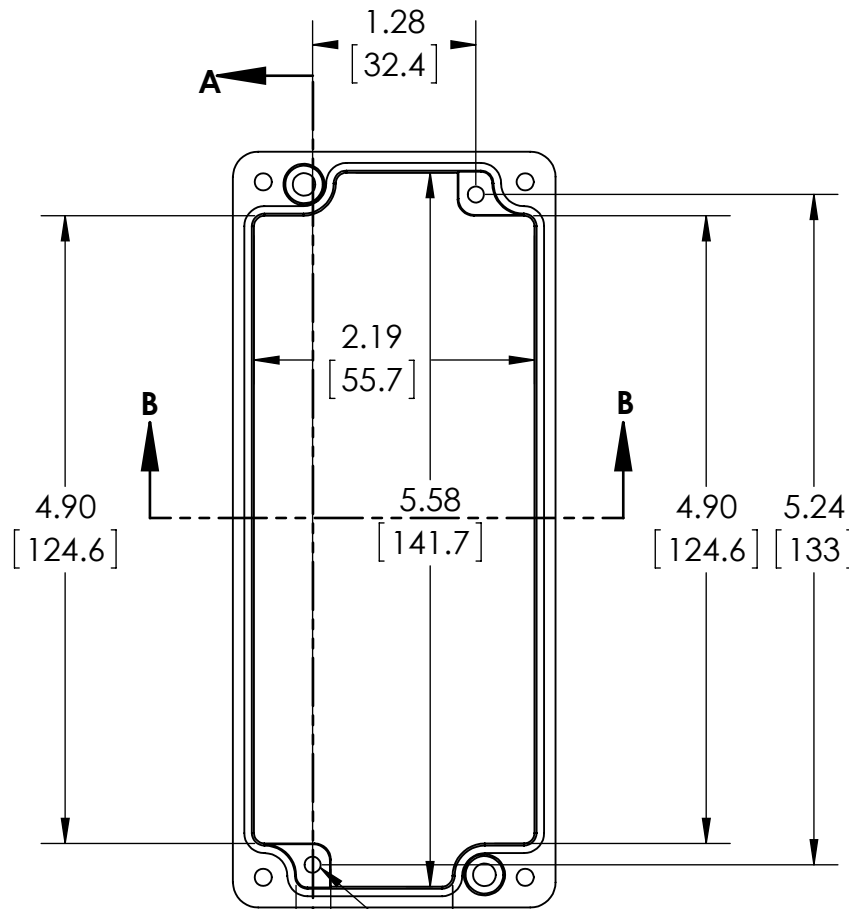
UPDATE REPLACES PART NO. AN-1315 (NATURAL) & AN-1315-G (DISCONTINUED GRAY)

**DRAWING FOR REFERENCE**

WE RESERVE THE RIGHT TO MAKE CHANGES TO OUR STANDARD PRODUCTS. PLEASE CONSULT WITH BUD INDUSTRIES PRIOR TO USING THIS DRAWING FOR DESIGN PURPOSE.

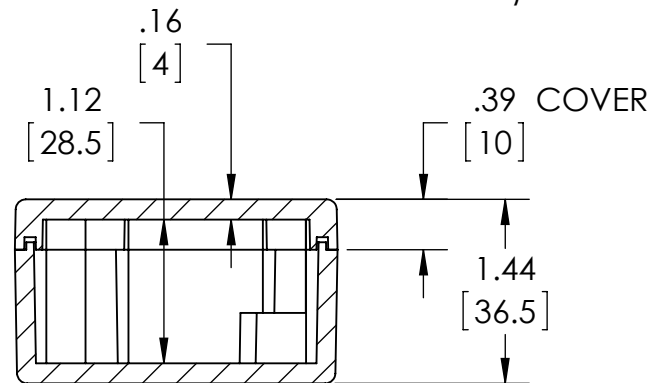
TYPE RATING 4, 4X, 6, 6P, 12 AND 13, COMPARE TO IP-68

80°C. MAXIMUM OPERATING TEMPERATURE



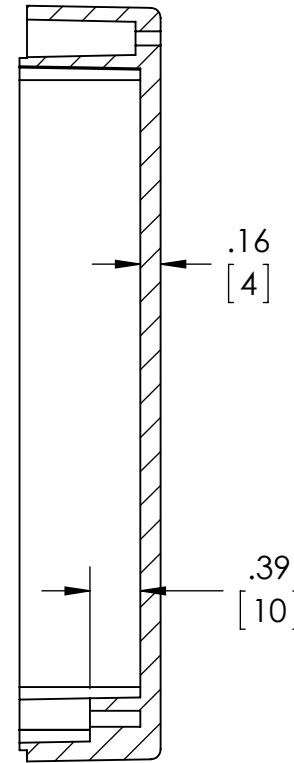
SECTION A-A

Ø.126 x .390 DEEP (2X)  
[3.2] [9.9]  
ACCEPTS M3.5 x 6mm LG.  
OR #6 x 1/4" LG.  
SELF-TAPPING SCREW  
(NOT SUPPLIED - FOR PCB  
MOUNTING)

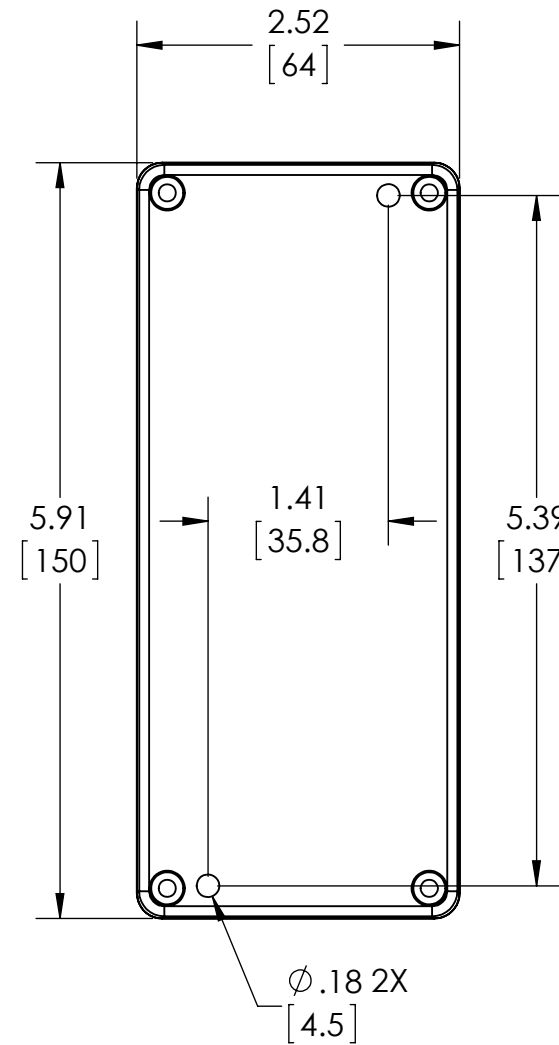


SECTION B-B

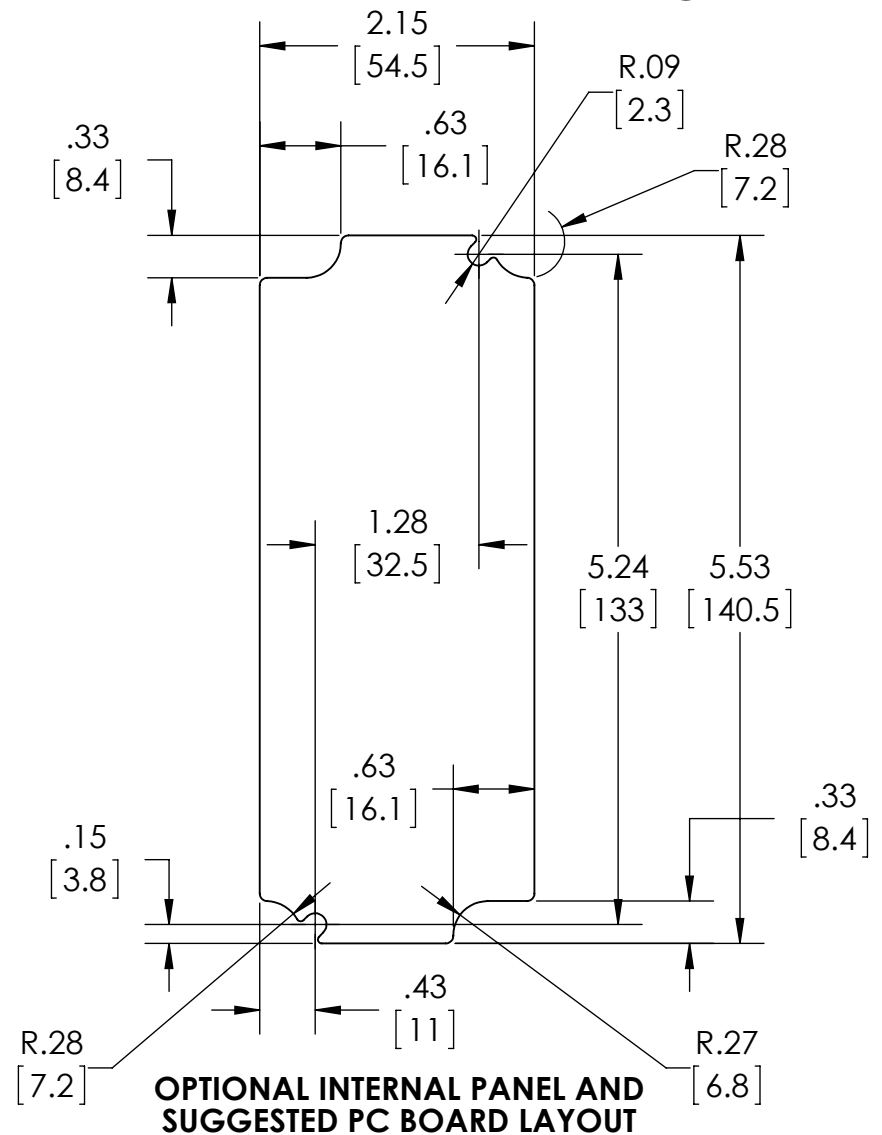
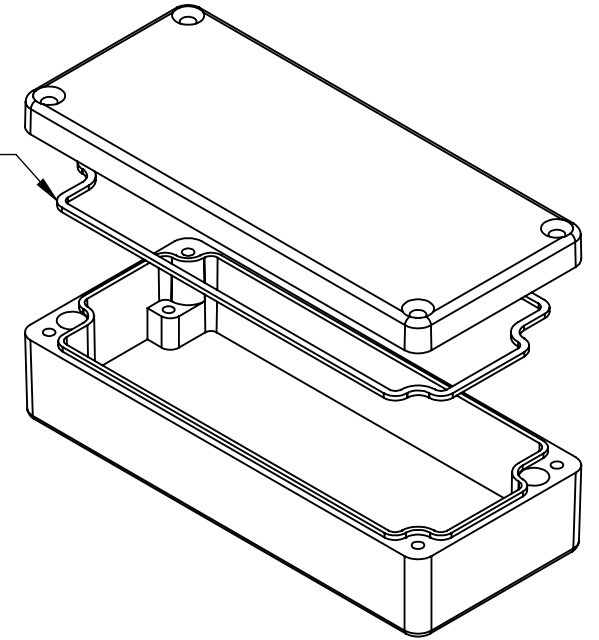
**BODY**  
COVER NOT SHOWN



SECTION A-A



GASKET  
(NOT INSTALLED)  
MOLDED  
SILICONE GRAY



MATERIAL: BODY & COVER - ALUMINUM ALLOY #ADC-12

FINISH: NATURAL (SUFFIX -A)  
SMOOTH BLACK POWDERCOAT (SUFFIX -AB)

FOUR (4) M4x0.7 x 20mm (.79") LG. 90°CSK. HEAD  
STAINLESS STEEL SCREWS SUPPLIED FOR ASSEMBLY  
OF COVER TO BODY. APPLY AT 12 IN./LB. OF  
TORQUE.

OUTSIDE AND INSIDE DRAFT ANGLE: 1°  
DIMENSIONS ARE INCH[MM]

OPTIONAL ACCESSORIES:  
PCB MOUNTING KIT #57-58  
INTERNAL PANEL #ANX-91315  
WALL MOUNTING BRACKETS #ANX-1390  
REPLACEMENT GASKET #1315GSKTSC