



PART NAME

NEMA DIE CAST ALUMINUM ENCLOSURE

PART No.

AN-1304-A & AN-1304-AB

REVISION DATE

9-30-15

UL LISTED FOR U.S. AND CANADA - FILE #E194432

UPDATE REPLACES PART NO. AN-1304 (NATURAL) & AN-1304-G (DISCONTINUED GRAY)

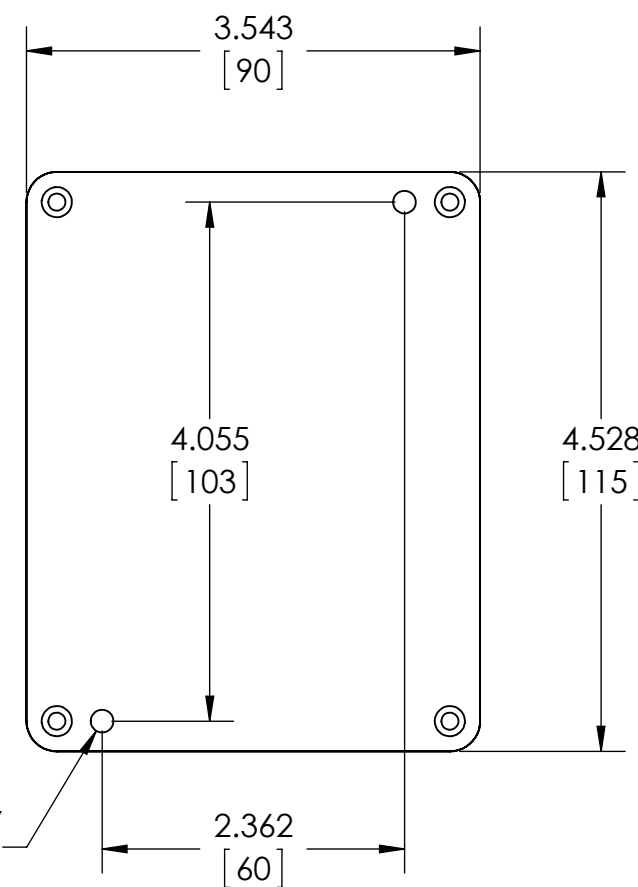
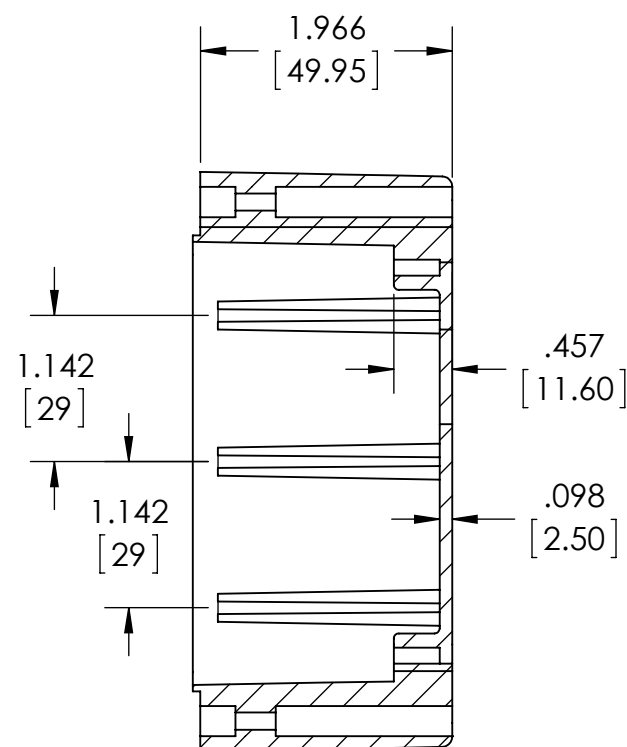
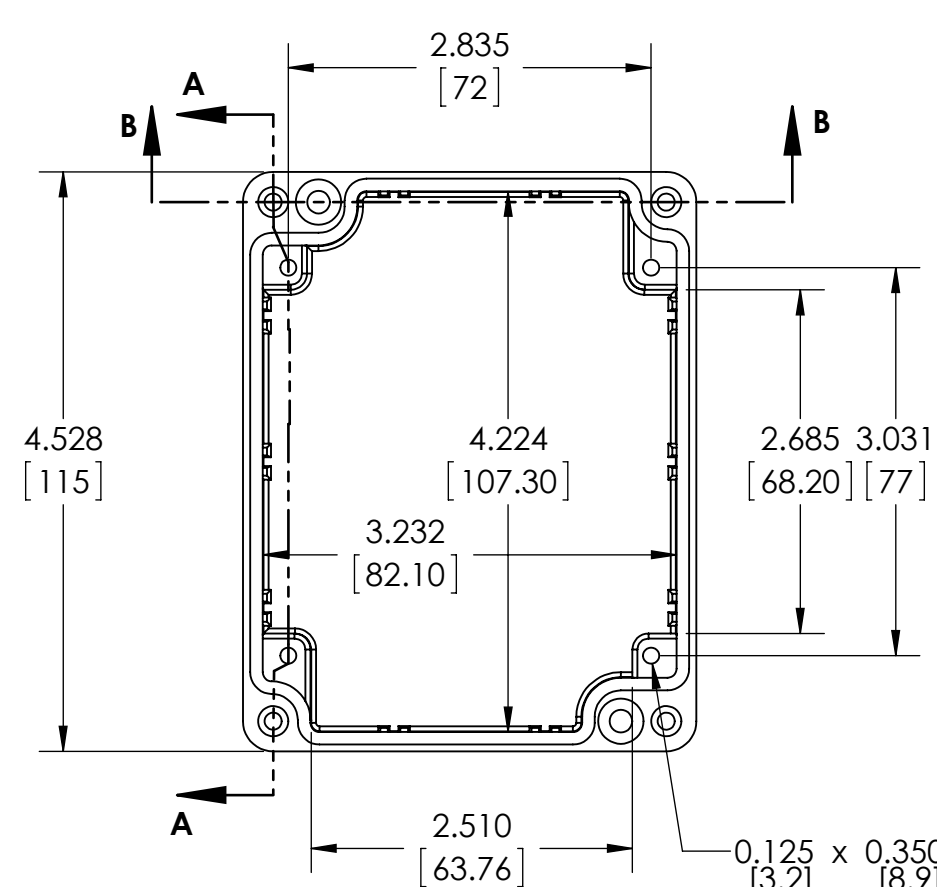
DRAWING FOR REFERENCE

WE RESERVE THE RIGHT TO MAKE CHANGES TO OUR STANDARD PRODUCTS. PLEASE CONSULT WITH BUD INDUSTRIES PRIOR TO USING THIS DRAWING FOR DESIGN PURPOSE.

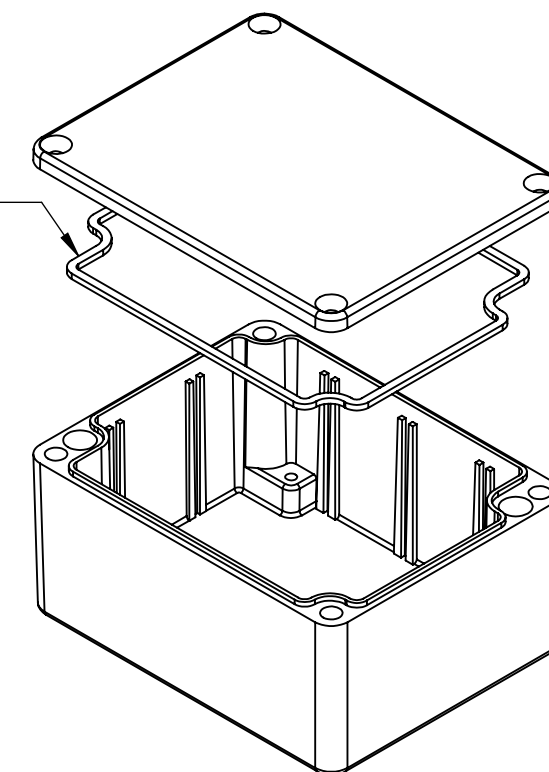
TYPE RATING 4, 4X, 6, 6P, 12 AND 13, COMPARE TO IP-68

80°C. MAXIMUM OPERATING TEMPERATURE

BODY COVER NOT SHOWN



GASKET
(NOT
INSTALLED)
MOLDED
SILICONE
GRAY



0.125 x 0.350 DEEP (4X)
[3.2] [8.9]
ACCEPTS M3.5 x 6mm LG.
OR #6 x 1/4" LG.
SELF-TAPPING SCREW
(NOT SUPPLIED - FOR PCB
MOUNTING)

SECTION A-A

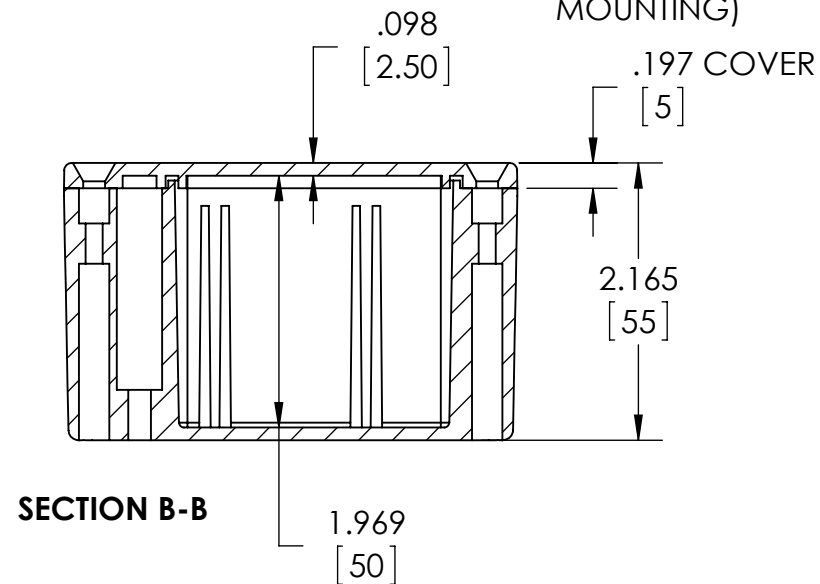
MATERIAL: BODY & COVER - ALUMINUM ALLOY #ADC-12

FINISH: NATURAL (SUFFIX -A)
SMOOTH BLACK POWDER-
COATED (SUFFIX -AB)

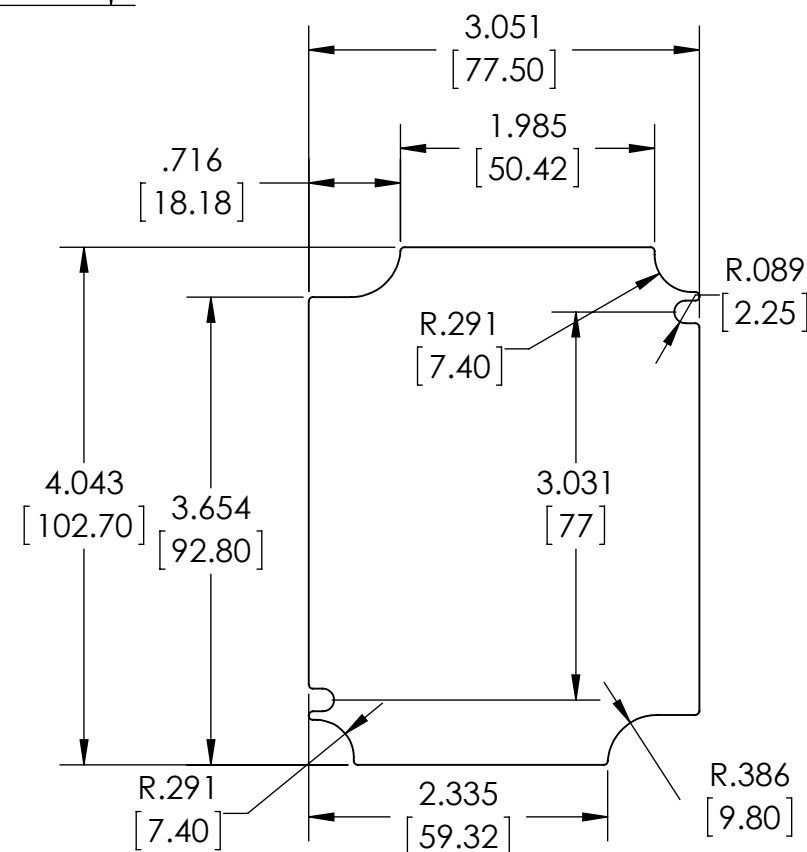
FOUR (4) M4x0.7 x 20mm (.79") LG. 90° CSK. HEAD
STAINLESS STEEL SCREWS SUPPLIED FOR ASSEMBLY
OF COVER TO BODY. APPLY AT 12 IN./LB. OF
TORQUE.

OUTSIDE AND INSIDE DRAFT ANGLE: 1°
DIMENSIONS ARE INCH[MM]

OPTIONAL ACCESSORIES:
PCB MOUNTING KIT #57-58
INTERNAL PANEL #ANX-91304
WALL MOUNT BRACKETS #ANX-1390
REPLACEMENT GASKET #1304GSKTSC



SECTION B-B



OPTIONAL INTERNAL PANEL AND SUGGESTED PC BOARD LAYOUT