

PART NAME

SERIES 30 UPRIGHT CABINET RACK

PART No.

30-2300 TO 30-2306

REV. DATE

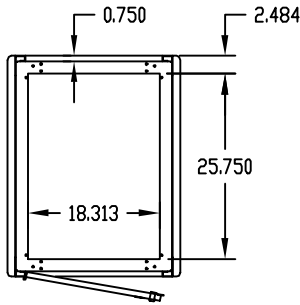
1-2-02

**FINISH:**

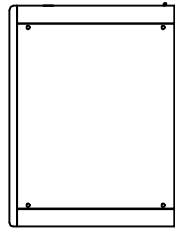
FRAME ASSEMBLY, DOOR, SIDES,  
TOP COWLS & TOP COVER \_\_\_\_\_ GRAY TEXTURE OR  
ROYAL BLUE TEXTURE  
PANEL MOUNTING RAILS \_\_\_\_\_ SMOOTH BLACK

**MATERIAL:**

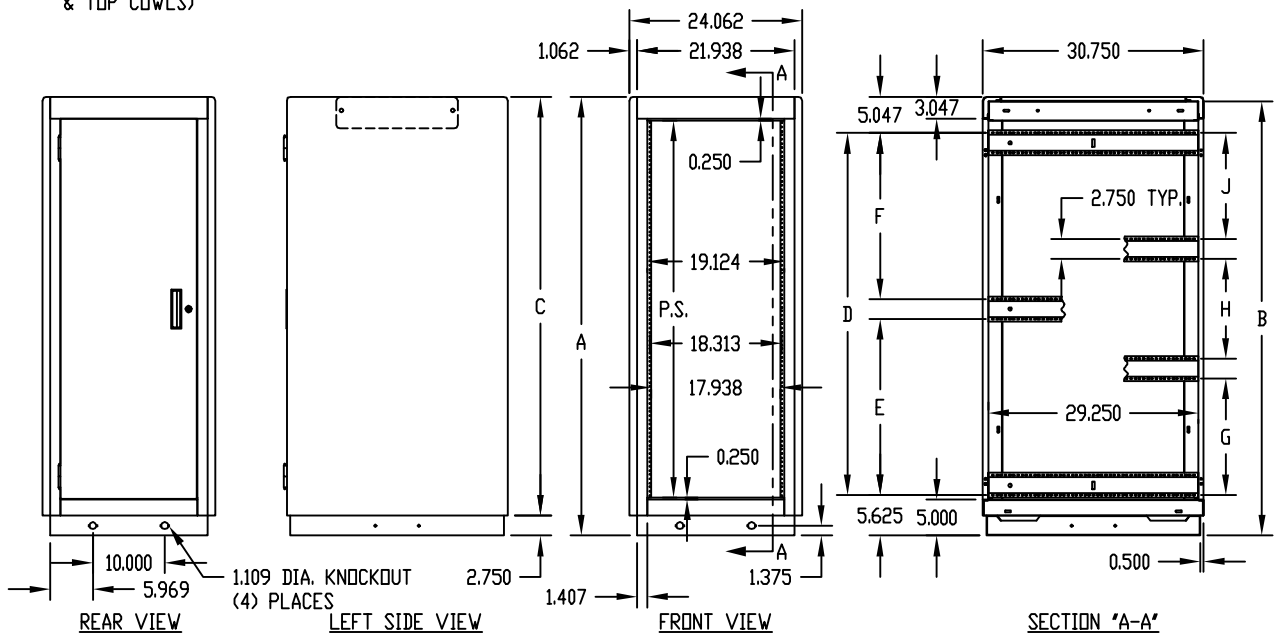
PANEL MOUNTING RAILS \_\_\_\_\_ 12 GA. STEEL  
FRAME TOP, BASE ASSEMBLY,  
FILLERS & VERTICAL RAILS \_\_\_\_\_ 14 GA. STEEL  
RAIL SUPPORTS \_\_\_\_\_ 16 GA. STEEL  
TOP COWLS, TOP COVER & SIDES \_\_\_\_\_ 18 GA. STEEL  
DOOR \_\_\_\_\_ 20 GA. STEEL



TOP VIEW  
(LESS TOP COVER  
& TOP COWLS)



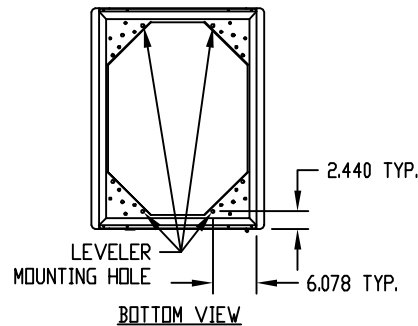
TOP VIEW



PANEL MOUNTING RAILS (FRONT & REAR)  
ARE TAPPED #10-32 ON E.I.A. UNIVERSAL  
SPACING AND ARE FULLY ADJUSTABLE.

BOTTOM PIERCED FOR MOUNTING RC-7758 CASTERS.

LOAD RATING: 1200 LBS. MAX.



BOTTOM VIEW

| PART No. | P.S.   | A      | B      | C      | D      | E      | F      | G      | H      | J      |
|----------|--------|--------|--------|--------|--------|--------|--------|--------|--------|--------|
| 30-2300  | 21.000 | 29.625 | 29.000 | 26.875 | 18.937 | —      | —      | —      | —      | —      |
| 30-2301  | 31.500 | 40.125 | 39.500 | 37.375 | 29.437 | —      | —      | —      | —      | —      |
| 30-2302  | 42.000 | 50.625 | 50.000 | 47.875 | —      | 19.281 | 17.906 | —      | —      | —      |
| 30-2303  | 52.500 | 61.125 | 60.500 | 58.375 | —      | 24.531 | 23.156 | —      | —      | —      |
| 30-2304  | 61.250 | 69.875 | 69.250 | 67.125 | —      | 28.906 | 27.531 | —      | —      | —      |
| 30-2305  | 70.000 | 78.625 | 78.000 | 75.875 | —      | 33.281 | 31.906 | —      | —      | —      |
| 30-2306  | 78.750 | 87.375 | 86.750 | 84.625 | —      | —      | —      | 25.125 | 22.312 | 23.750 |