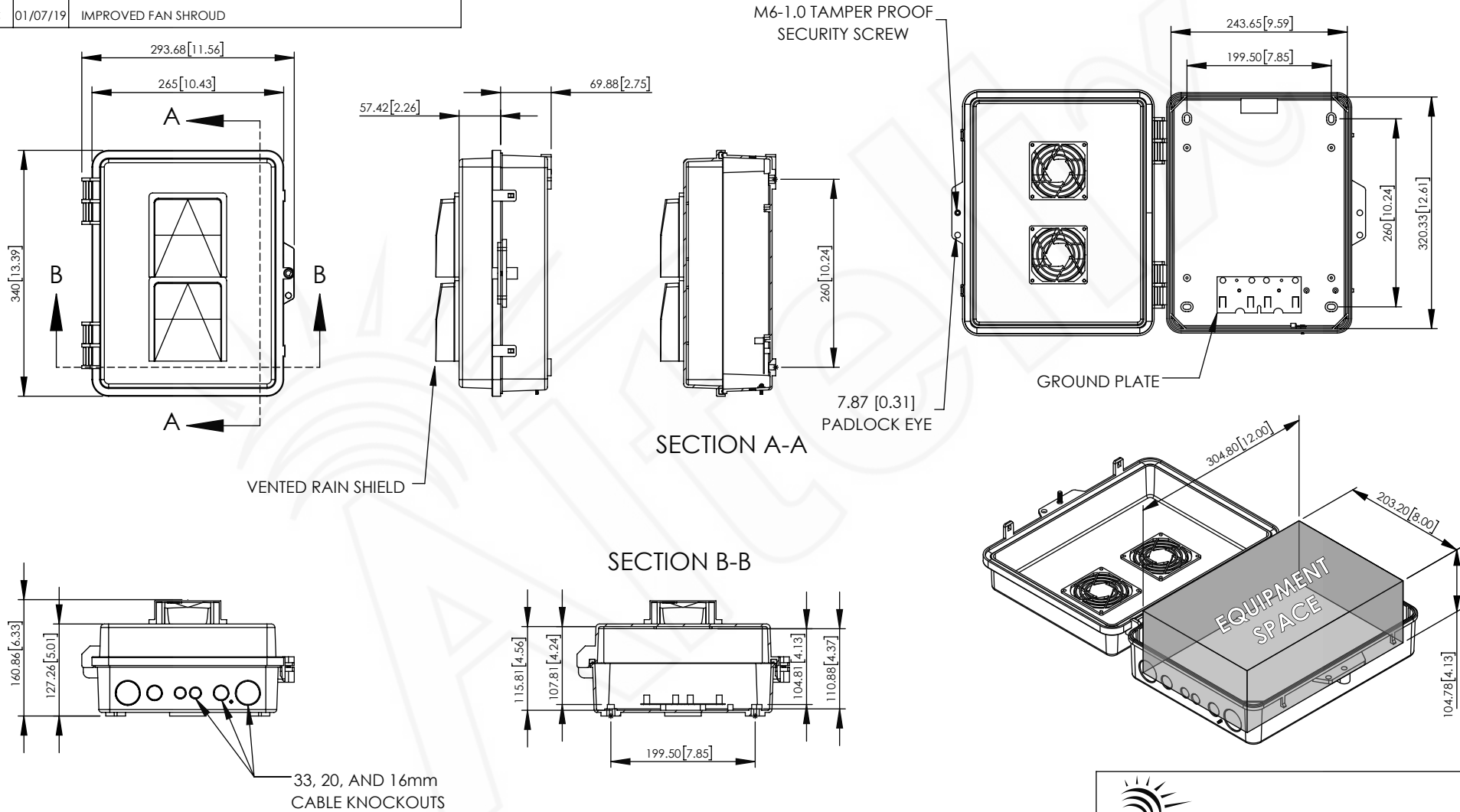


| REV | DATE | DESCRIPTION |
|-----|----------|---------------------|
| A | 01/09/18 | INITIAL RELEASE |
| B | 09/26/18 | ADDED CLARITY |
| C | 01/07/19 | IMPROVED FAN SHROUD |

THE INFORMATION CONTAINED IN THIS DRAWING IS THE SOLE PROPERTY OF ALTILIX LLC. ANY REPRODUCTION IN PART OR WHOLE WITHOUT THE WRITTEN PERMISSION OF ALTILIX LLC IS PROHIBITED. ALL SPECIFICATIONS SUBJECT TO CHANGE WITHOUT NOTICE. (C) 2017 ALTILIX LLC.



| NO. | DESCRIPTION | MATERIAL | FINISH | QTY. |
|-----|----------------|----------|--------|------|
| 8 | - | - | - | - |
| 7 | - | - | - | - |
| 6 | - | - | - | - |
| 5 | - | - | - | - |
| 4 | - | - | - | - |
| 3 | - | - | - | - |
| 2 | - | - | - | - |
| 1 | NEMA ENCLOSURE | PC+ABS | - | 1 |

UNLESS OTHERWISE SPECIFIED:
DIMENSIONS ARE IN MILLIMETERS.
DIMENSIONS IN [] ARE IN INCHES AND
ARE FOR CUSTOMER REFERENCE ONLY.

TOLERANCES FOR MILLIMETERS:
0.5-8mm ± 0.20mm
8-30mm ± 0.40mm
30-120mm ± 0.50mm

| TASK | NAME | DATE |
|----------|------------|----------|
| DRAWN BY | N. COLUCCI | 01/09/18 |
| CHECKED | - | - |
| APPROVED | - | - |

Altelix 1201 Clint Moore Road
Boca Raton, FL 33487
www.altelix.com TEL: 561-660-WIFI

| PART DESCRIPTION | |
|--------------------------------------|---------------|
| 14 x 11 x 5 VENTED NEMA ENCLOSURE | |
| PART NUMBER | NP141105V |
| DRAWING NUMBER | DRW-NP141105V |
| SCALE: 1:8 | REV: C |
| SHEET 1 OF 1 | |