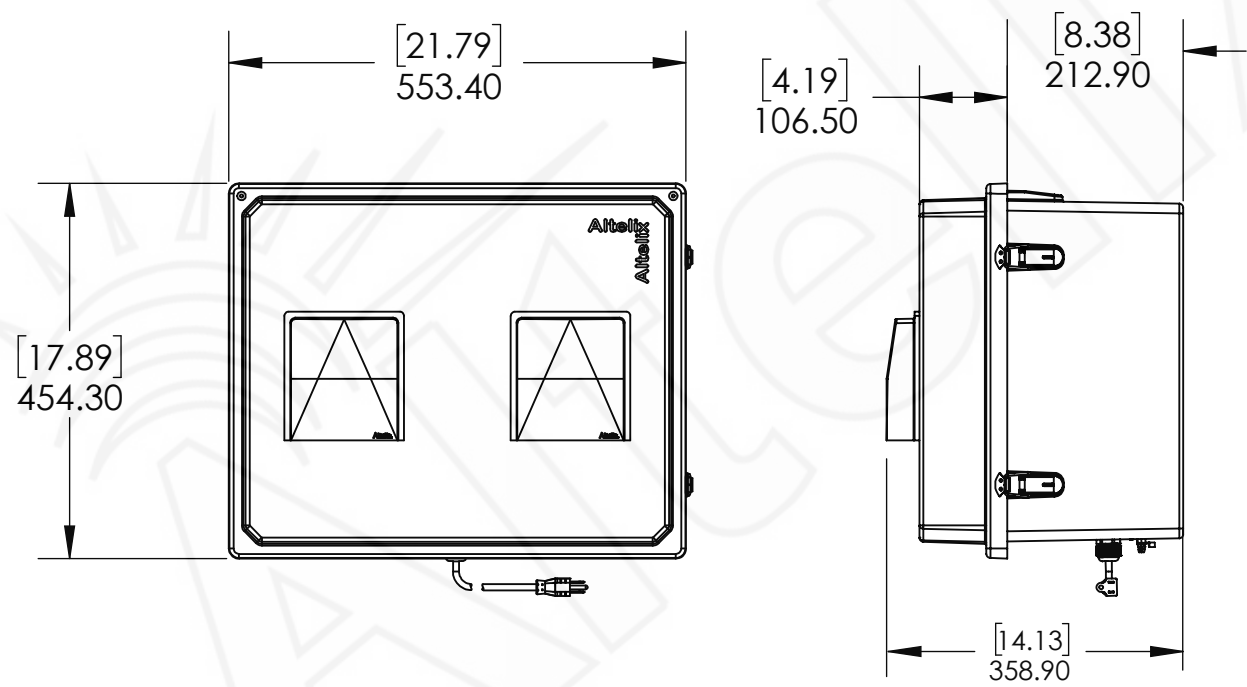


REV	DATE	DESCRIPTION
A	03-19-25	INITIAL RELEASE

THE INFORMATION CONTAINED IN THIS DRAWING IS THE SOLE PROPERTY OF ALTELIX LLC. ANY REPRODUCTION IN PART OR WHOLE WITHOUT THE WRITTEN PERMISSION OF ALTELIX LLC IS PROHIBITED. (C) 2019 ALTELIX LLC.



NO.	DESCRIPTION	MATERIAL	FINISH	QTY.
8	-	-	-	-
7	-	-	-	-
6	-	-	-	-
5	-	-	-	-
4	-	-	-	-
3	-	-	-	-
2	-	-	-	-
1	NEMA ENCLOSURE	FRP	-	1

UNLESS OTHERWISE SPECIFIED:
 DIMENSIONS ARE IN MILLIMETERS.
 DIMENSIONS IN [] ARE IN INCHES AND
 ARE FOR CUSTOMER REFERENCE ONLY.

TOLERANCES FOR MILLIMETERS:
 0.5-8mm ± 0.20mm
 8-30mm ± 0.40mm
 30-120mm ± 0.50mm

TASK	NAME	DATE
DRAWN BY	W.D.B.	03-19-25
CHECKED	-	-
APPROVED	-	-



1201 Clint Moore Road
 Boca Raton, FL 33487
 TEL: 561-660-WIFI
www.altelix.com

PART DESCRIPTION		
16X20X12 INCH NEMA ENCLOSURE with Vented Fan and 120VAC		
PART NUMBER	NF16VF-BA1C-RV4U-SNS1-2	
DRAWING NUMBER	DRW-NF16VF-BA1C-RV4U-SNS1-2	
SCALE:	1:12	REV: A
		SHEET 1 OF 1