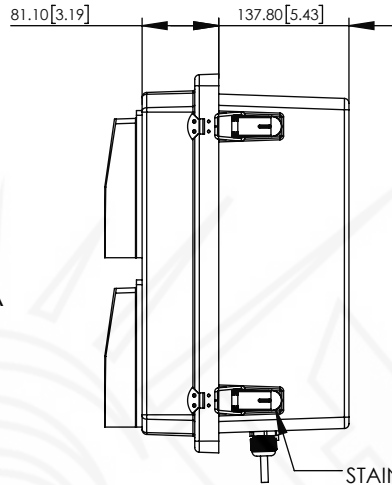
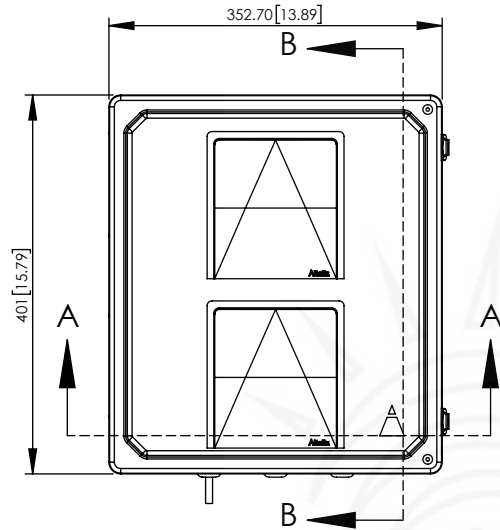
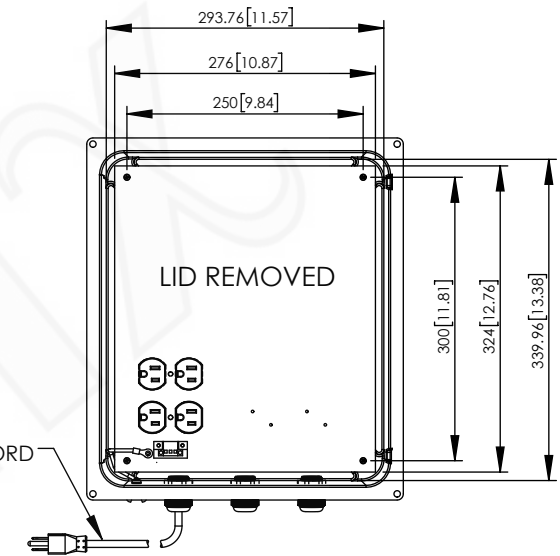
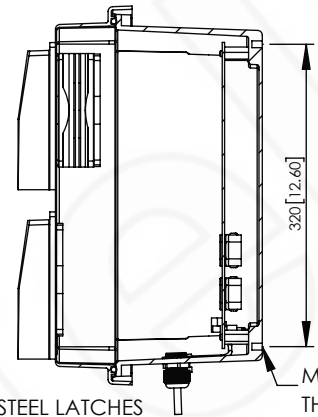


| REV | DATE | DESCRIPTION |
|-----|----------|-------------------------------------|
| A | 12/05/17 | INITIAL RELEASE |
| B | 08/10/18 | ADDITIONAL OUTLET |
| C | 10/18/18 | UPDATED ANNOTATIONS |
| D | 07/23/19 | UPDATED DESIGN |
| E | 03/23/20 | NEW TERMINAL STRIP AND CABLE GLANDS |
| F | 03/28/22 | UPDATED MOUNTING PLATE |

THE INFORMATION CONTAINED IN THIS DRAWING IS THE SOLE PROPERTY OF ALTELIX LLC. ANY REPRODUCTION IN PART OR WHOLE WITHOUT THE WRITTEN PERMISSION OF ALTELIX LLC IS PROHIBITED. ALL SPECIFICATIONS SUBJECT TO CHANGE WITHOUT NOTICE. (C) 2017 ALTELIX LLC.



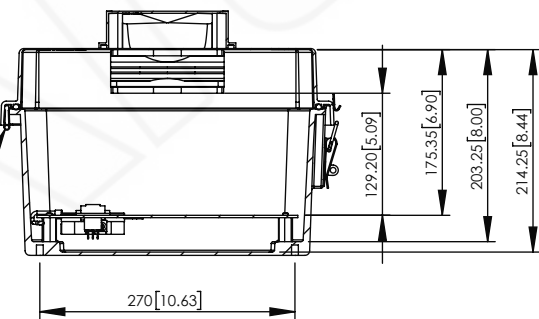
SECTION B-B



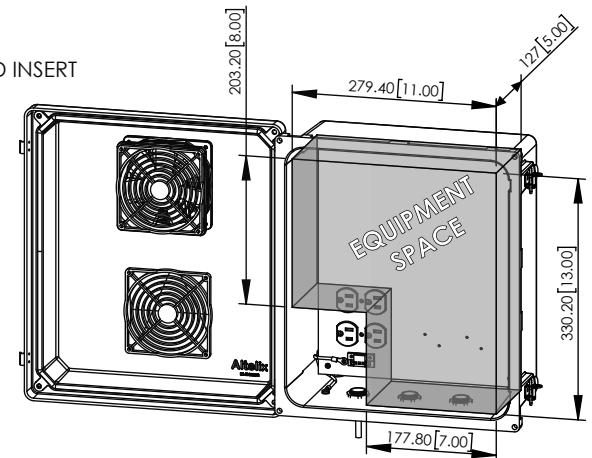
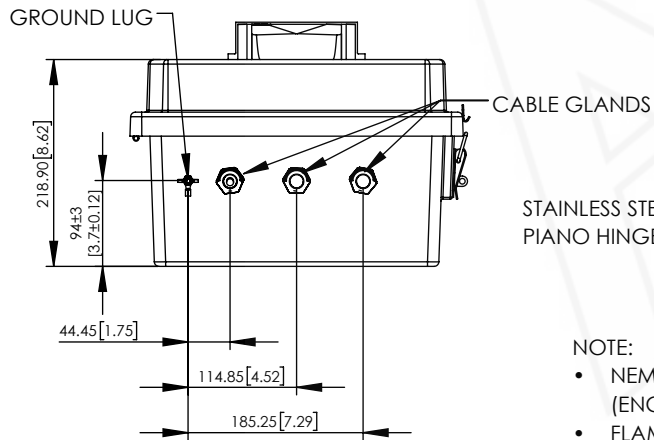
POWER CORD
M5-0.8
THREADED INSERT

STAINLESS STEEL LATCHES
Ø5.96 [0.23] PADLOCK EYE

SECTION A-A



STAINLESS STEEL
PIANO HINGE



NOTE:

- NEMA RATED TYPE 3R, 3RX/IP24
(ENCLOSURE PORTS MUST BE PROPERLY SEALED TO MAINTAIN NEMA RATING)
- FLAME RATED UL94-5V

| NO. | DESCRIPTION | MATERIAL | FINISH | QTY. |
|-----|----------------|----------|--------|------|
| 8 | - | - | - | - |
| 7 | - | - | - | - |
| 6 | - | - | - | - |
| 5 | - | - | - | - |
| 4 | - | - | - | - |
| 3 | - | - | - | - |
| 2 | - | - | - | - |
| 1 | NEMA ENCLOSURE | FRP | - | 1 |

UNLESS OTHERWISE SPECIFIED:
DIMENSIONS ARE IN MILLIMETERS.
DIMENSIONS IN [] ARE IN INCHES AND
ARE FOR CUSTOMER REFERENCE ONLY.

TOLERANCES FOR MILLIMETERS:
0.5-8mm ± 0.20mm
8-30mm ± 0.40mm
30-120mm ± 0.50mm

| TASK | NAME | DATE |
|----------|------------|----------|
| DRAWN BY | N. COLUCCI | 12/05/17 |
| CHECKED | - | - |
| APPROVED | - | - |

Altelix
www.altelix.com

1201 Clint Moore Road
Boca Raton, FL 33487
TEL: 561-660-WIFI

PART DESCRIPTION
**14 X 12 X 8 NEMA ENCLOSURE WITH
FAN, 120VAC AND POWER CORD**

PART NUMBER: NF141208VFA1C

DRAWING NUMBER: DRW-NF141208VFA1C

SCALE: 1:8 REV: F SHEET 1 OF 1