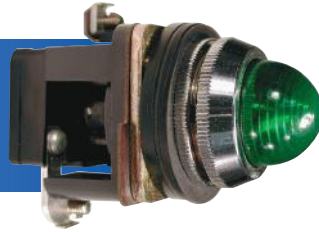


30mm Metal Pilot Lights



Certified for
NEMA Type 4X
12 environment.

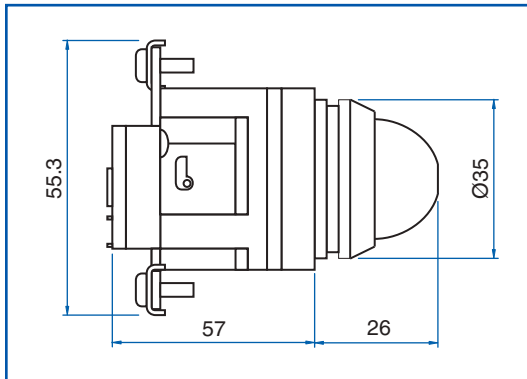
Pilot Light



Note:
All LED pilot lights and illuminated actuators at a specified voltage will operate on AC and DC.
Except for 110 and 230V specify AC or DC type.

Dimensional Drawings

Pilot Light



Replacement bulbs available.
See page 54.

Filament Bulb

Color	Voltage	Cat No.
24V AC/DC (filament bulb)		
<input type="checkbox"/> White	24V AC/DC	PLB1-024
<input checked="" type="checkbox"/> Green	24V AC/DC	PLB3-024
<input checked="" type="checkbox"/> Red	24V AC/DC	PLB4-024
<input checked="" type="checkbox"/> Amber	24V AC/DC	PLB5-024
<input checked="" type="checkbox"/> Blue	24V AC/DC	PLB6-024
<input type="checkbox"/> Clear	24V AC/DC	PLB7-024
<input checked="" type="checkbox"/> Yellow	24V AC/DC	PLB8-024
48V AC/DC (filament bulb)		
<input type="checkbox"/> White	48V AC/DC	PLB1-048
<input checked="" type="checkbox"/> Green	48V AC/DC	PLB3-048
<input checked="" type="checkbox"/> Red	48V AC/DC	PLB4-048
<input checked="" type="checkbox"/> Amber	48V AC/DC	PLB5-048
<input checked="" type="checkbox"/> Blue	48V AC/DC	PLB6-048
<input type="checkbox"/> Clear	48V AC/DC	PLB7-048
<input checked="" type="checkbox"/> Yellow	48V AC/DC	PLB8-048
110V AC/DC (filament bulb)		
<input type="checkbox"/> White	110V AC/DC	PLB1-110
<input checked="" type="checkbox"/> Green	110V AC/DC	PLB3-110
<input checked="" type="checkbox"/> Red	110V AC/DC	PLB4-110
<input checked="" type="checkbox"/> Amber	110V AC/DC	PLB5-110
<input checked="" type="checkbox"/> Blue	110V AC/DC	PLB6-110
<input type="checkbox"/> Clear	110V AC/DC	PLB7-110
<input checked="" type="checkbox"/> Yellow	110V AC/DC	PLB8-110
230V AC/DC (filament bulb)		
<input type="checkbox"/> White	230V AC/DC	PLB1-230
<input checked="" type="checkbox"/> Green	230V AC/DC	PLB3-230
<input checked="" type="checkbox"/> Red	230V AC/DC	PLB4-230
<input checked="" type="checkbox"/> Amber	230V AC/DC	PLB5-230
<input checked="" type="checkbox"/> Blue	230V AC/DC	PLB6-230
<input type="checkbox"/> Clear	230V AC/DC	PLB7-230
<input checked="" type="checkbox"/> Yellow	230V AC/DC	PLB8-230

LED Bulb

Color	Voltage	Cat No.
24V AC/DC (LED bulb)		
<input type="checkbox"/> White	24V AC/DC	PLB1LB-024
<input checked="" type="checkbox"/> Green	24V AC/DC	PLB3LB-024
<input checked="" type="checkbox"/> Red	24V AC/DC	PLB4LB-024
<input checked="" type="checkbox"/> Amber	24V AC/DC	PLB5LB-024
<input checked="" type="checkbox"/> Blue	24V AC/DC	PLB6LB-024
<input type="checkbox"/> Clear	24V AC/DC	PLB7LB-024
<input checked="" type="checkbox"/> Yellow	24V AC/DC	PLB8LB-024
48V AC/DC (LED bulb)		
<input type="checkbox"/> White	48V AC/DC	PLB1LB-048
<input checked="" type="checkbox"/> Green	48V AC/DC	PLB3LB-048
<input checked="" type="checkbox"/> Red	48V AC/DC	PLB4LB-048
<input checked="" type="checkbox"/> Amber	48V AC/DC	PLB5LB-048
<input checked="" type="checkbox"/> Blue	48V AC/DC	PLB6LB-048
<input type="checkbox"/> Clear	48V AC/DC	PLB7LB-048
<input checked="" type="checkbox"/> Yellow	48V AC/DC	PLB8LB-048
110V AC/DC (LED bulb)		
<input type="checkbox"/> White	110V AC	PLB1LB-110
<input checked="" type="checkbox"/> Green	110V AC	PLB3LB-110
<input checked="" type="checkbox"/> Red	110V AC	PLB4LB-110
<input checked="" type="checkbox"/> Amber	110V AC	PLB5LB-110
<input checked="" type="checkbox"/> Blue	110V AC	PLB6LB-110
<input type="checkbox"/> Clear	110V AC	PLB7LB-110
<input checked="" type="checkbox"/> Yellow	110V AC	PLB8LB-110
230V AC* (LED bulb)		
<input type="checkbox"/> White	230V AC*	PLB1LB-230
<input checked="" type="checkbox"/> Green	230V AC*	PLB3LB-230
<input checked="" type="checkbox"/> Red	230V AC*	PLB4LB-230
<input checked="" type="checkbox"/> Amber	230V AC*	PLB5LB-230
<input checked="" type="checkbox"/> Blue	230V AC*	PLB6LB-230
<input type="checkbox"/> Clear	230V AC*	PLB7LB-230
<input checked="" type="checkbox"/> Yellow	230V AC*	PLB8LB-230

*230V DC version is available on request.