

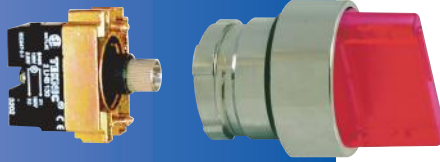
22mm LED Illuminated Metal Selector Switch Operators



Certified for
NEMA Type 4X
12 environment.

Selector

with bulb holder,
LED bulb and
mounting bracket



Other combinations and colors available upon request.
Please contact Altech for further information and part numbers.

XXX = Voltage Codes

| | | |
|------|---|-----------|
| 012 | = | 12VAC/DC |
| 024 | = | 24VAC/DC |
| 048 | = | 48VAC/DC |
| 110 | = | 110VAC/DC |
| 230 | = | 230VAC |
| 230D | = | 230VDC |

**SAMPLE
ASSEMBLY**



Push button assemblies are available
in a variety of custom configurations.



Replacement
bulbs available.
See page 39.

Color Function Cat No.

2 Position

| | | | | |
|--------------------------|--------|--|------------|---------------|
| <input type="checkbox"/> | White | | Maintained | 2ASL1LB-1-XXX |
| <input type="checkbox"/> | Green | | Maintained | 2ASL3LB-1-XXX |
| <input type="checkbox"/> | Red | | Maintained | 2ASL4LB-1-XXX |
| <input type="checkbox"/> | Amber | | Maintained | 2ASL5LB-1-XXX |
| <input type="checkbox"/> | Blue | | Maintained | 2ASL6LB-1-XXX |
| <input type="checkbox"/> | Clear | | Maintained | 2ASL7LB-1-XXX |
| <input type="checkbox"/> | Yellow | | Maintained | 2ASL8LB-1-XXX |

2 Position

| | | | | |
|--------------------------|--------|--|---------------|---------------|
| <input type="checkbox"/> | White | | Spring Return | 2ASL1LB-2-XXX |
| <input type="checkbox"/> | Green | | Spring Return | 2ASL3LB-2-XXX |
| <input type="checkbox"/> | Red | | Spring Return | 2ASL4LB-2-XXX |
| <input type="checkbox"/> | Amber | | Spring Return | 2ASL5LB-2-XXX |
| <input type="checkbox"/> | Blue | | Spring Return | 2ASL6LB-2-XXX |
| <input type="checkbox"/> | Clear | | Spring Return | 2ASL7LB-2-XXX |
| <input type="checkbox"/> | Yellow | | Spring Return | 2ASL8LB-2-XXX |

3 Position

| | | | | |
|--------------------------|--------|--|------------|---------------|
| <input type="checkbox"/> | White | | Maintained | 2ASL1LB-3-XXX |
| <input type="checkbox"/> | Green | | Maintained | 2ASL3LB-3-XXX |
| <input type="checkbox"/> | Red | | Maintained | 2ASL4LB-3-XXX |
| <input type="checkbox"/> | Amber | | Maintained | 2ASL5LB-3-XXX |
| <input type="checkbox"/> | Blue | | Maintained | 2ASL6LB-3-XXX |
| <input type="checkbox"/> | Clear | | Maintained | 2ASL7LB-3-XXX |
| <input type="checkbox"/> | Yellow | | Maintained | 2ASL8LB-3-XXX |

3 Position, spring return from left and right

| | | | | |
|--------------------------|--------|--|---------------|---------------|
| <input type="checkbox"/> | White | | Spring Return | 2ASL1LB-4-XXX |
| <input type="checkbox"/> | Green | | Spring Return | 2ASL3LB-4-XXX |
| <input type="checkbox"/> | Red | | Spring Return | 2ASL4LB-4-XXX |
| <input type="checkbox"/> | Amber | | Spring Return | 2ASL5LB-4-XXX |
| <input type="checkbox"/> | Blue | | Spring Return | 2ASL6LB-4-XXX |
| <input type="checkbox"/> | Clear | | Spring Return | 2ASL7LB-4-XXX |
| <input type="checkbox"/> | Yellow | | Spring Return | 2ASL8LB-4-XXX |

3 Position, spring return from left

| | | | | |
|--------------------------|--------|--|---------------|---------------|
| <input type="checkbox"/> | White | | Spring Return | 2ASL1LB-5-XXX |
| <input type="checkbox"/> | Green | | Spring Return | 2ASL3LB-5-XXX |
| <input type="checkbox"/> | Red | | Spring Return | 2ASL4LB-5-XXX |
| <input type="checkbox"/> | Amber | | Spring Return | 2ASL5LB-5-XXX |
| <input type="checkbox"/> | Blue | | Spring Return | 2ASL6LB-5-XXX |
| <input type="checkbox"/> | Clear | | Spring Return | 2ASL7LB-5-XXX |
| <input type="checkbox"/> | Yellow | | Spring Return | 2ASL8LB-5-XXX |

3 Position, spring return from right




| | | | | |
|--------------------------|--------|--|---------------|---------------|
| <input type="checkbox"/> | White | | Spring Return | 2ASL1LB-6-XXX |
| <input type="checkbox"/> | Green | | Spring Return | 2ASL3LB-6-XXX |
| <input type="checkbox"/> | Red | | Spring Return | 2ASL4LB-6-XXX |
| <input type="checkbox"/> | Amber | | Spring Return | 2ASL5LB-6-XXX |
| <input type="checkbox"/> | Blue | | Spring Return | 2ASL6LB-6-XXX |
| <input type="checkbox"/> | Clear | | Spring Return | 2ASL7LB-6-XXX |
| <input type="checkbox"/> | Yellow | | Spring Return | 2ASL8LB-6-XXX |

22mm LED Illuminated Metal Selector Switch Operators **Altech**

Dimensional Drawings

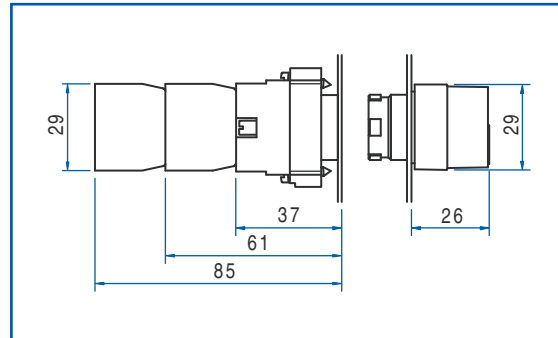
All dimensions shown in millimeters.
To convert to inches multiply by 0.03937

3 Position Selector Switch Contact Block Guide

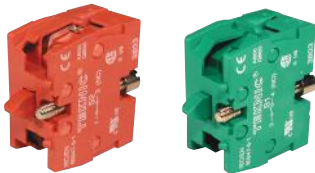
|  |  |  | CONTACTOR BLOCK GUIDE |
|---|---|---|--------------------------------|
| x | o | o | 1 NO (left) |
| o | x | o | 2 NC in series (side x side) |
| o | o | x | 1 NO (right) |
| x | x | o | 1 NC (right) |
| o | x | x | 1 NC (left) |
| x | o | x | 2 NO in parallel (side x side) |

(Left or right as seen from front of operator)

Illuminated Selector



Switch Contacts (sold separately)



- Heavy-duty contact blocks with mounting screws. Blocks can be stacked 2 blocks across by 3 blocks deep for a total of 6 circuits.
- Contact blocks are available with silver contacts or gold plated contacts
- Self-wiping contacts

Panel Mount

| | |
|-----------------------------|-----------|
| Normally Open Silver | S1 |
| Normally Closed Silver | S2 |
| Normally Open Gold Plated | S3 |
| Normally Closed Gold Plated | S4 |

Base Mount*

| | |
|-----------------------------|-----------|
| Normally Open Silver | S5 |
| Normally Closed Silver | S6 |
| Normally Open Gold Plated | S7 |
| Normally Closed Gold Plated | S8 |

* For use with non-illuminated operators in thermoplastic or aluminum enclosures listed on pages 30 and 36-37.

Exploded Assembly View

- Up to four switch contacts can be installed with any Illuminated operator.
- Switch contacts and operators are sold separately. Preassembled push buttons are available on request.

