

AM Series

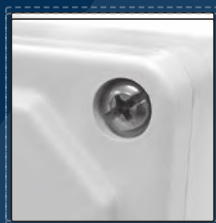
SMALL JUNCTION BOXES

Cover Type

Solid/Opaque

Closure Type

Lift-Off Screw Cover



Application

Designed for use as electrical junction boxes, terminal wiring boxes, instrumentation housings, and electrical control enclosures

- Especially well suited for high temperature or corrosive environments
- Protects from dirt, dust, oil and water
- For use with industrial control equipment

Standards

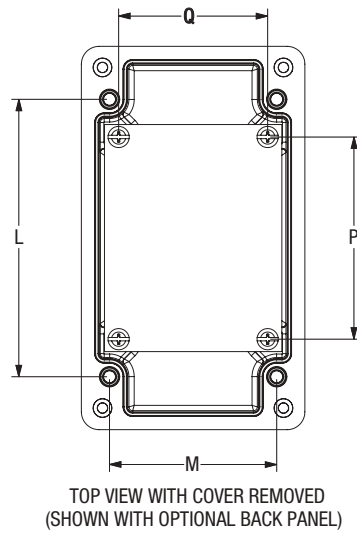
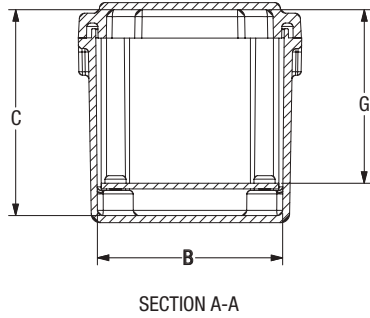
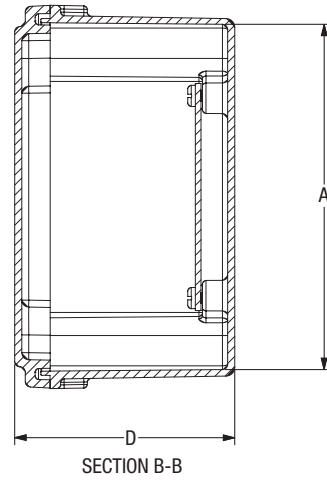
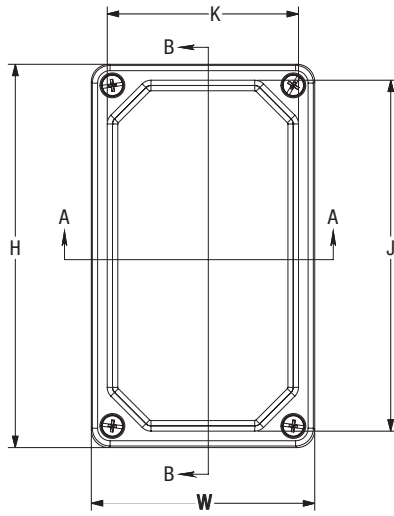
- UL 50 and UL 50E Types 1, 2, 3, 3R, 4, 4X, 12 and 13
- CSA C22.2 No. 94 Types 1, 2, 3, 3R, 4, 4X, 12 and 13
- Complies with:
 - NEMA Types 1, 2, 3, 3R, 4, 4X, 12 and 13
 - IEC 60529 Type IP66
 - RoHS directive

Construction

- Rugged, molded ULTRAGUARD® fiberglass reinforced polyester material construction with reinforced corners
- Two sizes: 7"x4"x3" and 9"x4"x3"
- 316 stainless steel captive cover screws
- Formed-In-Place (FIP) polyurethane gasket system encased in continuous channel
- 316 stainless steel wall mounting feet with 10-32 stainless steel screws included
- #10-32 threaded brass inserts for optional back panel installation
- UV stabilized for outdoor use

Accessories & Modifications

- Optional back panels
- Custom holes & cutouts
- Custom size polycarbonate viewing windows
- Molded-in color matching
- EMI/RFI shielding
- Factory-supplied silk screening



*Nom. Wall Thickness: .125 (3.2mm)

Part No.	Overall			Inside				Panel Sizes			J	K	L	M	P	Q
	H	W	D	A	B	C	G	Ht.	Wid.	P/N						
AM743	6.74	3.95	3.88	6.01	3.26	3.63	3.08	4.00	3.13	PA74 PF74	6.13	3.31	4.89	2.95	3.56	2.63
	171mm	100mm	98mm	153mm	83mm	92mm	78mm	102mm	80mm		156mm	84mm	124mm	75mm	90mm	67mm
*AM743SF	6.74	3.95	3.88	6.01	3.26	3.63	3.08	4.00	3.13	PA74 PF74	6.13	3.31	4.89	2.95	3.56	2.63
	171mm	100mm	98mm	153mm	83mm	92mm	78mm	102mm	80mm		156mm	84mm	124mm	75mm	90mm	67mm
AM943	8.99	3.93	3.88	8.26	3.26	3.63	3.08	6.25	3.13	PA94 PF94	8.31	3.31	7.13	2.94	5.81	2.63
	228mm	100mm	98mm	210mm	83mm	92mm	78mm	159mm	80mm		211mm	84mm	181mm	75mm	148mm	67mm
*AM943SF	8.99	3.93	3.88	8.26	3.26	3.63	3.08	6.25	3.13	PA94 PF94	8.31	3.31	7.13	2.94	5.81	2.63
	228mm	100mm	98mm	210mm	83mm	92mm	78mm	159mm	80mm		211mm	84mm	181mm	75mm	148mm	67mm

All dimensions are in inches unless otherwise noted

Data subject to change without notice

*Available with or without stainless steel mounting feet. Suffix "SF" denotes box without mounting feet.

Additional back panels found on page 128

