

HMI Cover Kits

HUMAN MACHINE INTERFACE

Allied Moulded's new HMI cover kits are designed to provide protection for instruments or electronics requiring routine attention or detail. The cover kit features a strong and rigid design, mounting securely to the outside of any enclosure option, and makes accessibility to electronic components easy!

HMI cover kits are UL[®] recognized and maintain a NEMA 4X seal with the use of our Formed-In-Place (FIP) polyurethane gasket system, and is well suited for outdoor applications. Multiple cover latching options are also available, including a hinge screw, tamper proof screw, and snap latch model. All are available in solid opaque or polycarbonate thermoplastic clear covers.

BASE P/N AMHMI



Application

Ideal for covering and protecting instruments or electronics through an enclosure wall, while maintaining all applicable standards and classifications

- No need to open the enclosure to view electronics or perform maintenance, decreasing arc flash risks and safety hazards
- Includes mounting hole pattern for easy cover kit installation
- Protects from UV, dirt, dust, oil, and water

Standards

- Recognized component for use with enclosures rated NEMA Types 1, 3, 3R, 4, 4X, 12 or 13

Construction

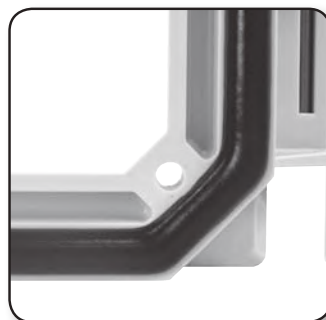
- Clear polycarbonate thermoplastic, or polycarbonate for opaque covers
- 316 stainless steel external cover latching hardware and hinge pin
- 316 stainless steel snap latches feature padlock hasp (.354" dia.)
- UV stabilized for outdoor use
- Formed-In-Place (FIP) polyurethane gasket in continuous channel
- Designed for use with wall thicknesses from 16 gauge through 1/4"
- #10-32 threaded brass inserts with plated steel mounting fasteners



Cover Latching Options



Secure Hinge Pin

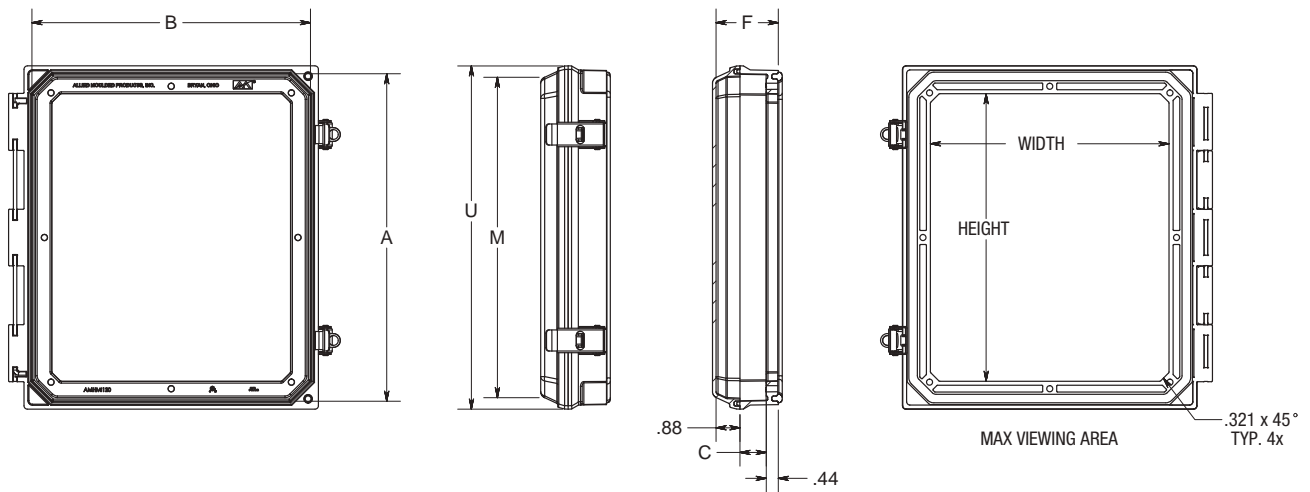


Formed-In-Place (FIP) Gasket

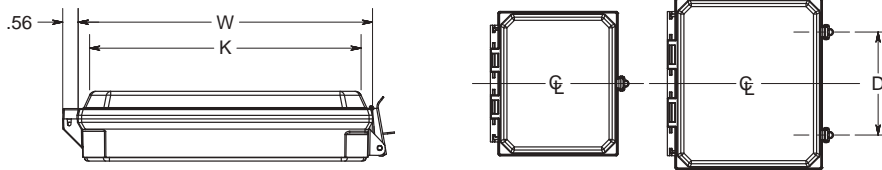


Prop Arm Accessory

For a full description of features and benefits, visit our website at www.AlliedMoulded.com



LATCH LOCATIONS



FOR USE ON

8X8
10X8

FOR USE ON

12x10 D=7.5 (191mm)
14x12 D=8.00 (203mm)
16x14 D=9.00 (229mm)
20x16 D=16.81 (427mm)

Note: For use on flat smooth surfaces of NEMA Types 1, 3, 3R, 4, 4X, 12 or 13 enclosures

Part No. Configuration Options	
Part No. Suffix	Description
CCH	Clear Cover Hinge / 2 Screws
CCHTP	Clear Cover Hinge Tamper Proof Screw
CCL	Clear Cover Hinge Snap Latch
H	Opaque Cover Hinge / 2 Screws
HTP	Opaque Cover Hinge Tamper Proof Screw
L	Opaque Cover Hinge Snap Latch

Prop Arm Size Configuration	
HMI Size	Part No.
8" x 8"	AMHMIPROP88
10" x 8"	AMHMIPROP108
12" x 10"	AMHMIPROP120
14" x 12"	AMHMIPROP142
16" x 14"	AMHMIPROP164
20" x 16"	AMHMIPROP206

Base Part No.	Frame Size Inside Dimensions			Usable Depth	Cover Size				Max Viewing Area		Nom. Wall Thickness
	A	B	C		F	K	M	W	U	Width	
AMHMI88	7.93	8.15	0.96	2.27	7.75	7.53	8.72	8.5	6.69	6.47	0.14
	201mm	207mm	24mm	58mm	197mm	191mm	221mm	216mm	170mm	164mm	4mm
AMHMI108	9.93	8.15	0.96	2.27	7.89	9.67	8.72	10.5	6.69	8.47	0.14
	252mm	207mm	24mm	58mm	200mm	246mm	221mm	267mm	170mm	215mm	4mm
AMHMI120	11.93	10.15	0.96	2.27	9.89	11.67	10.72	12.5	8.69	10.47	0.14
	303mm	258mm	24mm	58mm	251mm	296mm	272mm	318mm	221mm	266mm	4mm
AMHMI142	13.95	12.07	0.96	2.2	11.89	13.67	12.72	14.5	10.71	12.49	0.19
	354mm	307mm	24mm	56mm	302mm	347mm	323mm	368mm	272mm	317mm	5mm
AMHMI164	15.87	14.07	0.96	2.2	13.89	14.72	14.72	16.5	12.71	14.49	0.19
	403mm	357mm	24mm	56mm	353mm	374mm	374mm	419mm	323mm	368mm	5mm
★ AMHMI206	19.85	16.07	0.96	2.27	15.75	19.53	16.72	20.5	14.71	18.49	0.19
	504mm	408mm	24mm	58mm	400mm	496mm	425mm	521mm	374mm	470mm	5mm

All dimensions are in inches unless otherwise noted

Data subject to change without notice

Base part number listed only. To complete part number, refer to the "Part # Suffix" chart above

Add the "Part No. Suffix" to the base part number to create a complete

HMI cover kit (ex. AMHMI120CCL is a 12" x 10" with a clear cover and latch)

Refer to website for complete mounting hole pattern configuration

★ Coming soon!

