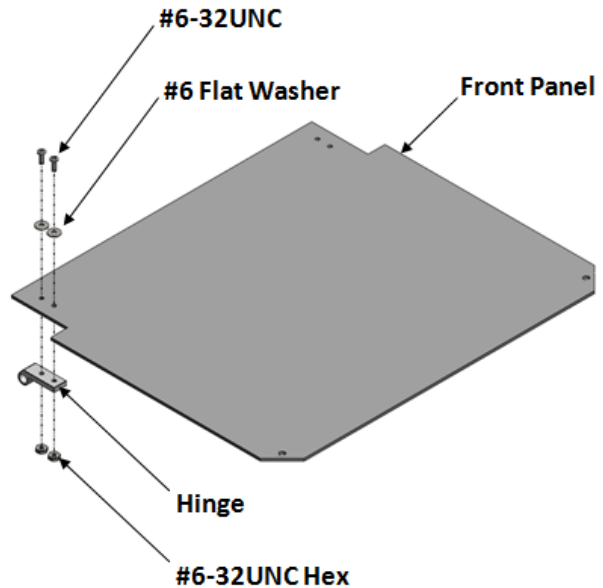




Instructions for Mounting Hinge to Front Panel

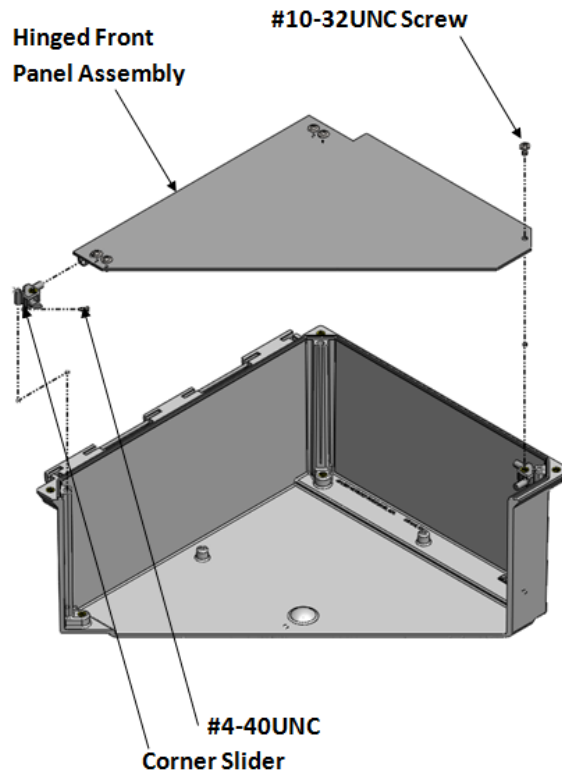
1. Place (1) #6-32UNC hex nut into (1) hinge (hold in place).
2. Install (1) #6-32UNC x 3/8" pan head screw with (1) #6 flat washer through the front panel and the hinge into the hex nut.
3. Repeat steps 1 and 2 for other screw.
4. Repeat steps 1-3 for other Hinge.
5. Leave all the screws slightly loose.

Hinged Front Panel Kit	Front Panel P/N
HFPP66	70-60820HFPPC1
HFPP86	70-60821HFPPC1
HFPP88	70-60884HFPPC1
HFPP108	70-60829HFPPC1
HFPP120	70-60830HFPPC1
HFPP142	70-60831HFPPC1



Instructions for Mounting Hinged Front Panel to Enclosure

1. Install (1) corner slider in each corner slot opposite hinge side.
2. Install (1) #4-40 x 5/16" self-tap screw into each of the holes of the corner sliders evenly until the screw head touches the slider's flange to lock them in place at the desired panel depth (1.5" max. from the top of box).
3. Install (1) corner slider on each side of the hinged front panel assembly as shown.
4. Install the hinged front panel assembly with the corner sliders into the hinged side of box
5. Install (1) #4-40 x 5/16" self-tap screw into each of the holes of the corner sliders evenly until the screw head touches the slider's flange to lock them in place at the desired panel depth (1.5" max. from the top of box).
6. Align the panel with the corner sliders opposite the hinge and install (1) #10-32 x 5/16" screw if desired, to lock panel in place.
7. Tighten all #6-32 screws through the hinges.



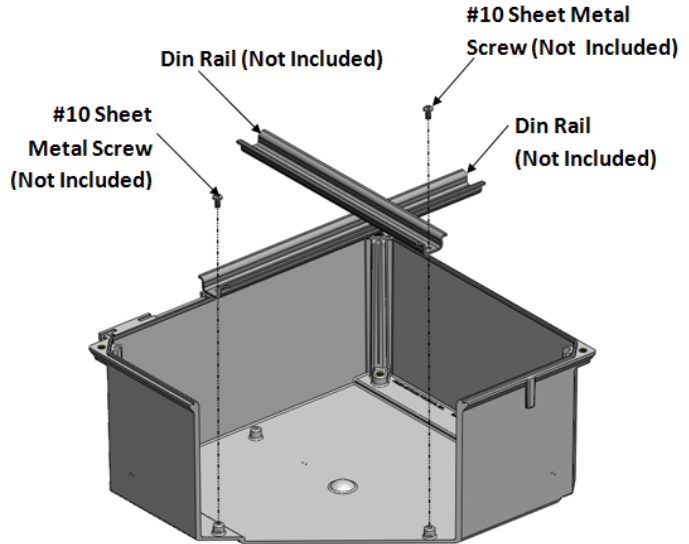
NOTE: For the 1648 & 1860 series, the #4-40 self-tap screws are not used. On these series, there is a pre-installed #10-32 set screw that is tightened to lock the sliders in position.

The panel can be adjusted more than 4" from the top of the box for the 1648 & 1860 series.



Instructions for Mounting the Din Rail*

1. Cut and place the Din Rail in the position preferred on (2) bosses on bottom of box.
2. Install (2) #10 x 3/8" sheet metal screws into the boss holes and tighten.



***Din Rails not available through Allied Moulded Products, Inc.**

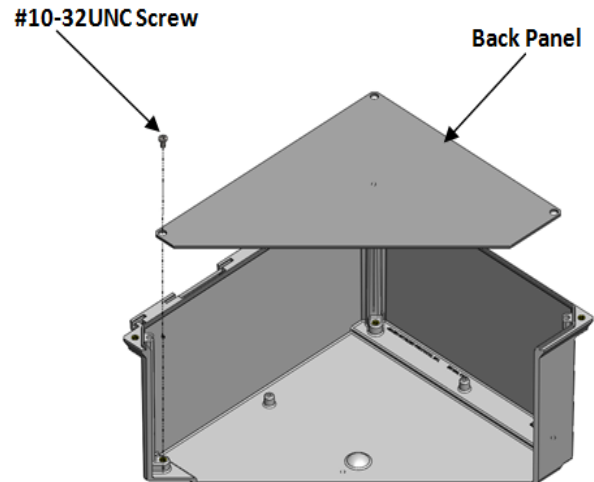
Instructions for Mounting the Stationary Back Panel

1. Place the Back Panel with the plastic covered side up on the (4) bosses on bottom of box.
2. Install the (4) #10-32UNC x 5/16" pan head screws* into the (4) brass inserts in bottom of box.

***Screws supplied with enclosure.**

Back Panel Catalog Part Numbers

Size	Aluminum P/N	Painted Carbon Steel P/N	PVC P/N
664	PLA66	PL66	PLPVC66
864	PLA86	PL86	PLPVC86
884	PLA88	PL88	PLPVC88
1082/1084/1086	PLA108	PL108	PLPVC108
1204/1206	PLA120	PL120	PLPVC120
1426	PLA142	PL142	PLPVC142



Allied Moulded Products, Inc.

222 North Union Street • Bryan, OH 43506
Phone: 1-800-722-2679 • Fax: 1-800-237-7269
www.alliedmoulded.com