

AMU Series

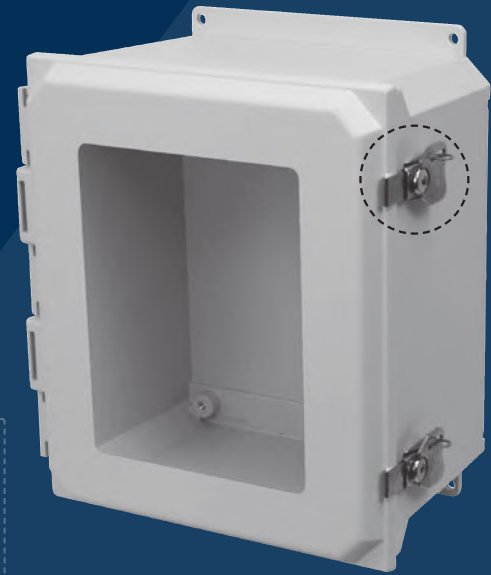
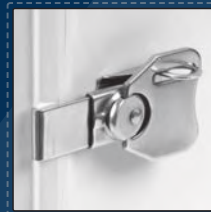
JIC SIZE JUNCTION BOXES

Cover Type

Viewing Window

Closure Type

Twist Latch Hinged Cover



Application

Designed to insulate and protect controls and components in both indoor and outdoor applications often found in oil refineries, waste water treatment equipment, chemical plants, and many other applications

- Especially well suited for high temperature or corrosive environments
- Protects from dirt, dust, oil and water
- For use with industrial control equipment
- Clear polycarbonate viewing window, used in applications where critical electronic equipment must be visible and protected from the elements

Standards

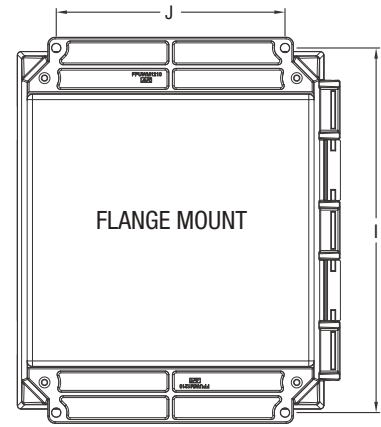
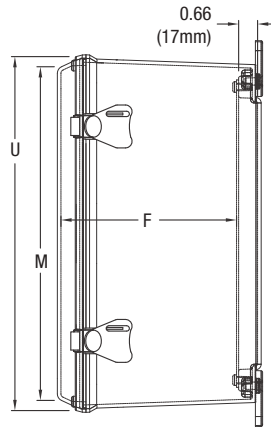
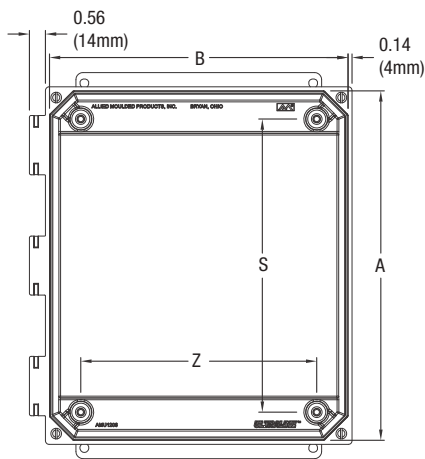
- UL 50 and UL 50E Types 1, 2, 3, 3R, 4, 4X, 12 and 13
- CSA C22.2 No. 94 Types 1, 2, 3, 3R, 4, 4X, 12 and 13
- Complies with:
 - NEMA Types 1, 2, 3, 3R, 4, 4X, 12 and 13
 - IEC 60529 Type IP66
 - RoHS directive

Construction

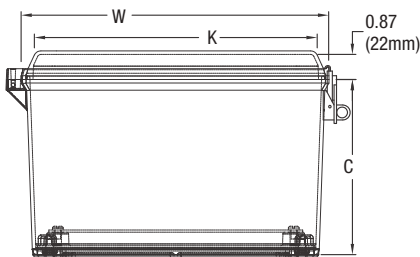
- Compression molded fiberglass reinforced polyester construction with flush, polycarbonate viewing window cover
- Allied Moulded ULTRAGUARD® fiberglass reinforced polyester material formulation - UV stabilized for outdoor use
- Opaque cover, base, feet, flanges — Light gray color (RAL 7035)
Note: foot models mounting hardware supplied in a bag. Flanged models are pre-assembled
- 316 stainless steel hinge pin and twist latches with padlock hasp (.375" dia.)
- Formed-In-Place (FIP) polyurethane gasket system encased in continuous channel
- Polycarbonate foot/flange mounting brackets with 316 stainless steel fasteners
- #10-32 threaded brass inserts are installed for back panel mounting

Accessories & Modifications

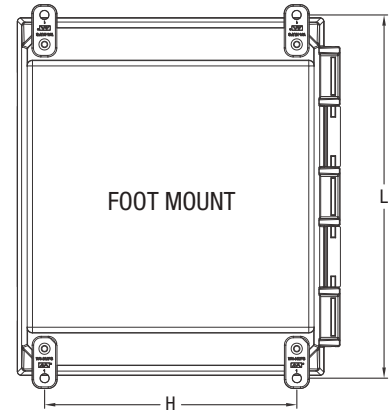
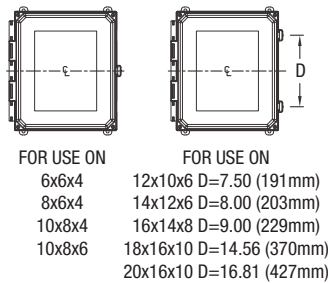
- Optional back panels and hinged front panels
- Custom holes and cutouts
- Molded-in color matching
- EMI/RFI shielding
- Factory-supplied silk screening



Note: Cover Removed for Clarity



LATCH LOCATIONS



*Nom. Wall Thickness: .13 (3mm)
 16" size: .16 (4mm)
 18" & 20" sizes: .19 (5mm)

Part No.	Box Size			Usable Depth	Panel Boss Centers			Back Panel Size			Flange Mount Centers		Foot Mount Centers		Cover Size				Window Dim. (H x W)
	A	B	C		F	S	Z	Ht.	Wid.	P/N	J	I	H	L	K	M	W	U	
AMU664TW AMU664TWF	6.04 153mm	6.26 159mm	4.13 105mm	3.99 101mm	4.25 108mm	4.25 108mm	4.81 122mm	4.81 122mm	PL66 PLA66	4.00 102mm	6.88, 6.75 175, 171mm	4.91 125mm	6.75 171mm	5.70 145mm	5.53 140mm	6.72 171mm	6.50 165mm	3.50 x 3.50 89mm x 89mm	
AMU864TW AMU864TWF	8.06 205mm	6.28 160mm	4.13 105mm	4.00 102mm	6.25 159mm	4.25 108mm	6.75 171mm	4.88 124mm	PL86 PLA86	4.00 102mm	8.88, 8.75 222, 226mm	4.91 125mm	8.75 222mm	5.75 146mm	7.53 191mm	6.72 171mm	8.50 216mm	5.25 x 4.00 133mm x 102mm	
AMU1084TW AMU1084TWF	10.05 255mm	8.27 210mm	4.13 105mm	4.00 102mm	8.25 210mm	6.25 159mm	8.75 222mm	6.88 175mm	PL108 PLA108	6.00 152mm	10.75 273mm	6.91 176mm	10.75 273mm	7.75 197mm	9.53 242mm	8.72 221mm	10.50 267mm	6.25 x 4.25 159mm x 108mm	
★AMU1086TW AMU1086TWF	10.04 255mm	8.26 210mm	6.13 156mm	6.10 155mm	8.25 210mm	6.25 159mm	8.75 222mm	6.88 175mm	PL108 PLA108	6.00 152mm	10.75 273mm	6.91 175mm	10.75 273mm	7.75 197mm	9.53 242mm	8.72 221mm	10.50 267mm	6.25 x 4.25 159mm x 108mm	
AMU1206TW AMU1206TWF	12.05 306mm	10.27 261mm	6.13 156mm	6.00 153mm	10.25 260mm	8.25 210mm	10.75 273mm	8.88 226mm	PL120 PLA120	8.00 203mm	12.75 324mm	8.82 224mm	12.70 323mm	9.75 248mm	11.53 293mm	10.72 272mm	12.50 318mm	8.38 x 6.50 213mm x 165mm	
AMU1426TW AMU1426TWF	14.05 357mm	12.27 312mm	6.13 156mm	6.00 152mm	12.25 311mm	10.25 260mm	12.75 324mm	10.88 276mm	PL142 PLA142	10.01 254mm	14.75, 14.62 375, 371mm	10.82 275mm	14.70 373mm	11.75 298mm	13.53 344mm	12.72 323mm	14.50 368mm	10.38 x 8.51 264mm x 216mm	
AMU1648TW AMU1648TWF	16.05 408mm	14.27 362mm	8.14 207mm	7.99 203mm	14.25 362mm	12.25 311mm	14.75 375mm	12.88 327mm	P164 PA164	12.00 305mm	16.75 425mm	11.47 291mm	16.91 430mm	13.75 349mm	15.53 394mm	14.72 374mm	16.50 419mm	12.38 x 10.50 314mm x 267mm	
AMU1860TW AMU1860TWF	18.12 460mm	16.34 415mm	10.13 257mm	10.00 254mm	16.26 413mm	14.26 362mm	16.88 429mm	14.88 378mm	P186 PA186	12.00 305mm	18.88, 18.76 480, 477mm	13.72 348mm	19.16 487mm	15.75 400mm	17.78 452mm	16.97 431mm	18.75 476mm	13.00 x 11.00 330mm x 267mm	
AMU2060TW AMU2060TWF	19.87 505mm	16.09 409mm	10.14 257mm	9.99 254mm	17.81 452mm	13.81 351mm	18.44 468mm	14.44 367mm	P206 PA206	10.00 254mm	21.28 540mm	13.16 334mm	20.53 521mm	15.75 400mm	19.53 496mm	16.72 425mm	20.50 521mm	14.00 x 12.00 356mm x 305mm	

All dimensions are in inches unless otherwise noted
 "I" dimensions with multiple numbers indicate slotted holes
 Enclosure base part numbers come standard with 4 separately bagged feet (ex. AMU664TW)
 Part numbers with "F" signify factory installed flanges (ex. AMU664TWF)
 Additional back panels found on page 128
 ★Coming soon!

Data subject to change without notice



STANDARDS
 ULTRAGUARD®
 FIBERGLASS
 AM SERIES
 AM-R
 AMHD-R
 CONTROL
 EMPIRE
 ULTRALINE®
 POLYLINE®
 ACCESSORIES
 MODS
 TECHNICAL
 INDEX